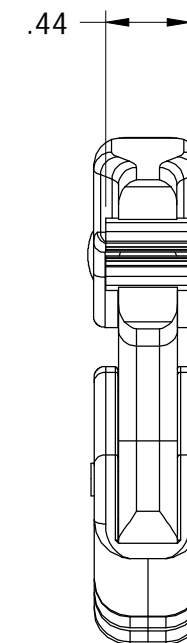
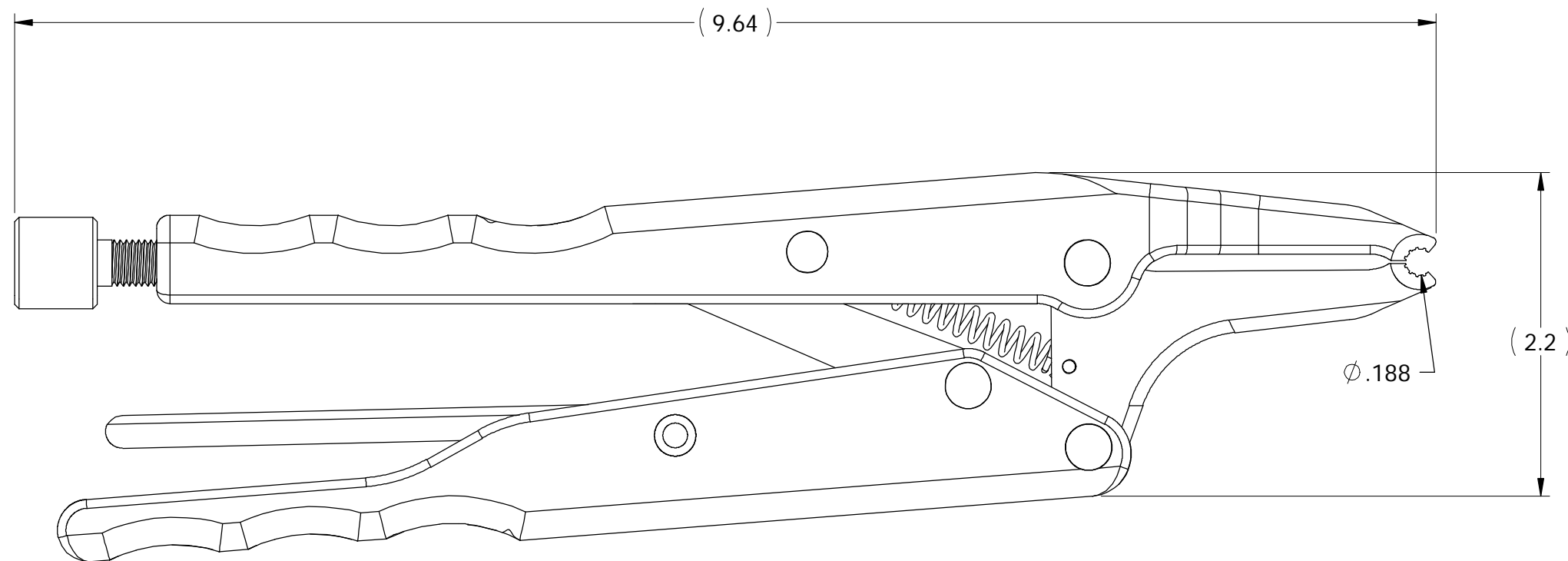
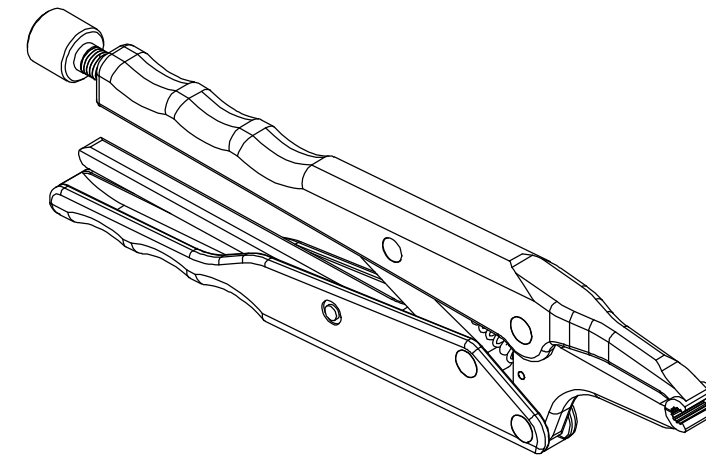


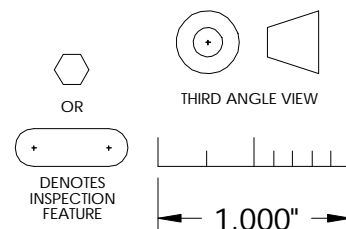
FOR REFERENCE ONLY


REVISIONS - AP101151

REV	DESCRIPTION	DATE/BY	DCN NO.



THIS DOCUMENT INCLUDING ALL DATA, SPECIFICATIONS, AND INFORMATION CONTAINED WITHIN IS CONFIDENTIAL AND PROPRIETARY TO BEERE PRECISION MEDICAL INSTRUMENTS BY RETENTION. THE RECIPIENT AGREES NOT TO REPRODUCE, DISCLOSE, OR MAKE USE OF ITS CONTENTS IN ANY WAY, WITHOUT PRIOR WRITTEN PERMISSION OF AN OFFICER OF BEERE PRECISION MEDICAL INSTRUMENTS.



AP101151	MATERIAL	HANDLE: 17-4 PH SST		UNSPECIFIED TOLERANCES		 beere PRECISION medical INSTRUMENTS 5307 95TH AVE KENOSHA, WI 53144 (262) 657-2800			
	HEAT TREAT	H900 42±2 Rc H950 47 ±2 Rc		.X ±.020 .XX ±.010 .XXX ±.005 .XXXX ±.0005	ANGLE ±1° MACHINE FINISH 32				
	FINISH	SCOTCHBRITE AS NEEDED PASSIVATE PER MP-001		CONCENTRICITY .005 T.I.R. SQUARENESS .005 T.I.R.		TITLE			
	REMOVE ALL BURRS	BREAK SHARP CORNERS	PART TO BE FREE OF DIRT, OIL AND CONTAMINANTS		DO NOT SCALE DRAWING	DO NOT SCALE DRAWING	ADJ PLR Ø.188 R-ROTR		
DRAWN		DATE	APPROVED		DATE	SIZE	SUPERSEDED NO.	DRAWING NO.	REV
MTG		11/27/96	[Signature]		DATE	B		AP101151	D
						SCALE	1:1	ILLUSTRATION	SHEET 1 OF 1