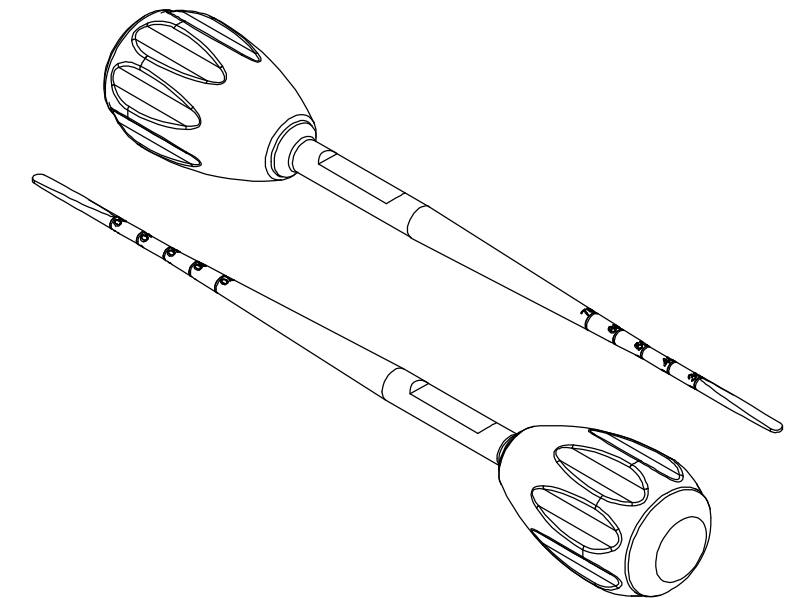
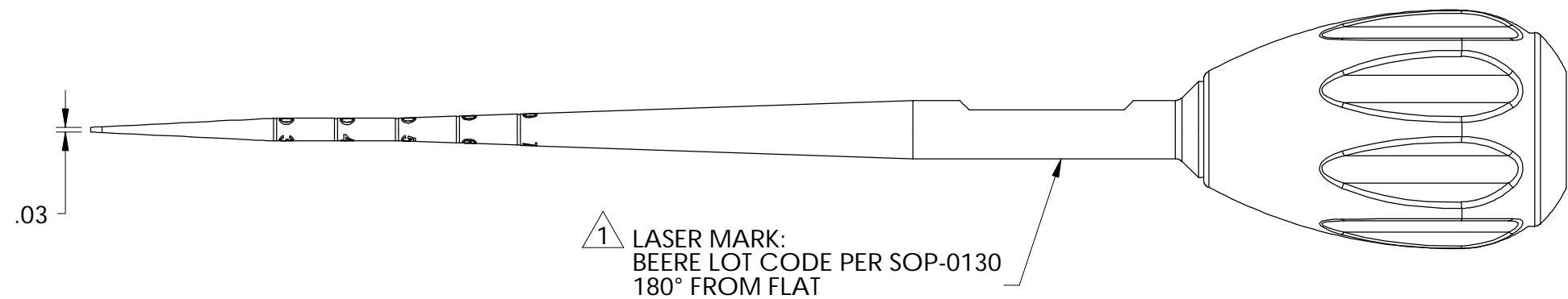
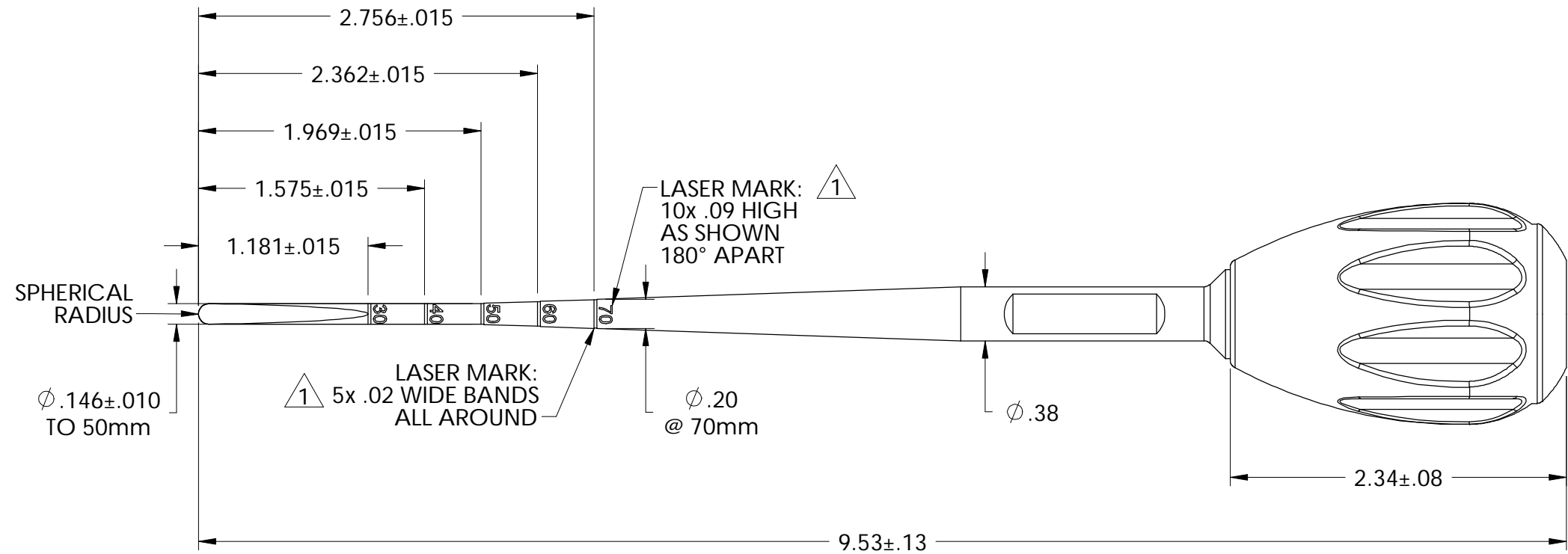


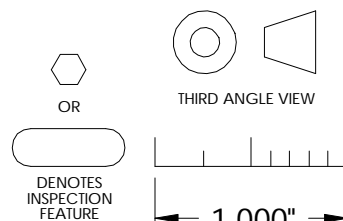
FOR REFERENCE ONLY

REVISIONS - BP101003-___(cc)

REV	DESCRIPTION	DATE/BY	DCN NO.



1 UNLESS OTHERWISE SPECIFIED



THIS DOCUMENT INCLUDING ALL DATA, SPECIFICATIONS, AND INFORMATION CONTAINED WITHIN IS CONFIDENTIAL AND PROPRIETARY TO BEERE PRECISION MEDICAL INSTRUMENTS BY RETENTION. THE RECIPIENT AGREES NOT TO REPRODUCE, DISCLOSE, OR MAKE USE OF ITS CONTENTS IN ANY WAY, WITHOUT PRIOR WRITTEN PERMISSION OF AN OFFICER OF BEERE PRECISION MEDICAL INSTRUMENTS.

BP101003-___(cc)	MATERIAL	UNSPECIFIED TOLERANCES				5307 95TH AVE KENOSHA, WI 53144 (262) 657-2800		
	HEAT TREAT	.X ±.020 .XX ±.010 .XXX ±.005 .XXXX ±.0005	ANGLE ±1° MACHINE FINISH 32/					
	FINISH	CONCENTRICITY .005 T.I.R. SQUARENESS .005 T.I.R.		TITLE		B-PRB, STR PLM IMP .146D		
	REMOVE ALL BURRS	BREAK SHARP CORNERS	DO NOT SCALE DRAWING		SIZE	SUPERSEDED NO.	DRAWING NO.	REV
PART TO BE FREE OF DIRT, OIL AND CONTAMINANTS		APPROVED	DATE	JMW	11/11/99	B	BP101003-___(cc)	C
				SCALE	1:1	ILLUSTRATION	SHEET	1 OF 1