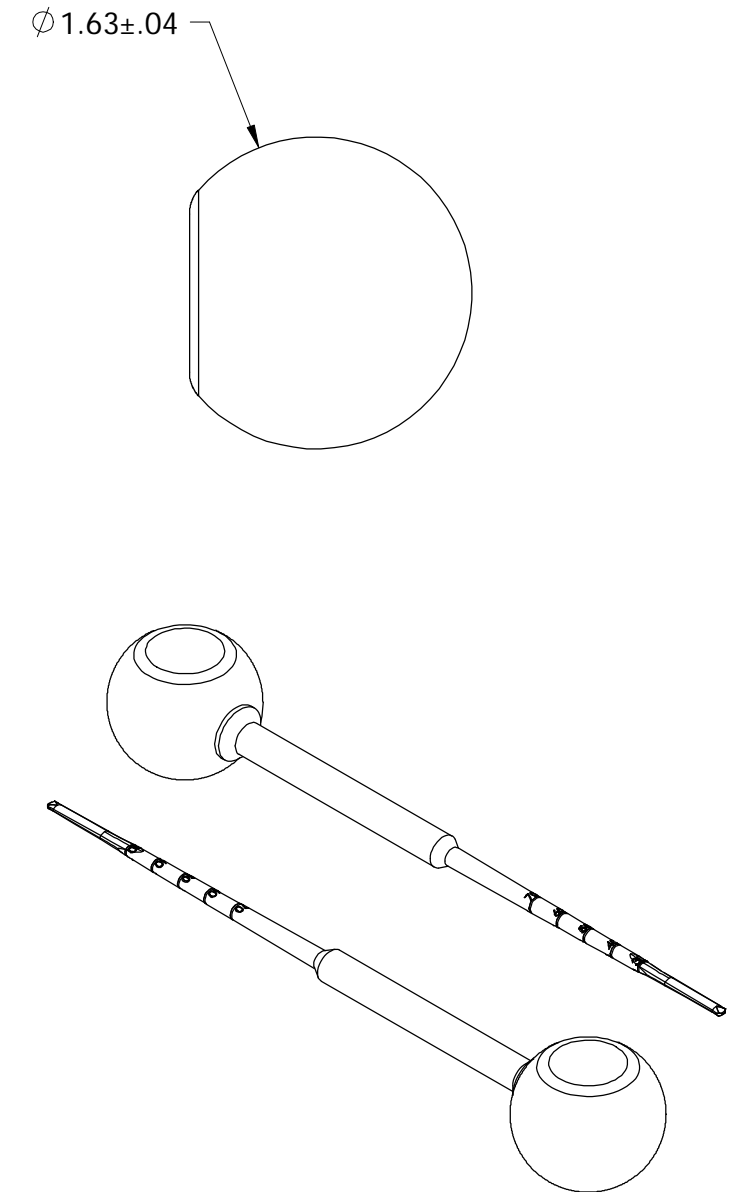
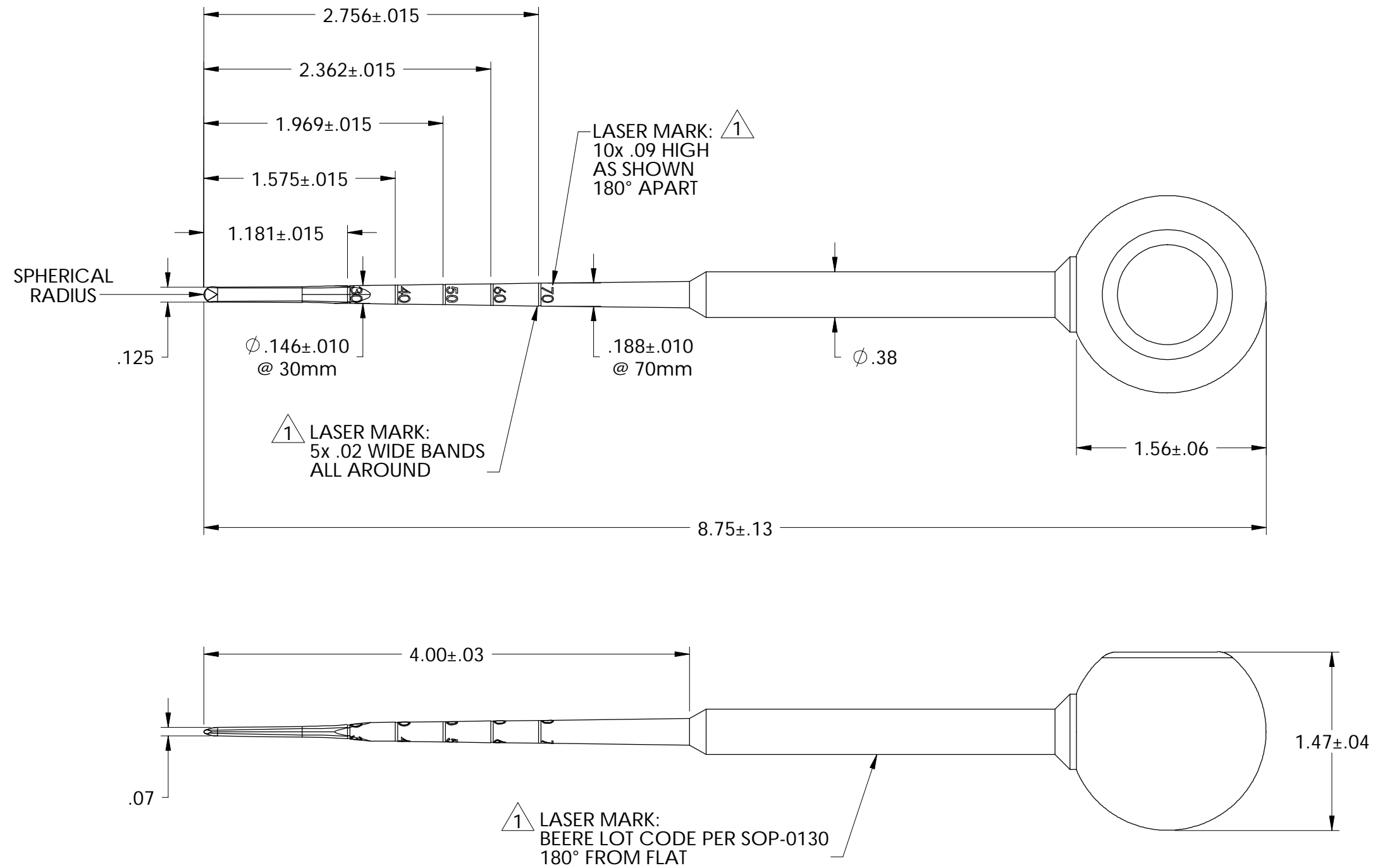
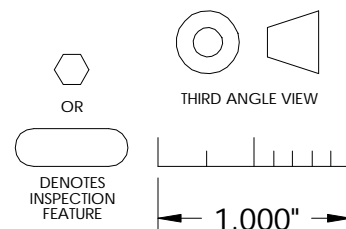


FOR REFERENCE ONLY

REVISIONS - BP111001-___(cc)			
REV	DESCRIPTION	DATE/BY	DCN NO.



1 UNLESS OTHERWISE SPECIFIED



THIS DOCUMENT INCLUDING ALL DATA, SPECIFICATIONS, AND INFORMATION CONTAINED WITHIN IS CONFIDENTIAL AND PROPRIETARY TO BEERE PRECISION MEDICAL INSTRUMENTS BY RETENTION. THE RECIPIENT AGREES NOT TO REPRODUCE, DISCLOSE, OR MAKE USE OF ITS CONTENTS IN ANY WAY, WITHOUT PRIOR WRITTEN PERMISSION OF AN OFFICER OF BEERE PRECISION MEDICAL INSTRUMENTS.

BP111001-___(cc)	MATERIAL	UNSPECIFIED TOLERANCES		 5307 95TH AVE KENOSHA, WI 53144 (262) 657-2800
	HEAT TREAT	.X ±.020 .XX ±.010 .XXX ±.005 .XXXX ±.0005	ANGLE ±1° MACHINE FINISH 32	
FINISH	CONCENTRICITY .005 T.I.R. SQUARENESS .005 T.I.R.	DO NOT SCALE DRAWING		TITLE
REMOVE ALL BURRS	BREAK SHARP CORNERS	DRAWN LLP	DATE 03/17/04	B-PRB, STR BALL .125W S-TPR 8.75"
PART TO BE FREE OF DIRT, OIL AND CONTAMINANTS		APPROVED	DATE	NO. BP111001-___(cc)
				ILLUSTRATION
				SCALE 1:1
				SHEET 1 OF 1