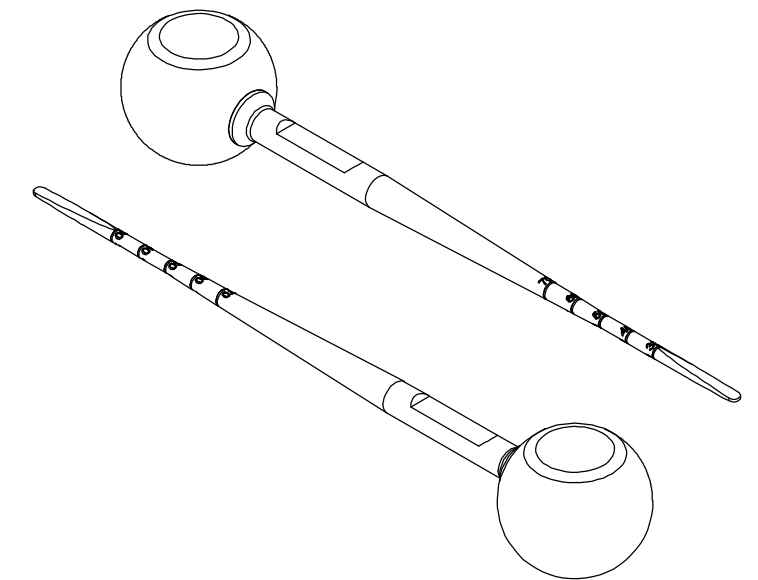
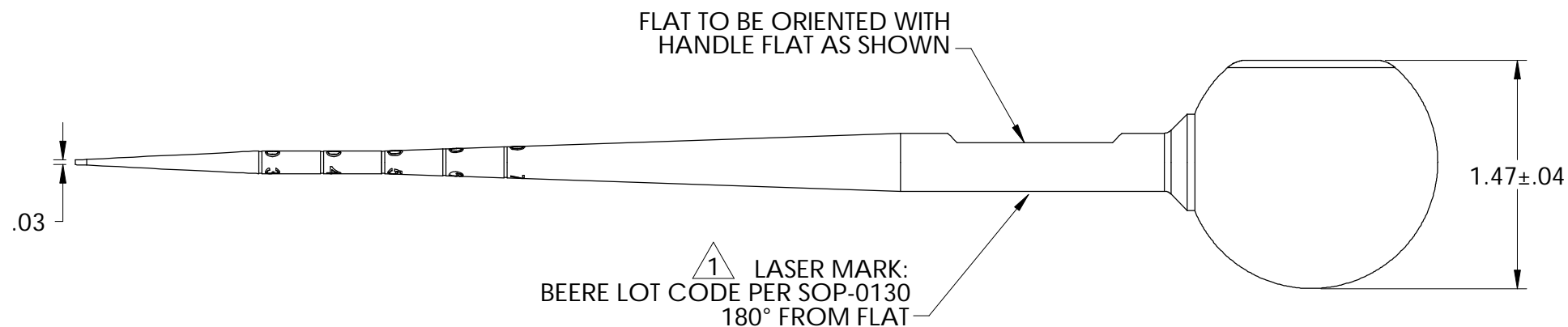
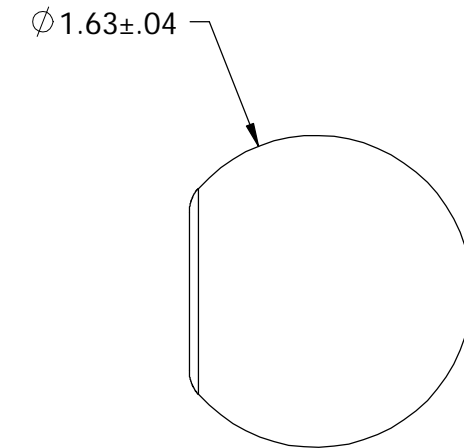
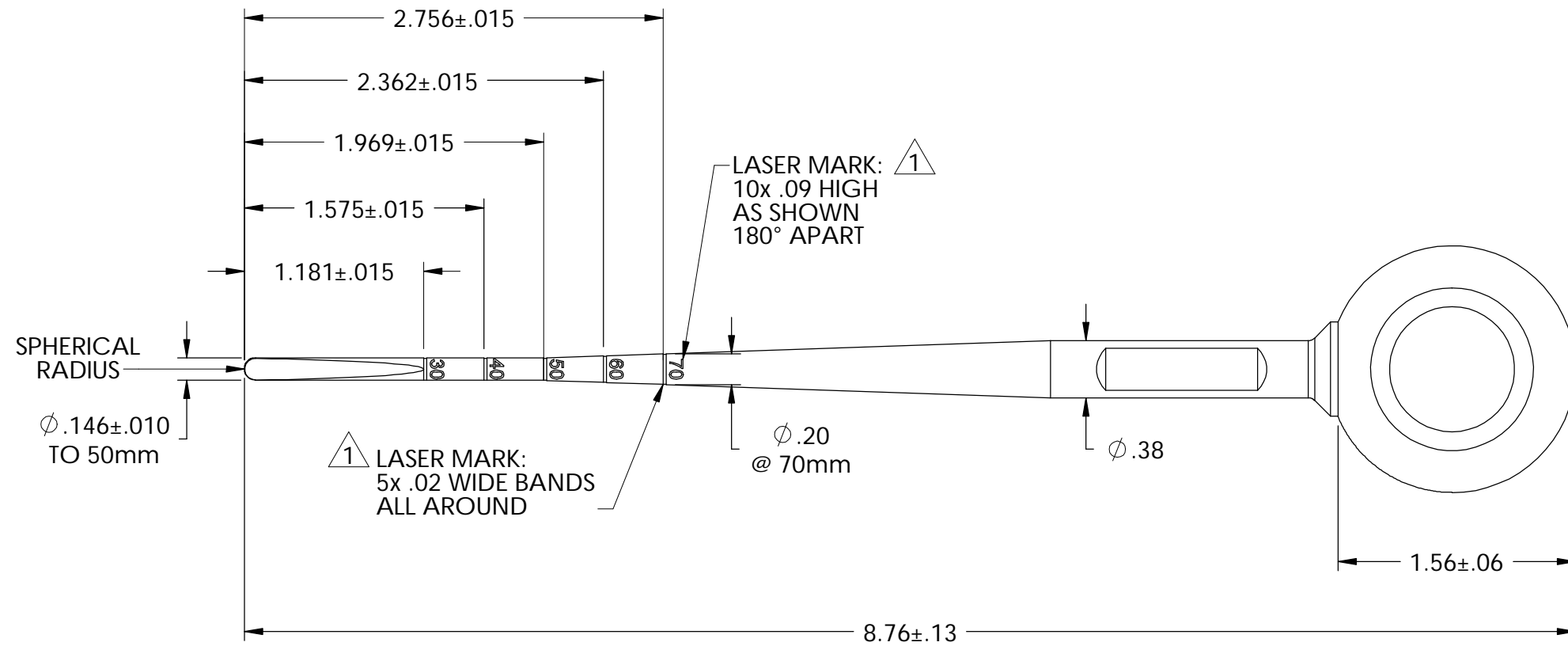


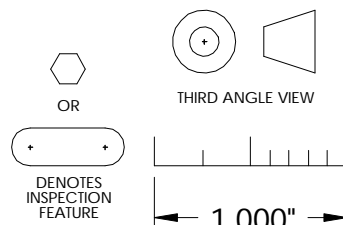
# FOR REFERENCE ONLY

REVISIONS - BP111003-\_\_(cc)

REV	DESCRIPTION	DATE/BY	DCN NO.



$\triangle 1$  UNLESS OTHERWISE SPECIFIED



BP111003-__(cc)	MATERIAL	UNSPECIFIED TOLERANCES		<b>beere</b> PRECISION <b>medical</b> INSTRUMENTS		5307 95TH AVE KENOSHA, WI 53144 (262) 657-2800	
	HEAT TREAT	X ±.020 XX ±.010 XXX ±.005 XXXX ±.0005	ANGLE ±1° MACHINE FINISH <input checked="" type="checkbox"/>			TITLE <b>B-PRB, STR BALL .146D</b> <b>8.76"</b>	
	FINISH	CONCENTRICITY .005 T.I.R. SQUARENESS .005 T.I.R.		SIZE <b>B</b>	SUPERSEDED NO.		
	REMOVE ALL BURRS	BREAK SHARP CORNERS	DO NOT SCALE DRAWING	DATE <b>06/11/04</b>	SCALE <b>1:1</b>	ILLUSTRATION	
PART TO BE FREE OF DIRT, OIL AND CONTAMINANTS		APPROVED	DATE				

THIS DOCUMENT INCLUDING ALL DATA, SPECIFICATIONS, AND INFORMATION CONTAINED WITHIN IS CONFIDENTIAL AND PROPRIETARY TO BEERE PRECISION MEDICAL INSTRUMENTS BY RETENTION. THE RECIPIENT AGREES NOT TO REPRODUCE, DISCLOSE, OR MAKE USE OF ITS CONTENTS IN ANY WAY, WITHOUT PRIOR WRITTEN PERMISSION OF AN OFFICER OF BEERE PRECISION MEDICAL INSTRUMENTS.