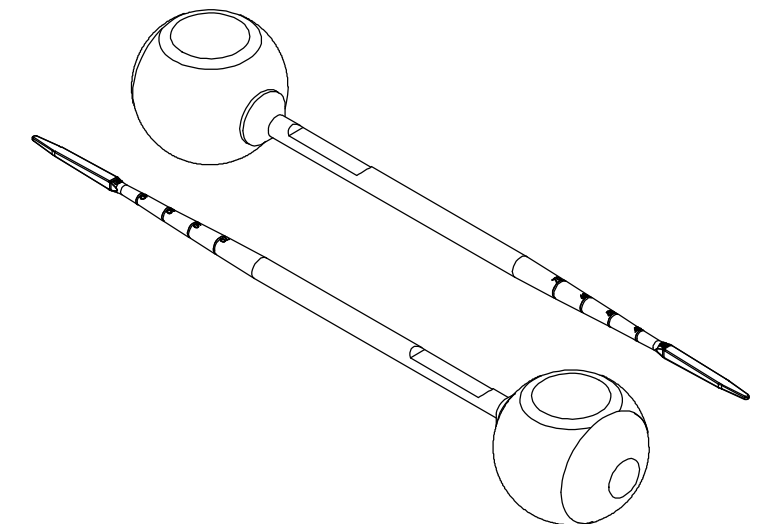
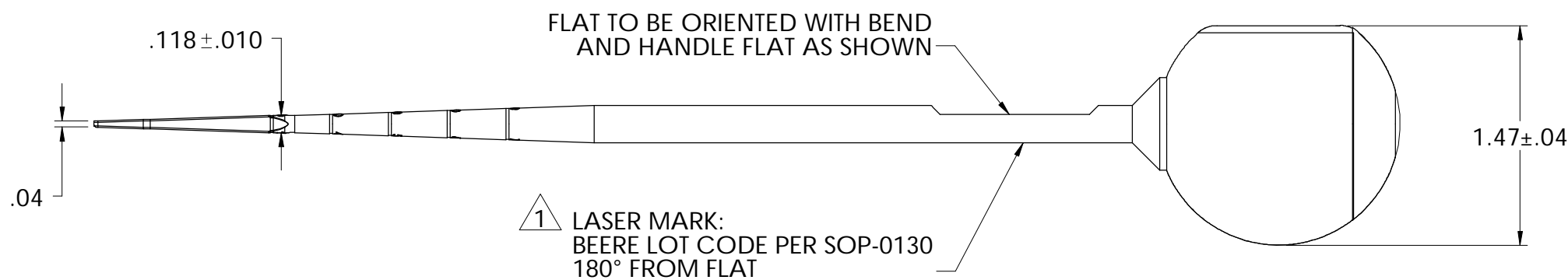
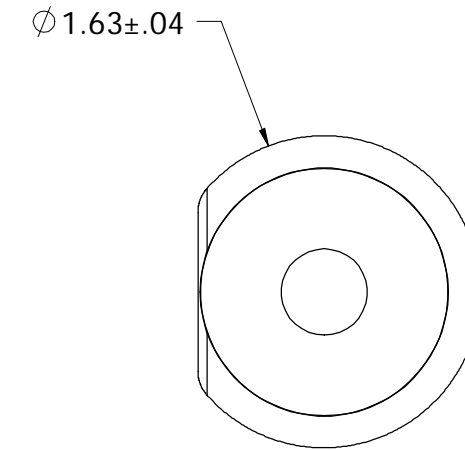
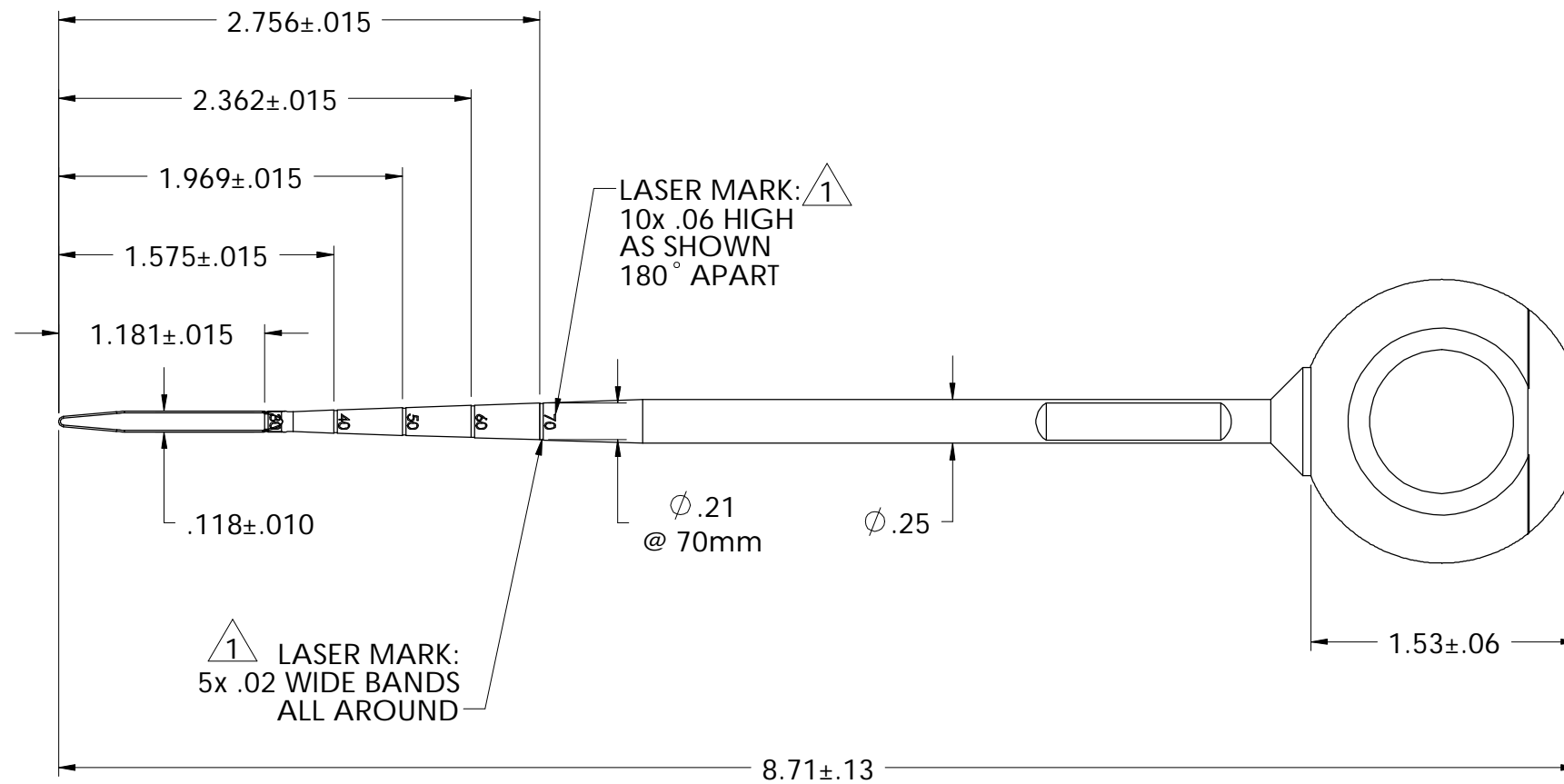


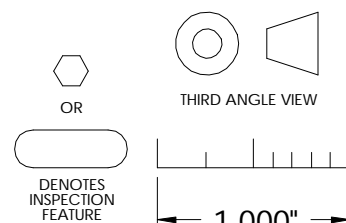
# FOR REFERENCE ONLY

REVISIONS - BP121017-\_\_\_(cc)

REV	DESCRIPTION	DATE/BY	DCN NO.



1 UNLESS OTHERWISE SPECIFIED



THIS DOCUMENT INCLUDING ALL DATA, SPECIFICATIONS, AND INFORMATION CONTAINED WITHIN IS CONFIDENTIAL AND PROPRIETARY TO BEERE PRECISION MEDICAL INSTRUMENTS BY RETENTION. THE RECIPIENT AGREES NOT TO REPRODUCE, DISCLOSE, OR MAKE USE OF ITS CONTENTS IN ANY WAY, WITHOUT PRIOR WRITTEN PERMISSION OF AN OFFICER OF BEERE PRECISION MEDICAL INSTRUMENTS.

BP121017-___(cc)	MATERIAL	UNSPECIFIED TOLERANCES				5307 95TH AVE KENOSHA, WI 53144 (262) 657-2800	
	HEAT TREAT	X ±.020 XX ±.010 XXX ±.005 XXXX ±.0005	ANGLE ±1° MACHINE FINISH 32				
	FINISH	CONCENTRICITY .005 T.I.R. SQUARENESS .005 T.I.R.		TITLE <b>B-PRB, STR BALL IMP LENKE</b> 8.71"			
	REMOVE ALL BURRS	BREAK SHARP CORNERS	DO NOT SCALE DRAWING				
PART TO BE FREE OF DIRT, OIL AND CONTAMINANTS	DRAWN DAM	DATE 04/13/05	SIZE B	SUPERSEDED NO.	DRAWING NO. BP121017-___(cc)	REV 00	
	APPROVED	DATE	SCALE 1:1	ILLUSTRATION	SHEET 1 OF 1		