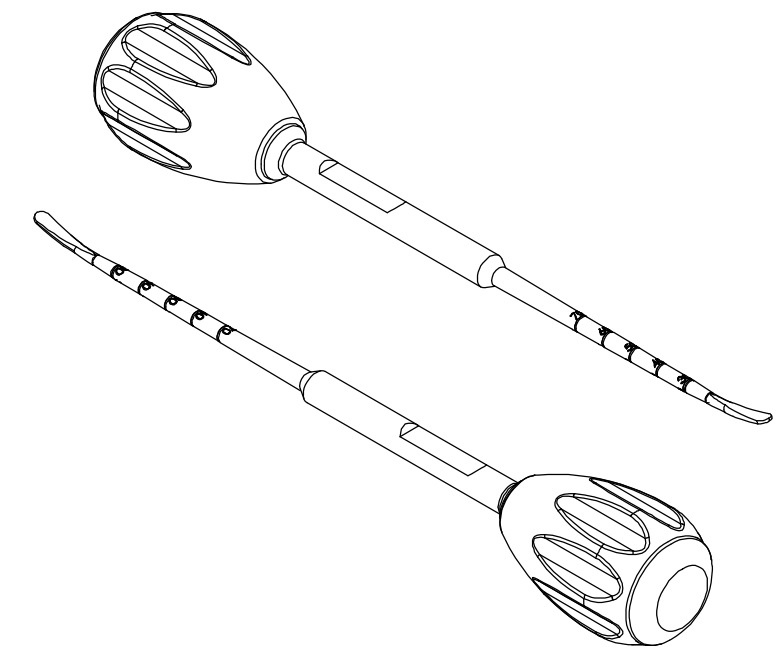
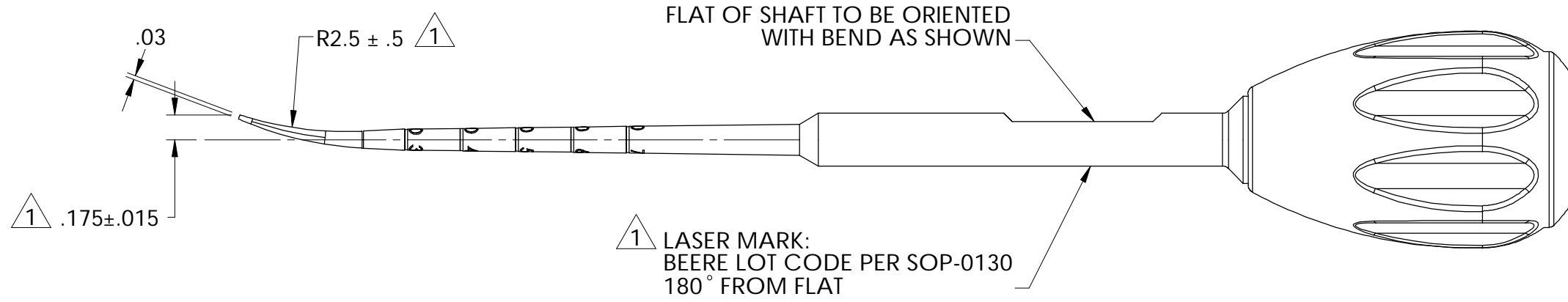
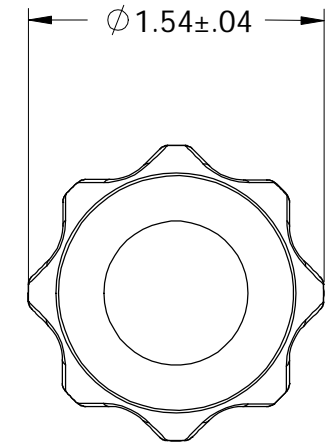
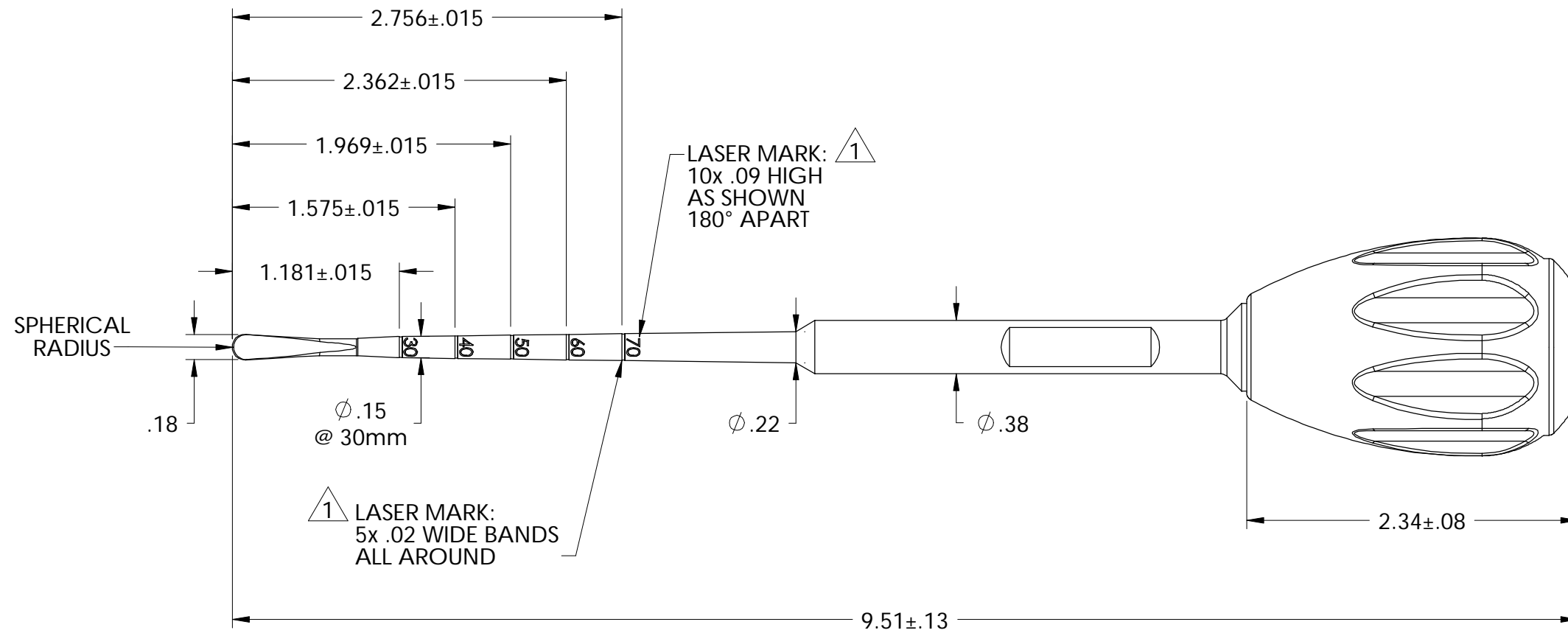


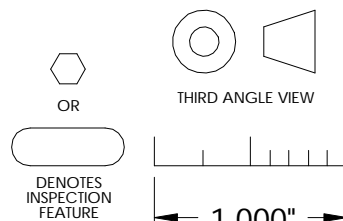
FOR REFERENCE ONLY

REVISIONS - BP201002-__(cc)

REV	DESCRIPTION	DATE/BY	DCN NO.



1 UNLESS OTHERWISE SPECIFIED BY CUSTOMER



THIS DOCUMENT INCLUDING ALL DATA, SPECIFICATIONS, AND INFORMATION CONTAINED WITHIN IS CONFIDENTIAL AND PROPRIETARY TO BEERE PRECISION MEDICAL INSTRUMENTS BY RETENTION. THE RECIPIENT AGREES NOT TO REPRODUCE, DISCLOSE, OR MAKE USE OF ITS CONTENTS IN ANY WAY, WITHOUT PRIOR WRITTEN PERMISSION OF AN OFFICER OF BEERE PRECISION MEDICAL INSTRUMENTS.

BP201002-__(cc)	MATERIAL	UNSPECIFIED TOLERANCES		5307 95TH AVE KENOSHA, WI 53144 (262) 657-2800			
	HEAT TREAT	X ±.020 XX ±.010 XXX ±.005 XXXX ±.0005	ANGLE ±1° MACHINE FINISH 32				
	FINISH	CONCENTRICITY .005 T.I.R. SQUARENESS .005 T.I.R.		TITLE			
	REMOVE ALL BURRS	BREAK SHARP CORNERS	DO NOT SCALE DRAWING		B-PRB, CRV PLM IMP D-BIL S-TPR 9.51"		
PART TO BE FREE OF DIRT, OIL AND CONTAMINANTS	APPROVED	DATE	DATE	SIZE	SUPERSEDED NO.	DRAWING NO.	REV
	JAR	03/30/98		B		BP201002-__(cc)	C
				SCALE	1:1	ILLUSTRATION	SHEET 1 OF 1