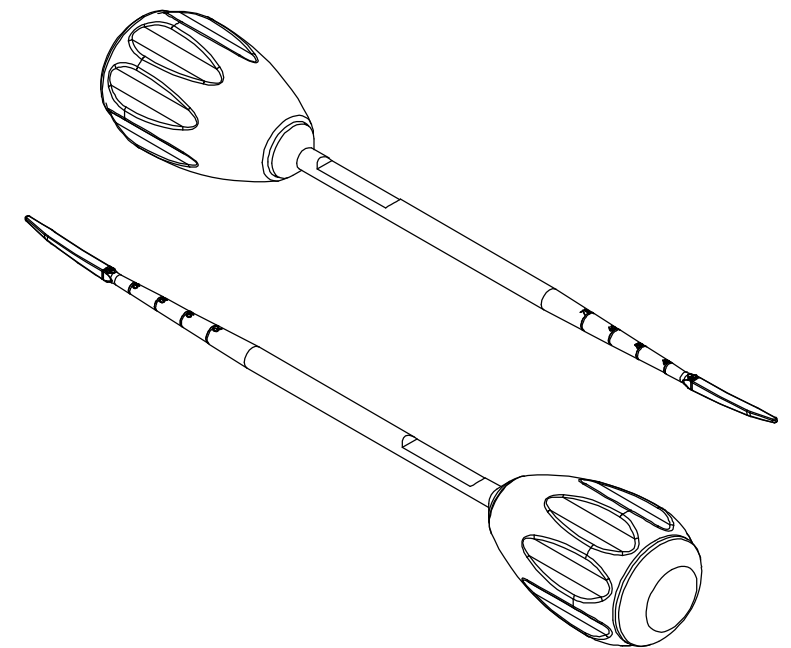
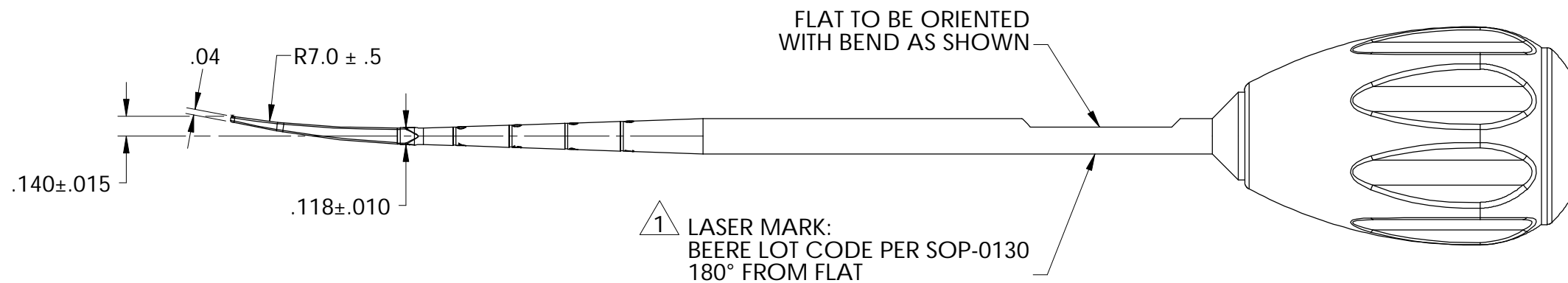
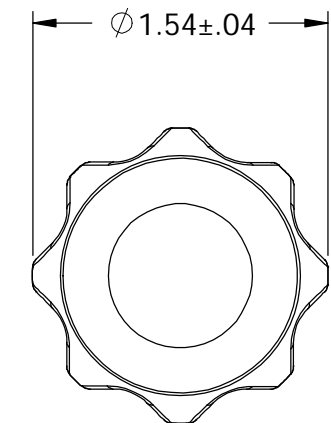
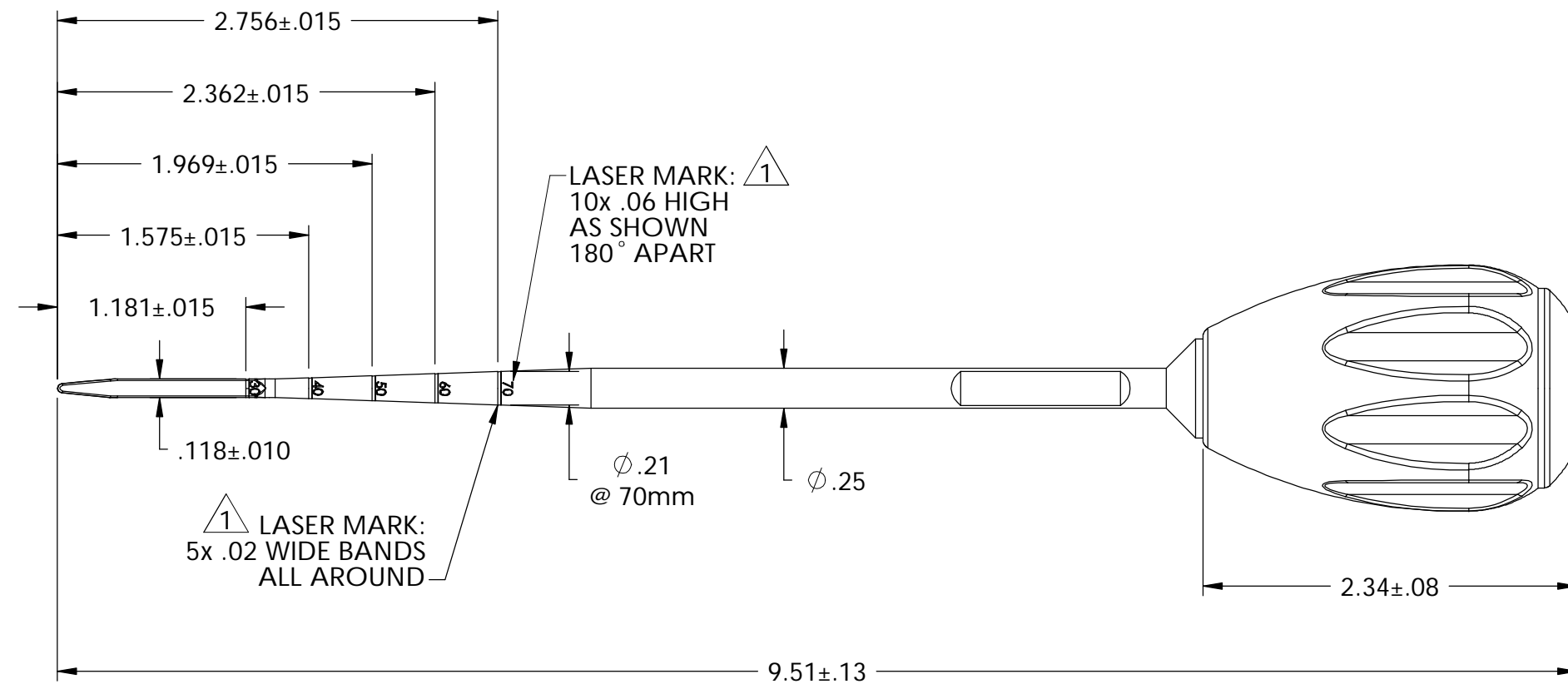


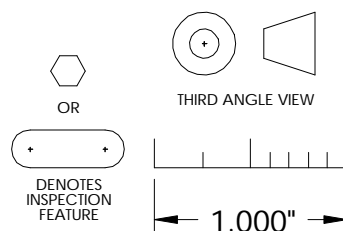
# FOR REFERENCE ONLY

REVISIONS - BP201017-\_\_\_(cc)

REV	DESCRIPTION	DATE/BY	DCN NO.



THIS DOCUMENT INCLUDING ALL DATA, SPECIFICATIONS, AND INFORMATION CONTAINED WITHIN IS CONFIDENTIAL AND PROPRIETARY TO BEERE PRECISION MEDICAL INSTRUMENTS BY RETENTION. THE RECIPIENT AGREES NOT TO REPRODUCE, DISCLOSE, OR MAKE USE OF ITS CONTENTS IN ANY WAY, WITHOUT PRIOR WRITTEN PERMISSION OF AN OFFICER OF BEERE PRECISION MEDICAL INSTRUMENTS.



BP201017-___(cc)	MATERIAL	UNSPECIFIED TOLERANCES				5307 95TH AVE KENOSHA, WI 53144 (262) 657-2800	
	HEAT TREAT	X ±.020 XX ±.010 XXX ±.005 XXXX ±.0005	ANGLE ±1° MACHINE FINISH 32				
	FINISH	CONCENTRICITY .005 T.I.R. SQUARENESS .005 T.I.R.		TITLE <b>B-PRB, CRV PM IMP LENKE</b> 9.51"			
	REMOVE ALL BURRS BREAK SHARP CORNERS PART TO BE FREE OF DIRT, OIL AND CONTAMINANTS	DRAWN DAM APPROVED	DATE 05/09/05 DATE			SIZE B SCALE 1:1	SUPERSEDED NO. DRAWING NO. BP201017-___(cc)