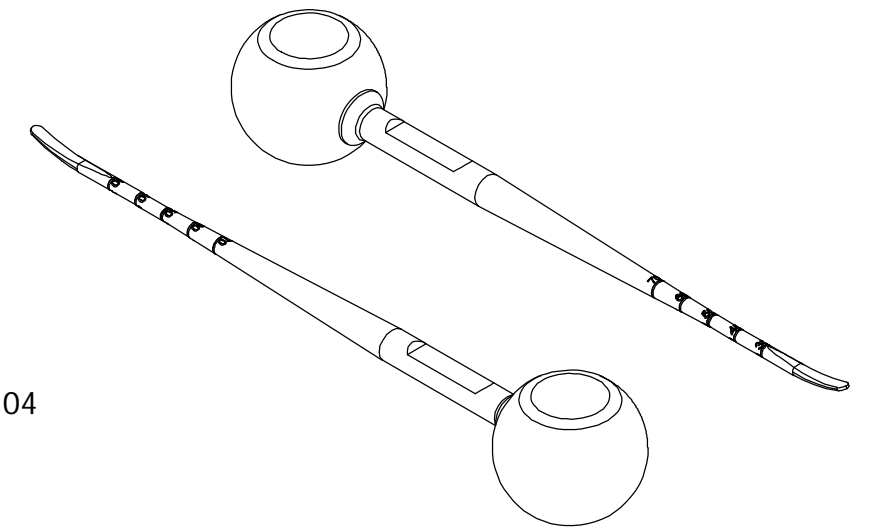
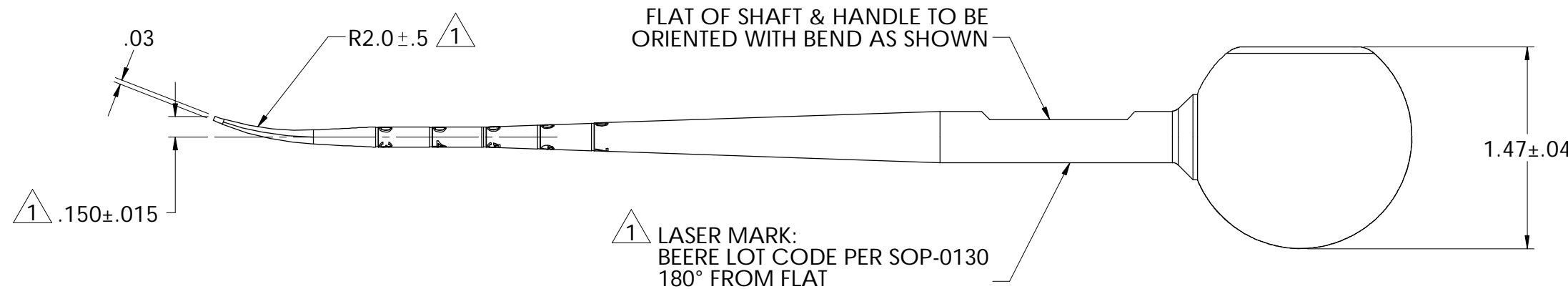
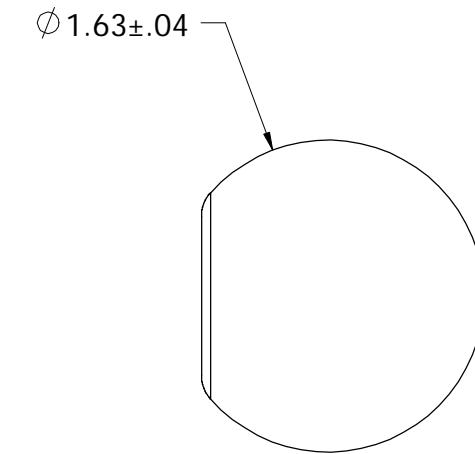
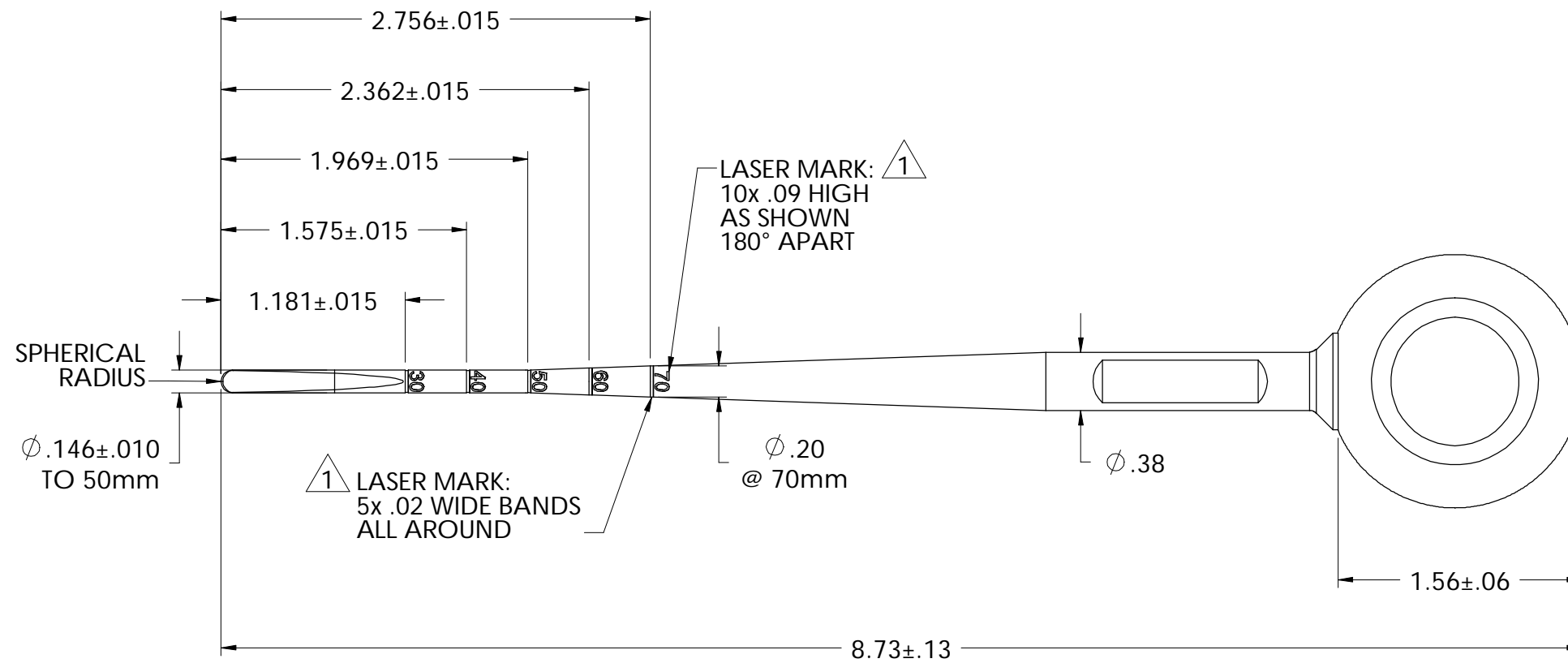


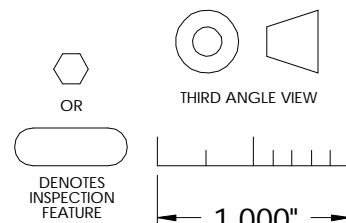
# FOR REFERENCE ONLY

REVISIONS - BP211003-\_\_(cc)

REV	DESCRIPTION	DATE/BY	DCN NO.



1 UNLESS OTHERWISE SPECIFIED



THIS DOCUMENT INCLUDING ALL DATA, SPECIFICATIONS, AND INFORMATION CONTAINED WITHIN IS CONFIDENTIAL AND PROPRIETARY TO BEERE PRECISION MEDICAL INSTRUMENTS BY RETENTION. THE RECIPIENT AGREES NOT TO REPRODUCE, DISCLOSE, OR MAKE USE OF ITS CONTENTS IN ANY WAY, WITHOUT PRIOR WRITTEN PERMISSION OF AN OFFICER OF BEERE PRECISION MEDICAL INSTRUMENTS.

BP211003-__(cc)	MATERIAL	UNSPECIFIED TOLERANCES		 5307 95TH AVE KENOSHA, WI 53144 (262) 657-2800		
	HEAT TREAT	X ±.020 XX ±.010 .XXX ±.005 .XXXX ±.0005	ANGLE ±1° MACHINE FINISH 32			
	FINISH	CONCENTRICITY .005 T.I.R. SQUARENESS .005 T.I.R.		TITLE <b>B-PRB, CRV BALL .146D</b> 8.73"		
	REMOVE ALL BURRS	BREAK SHARP CORNERS	DO NOT SCALE DRAWING			
PART TO BE FREE OF DIRT, OIL AND CONTAMINANTS	DRAWN DAM	DATE 06/11/04	SIZE B	SUPERSEDED NO.	DRAWING NO. BP211003-__(cc)	REV B
	APPROVED	DATE	SCALE 1:1	ILLUSTRATION	SHEET 1 OF 1	