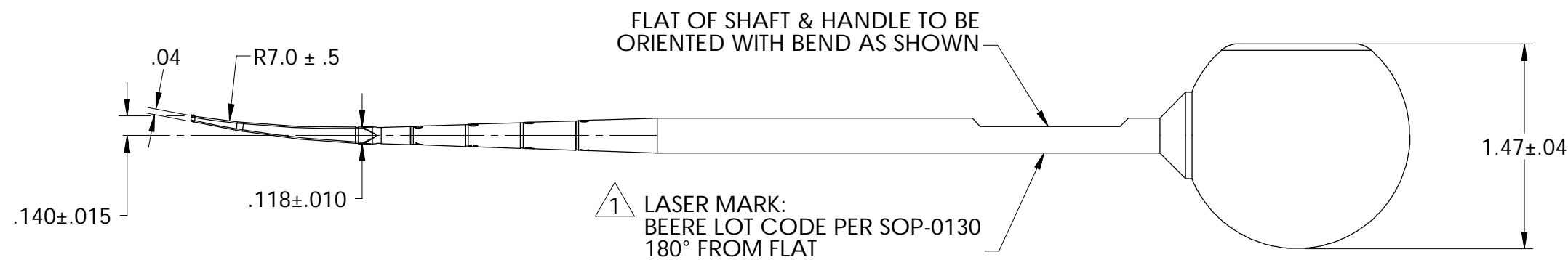
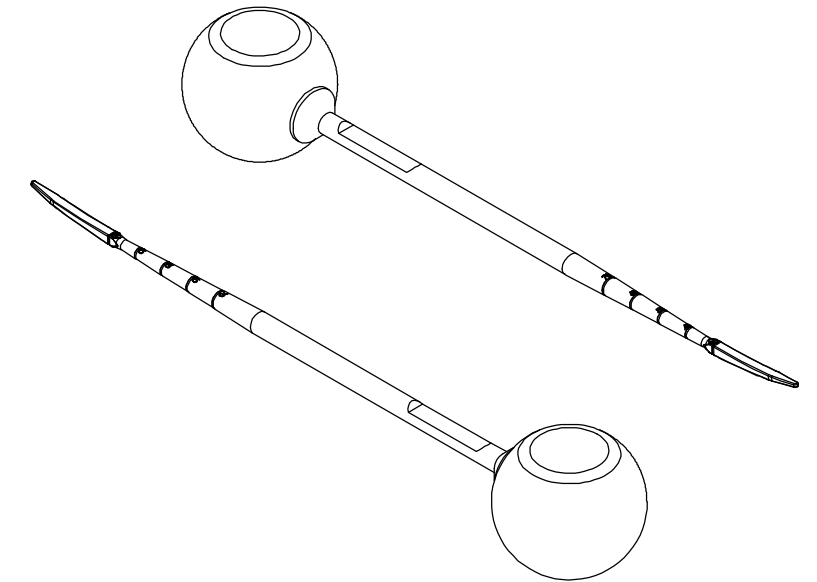
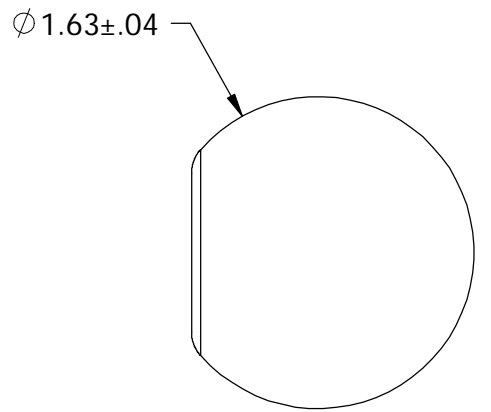
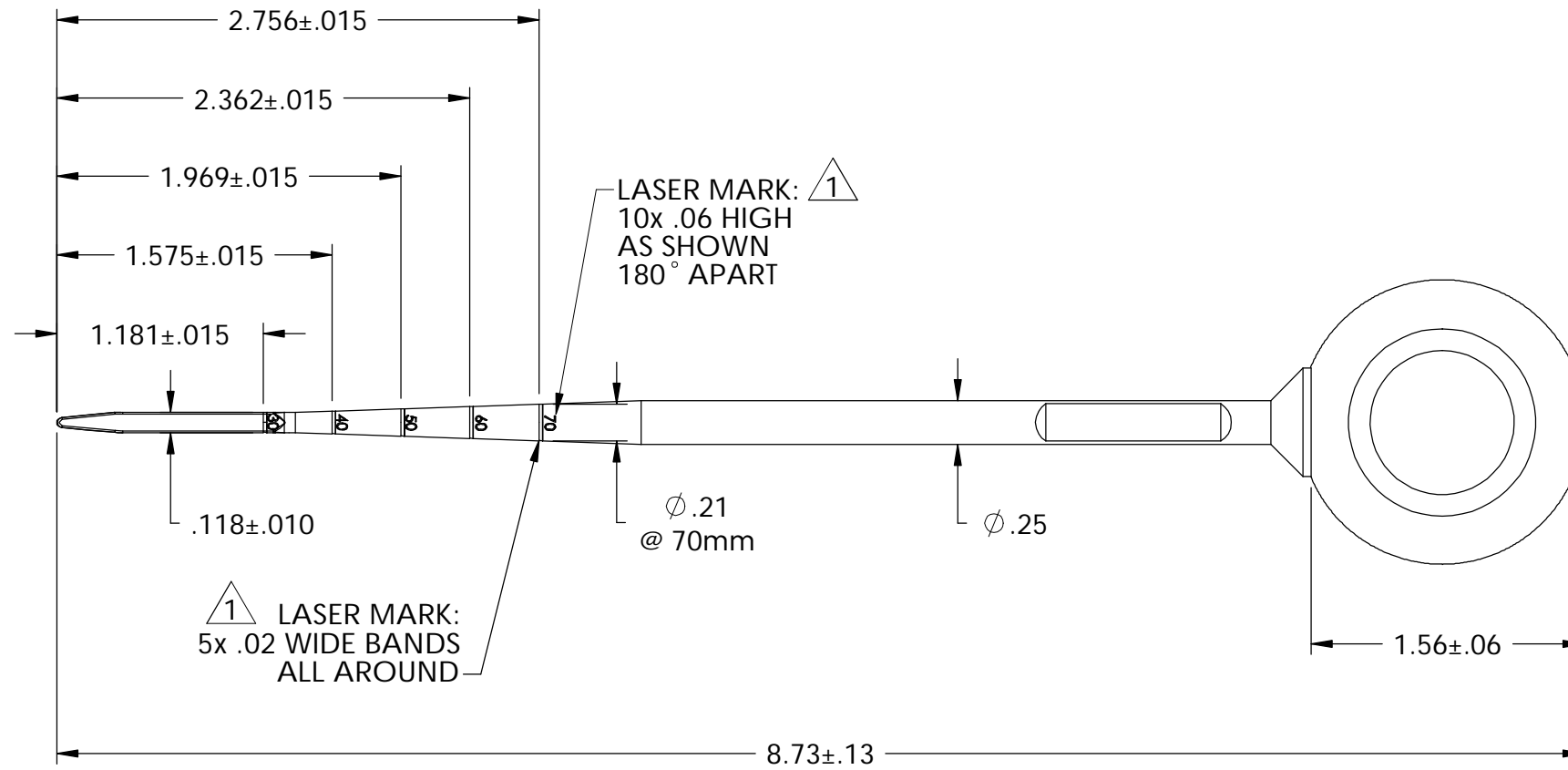


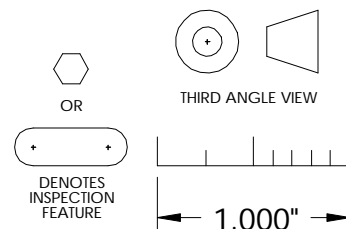
FOR REFERENCE ONLY

REVISIONS - BP211017-___(cc)

REV	DESCRIPTION	DATE/BY	DCN NO.



1 UNLESS OTHERWISE SPECIFIED



BP211017-___(cc)	MATERIAL	UNSPECIFIED TOLERANCES		 5307 95TH AVE KENOSHA, WI 53144 (262) 657-2800	
	HEAT TREAT	X ±.020	ANGLE ±1°		
	FINISH	XX ±.010	MACHINE FINISH <input checked="" type="checkbox"/>		
	REMOVE ALL BURRS	CONCENTRICITY .005 T.I.R.	SQUARENESS .005 T.I.R.	TITLE	
PART TO BE FREE OF DIRT, OIL AND CONTAMINANTS	DO NOT SCALE DRAWING	DRAWN KMW	DATE 06/15/04	SIZE B	SUPERSEDED NO.
		APPROVED	DATE	SCALE 1:1	DRAWING NO. BP211017-___(cc)
					REV 02
					ILLUSTRATION SHEET 1 OF 1

THIS DOCUMENT INCLUDING ALL DATA, SPECIFICATIONS, AND INFORMATION CONTAINED WITHIN IS CONFIDENTIAL AND PROPRIETARY TO BEERE PRECISION MEDICAL INSTRUMENTS BY RETENTION. THE RECIPIENT AGREES NOT TO REPRODUCE, DISCLOSE, OR MAKE USE OF ITS CONTENTS IN ANY WAY, WITHOUT PRIOR WRITTEN PERMISSION OF AN OFFICER OF BEERE PRECISION MEDICAL INSTRUMENTS.