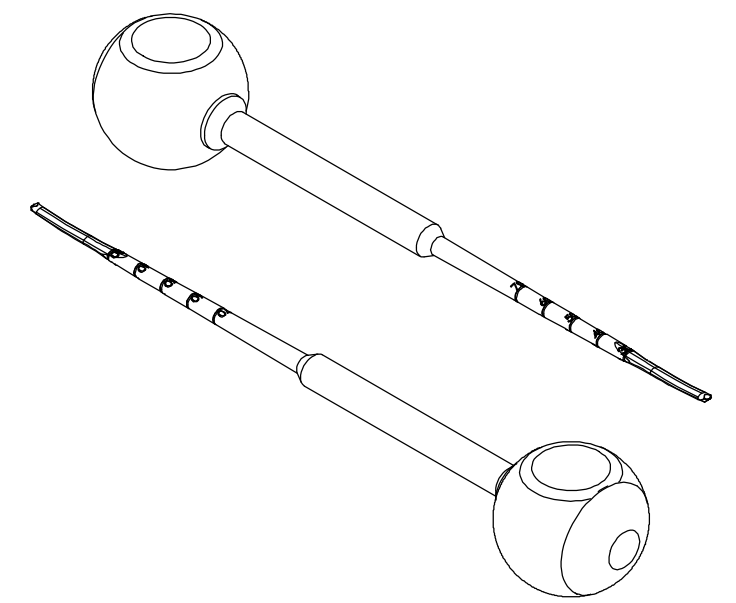
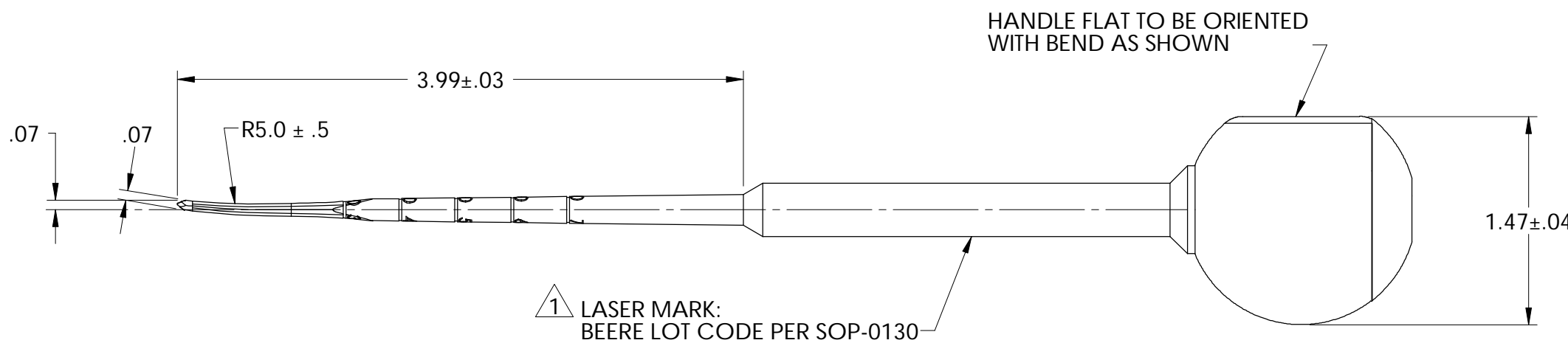
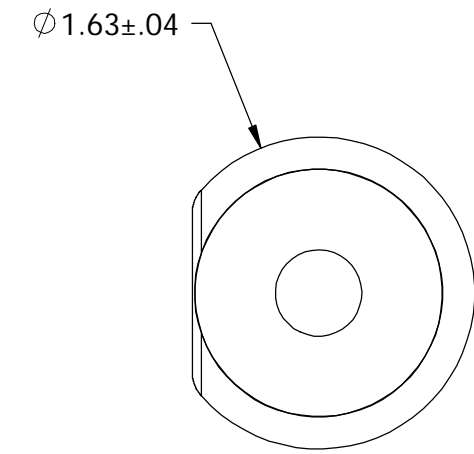
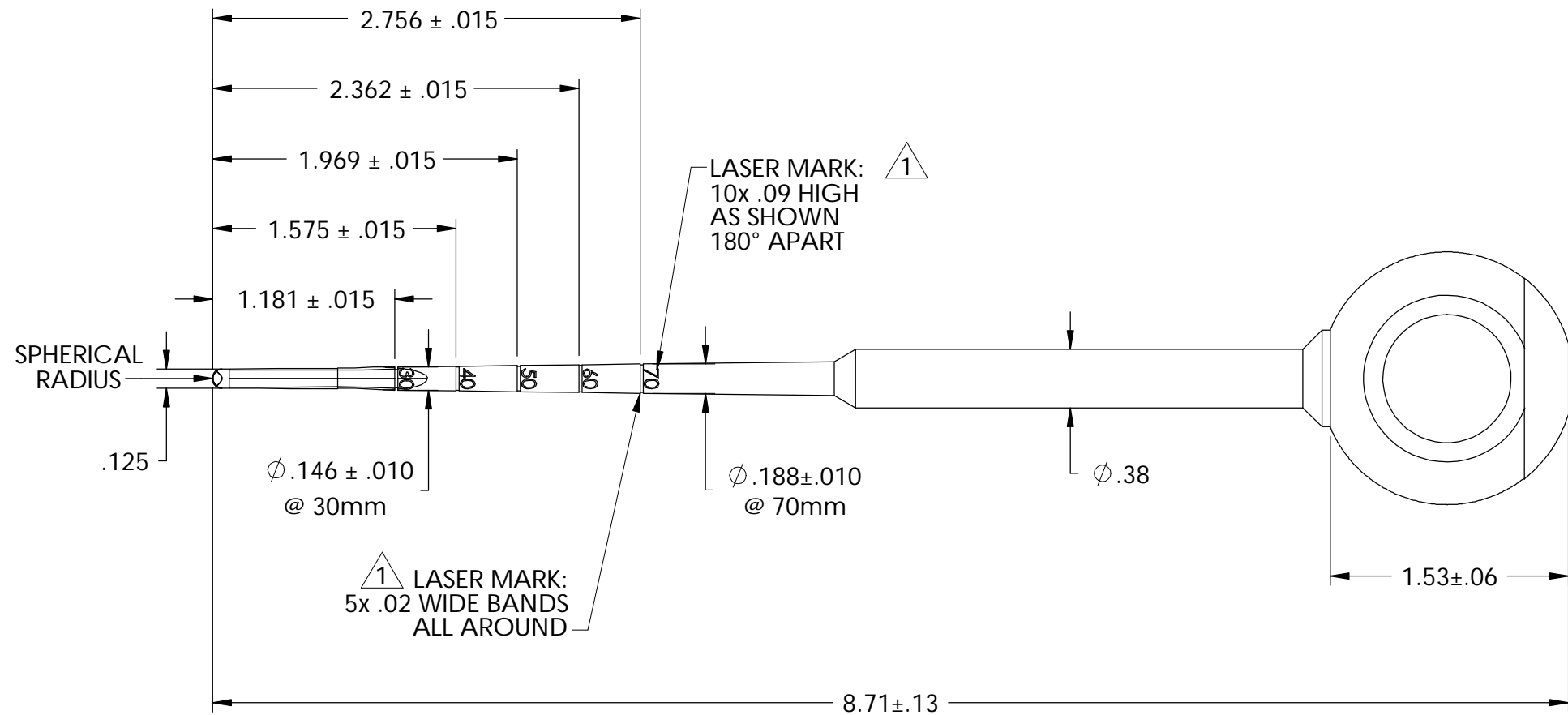


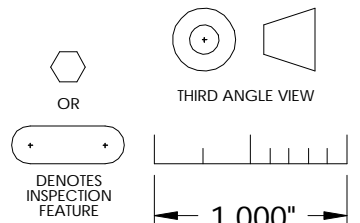
FOR REFERENCE ONLY

REVISIONS - BP221001-___(cc)

REV	DESCRIPTION	DATE/BY	DCN NO.



1 UNLESS OTHERWISE SPECIFIED



BP221001-___(cc)	MATERIAL	UNSPECIFIED TOLERANCES		 5307 95TH AVE KENOSHA, WI 53144 (262) 657-2800	
	HEAT TREAT	X ±.020	ANGLE ±1°		
	FINISH	XX ±.010	MACHINE FINISH 32		
	REMOVE ALL BURRS	XXX ±.005	DO NOT SCALE DRAWING		
PART TO BE FREE OF DIRT, OIL AND CONTAMINANTS	BREAK SHARP CORNERS	CONCENTRICITY .005 T.I.R.	SQUARENESS .005 T.I.R.	DRAWN KBR	DATE 05/09/05
				SIZE B	SUPERSEDED NO.
				SCALE 1:1	ILLUSTRATION
				DRAWING NO. BP221001-___(cc)	REV A
				SHEET 1 OF 1	

THIS DOCUMENT INCLUDING ALL DATA, SPECIFICATIONS, AND INFORMATION CONTAINED WITHIN IS CONFIDENTIAL AND PROPRIETARY TO BEERE PRECISION MEDICAL INSTRUMENTS BY RETENTION. THE RECIPIENT AGREES NOT TO REPRODUCE, DISCLOSE, OR MAKE USE OF ITS CONTENTS IN ANY WAY, WITHOUT PRIOR WRITTEN PERMISSION OF AN OFFICER OF BEERE PRECISION MEDICAL INSTRUMENTS.