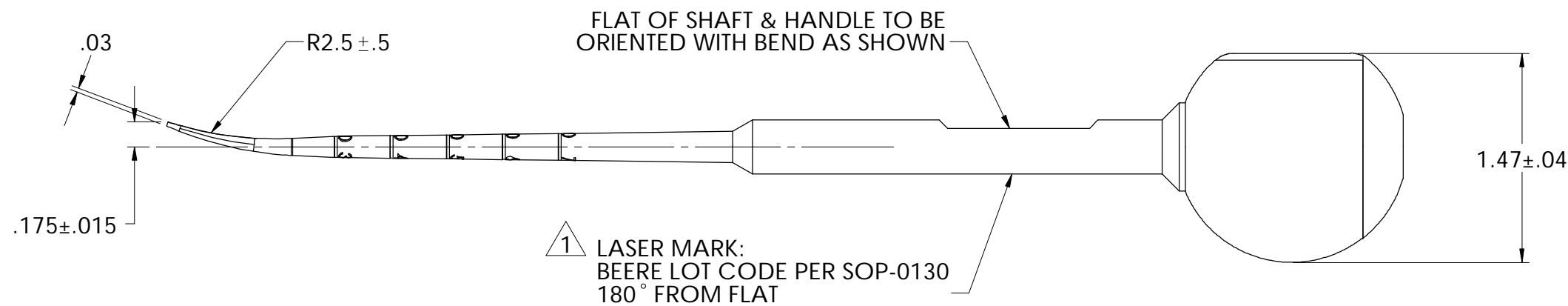
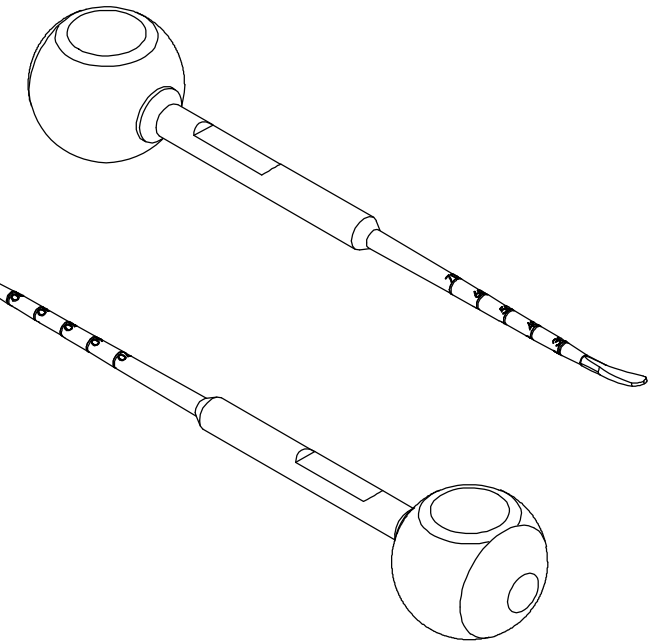
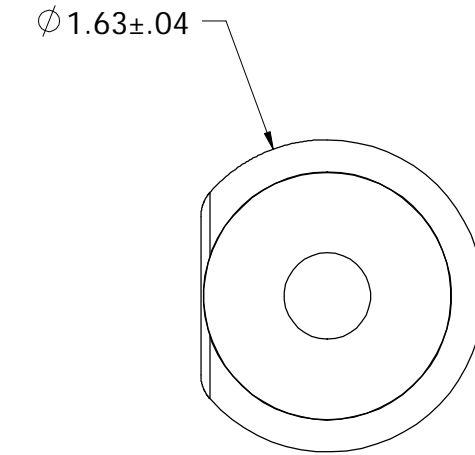
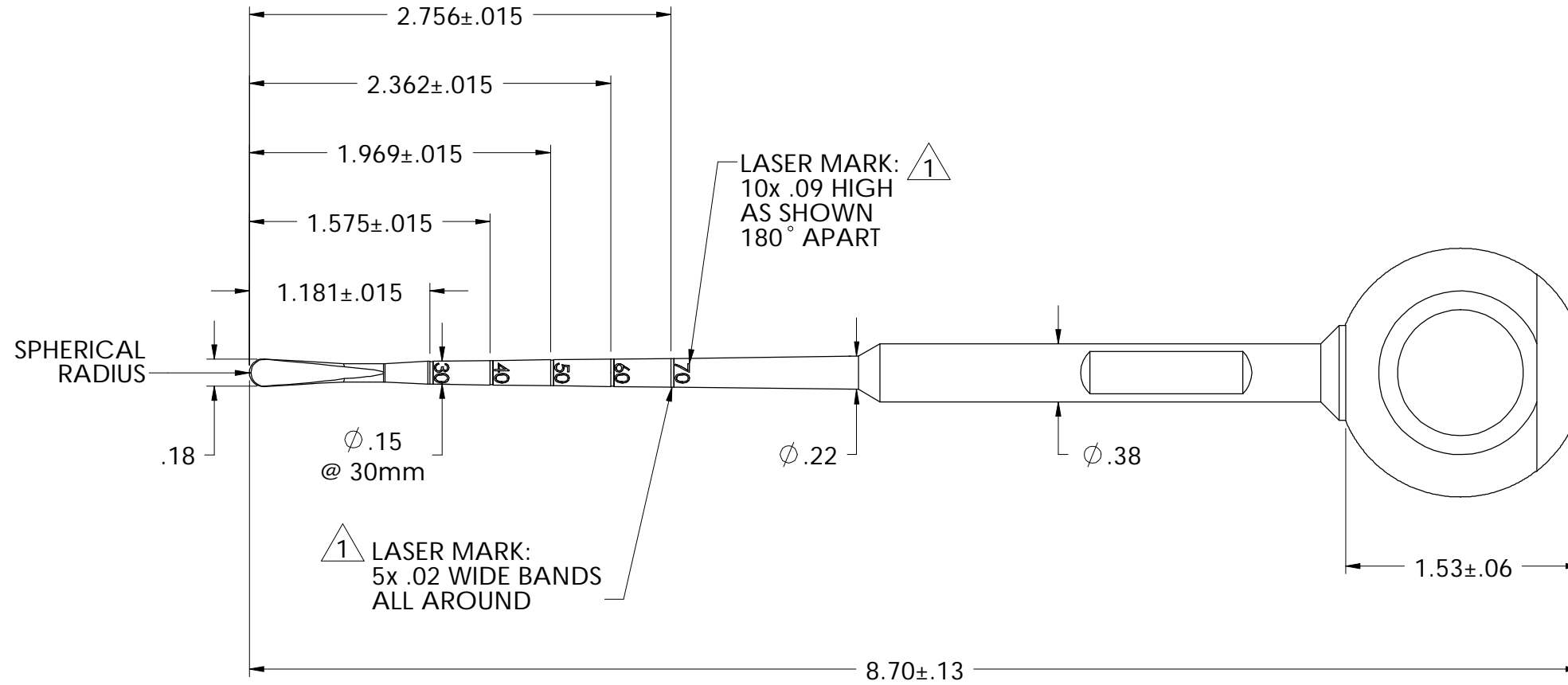


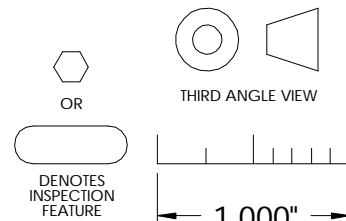
FOR REFERENCE ONLY

REVISIONS - BP221002-__(cc)

REV	DESCRIPTION	DATE/BY	DCN NO.



1 UNLESS OTHERWISE SPECIFIED



THIS DOCUMENT INCLUDING ALL DATA, SPECIFICATIONS, AND INFORMATION CONTAINED WITHIN IS CONFIDENTIAL AND PROPRIETARY TO BEERE PRECISION MEDICAL INSTRUMENTS BY RETENTION. THE RECIPIENT AGREES NOT TO REPRODUCE, DISCLOSE, OR MAKE USE OF ITS CONTENTS IN ANY WAY, WITHOUT PRIOR WRITTEN PERMISSION OF AN OFFICER OF BEERE PRECISION MEDICAL INSTRUMENTS.

BP221002-__(cc)	MATERIAL	UNSPECIFIED TOLERANCES				5307 95TH AVE KENOSHA, WI 53144 (262) 657-2800	
	HEAT TREAT	X ±.020	ANGLE ±1°				
	FINISH	XX ±.010	MACHINE FINISH 32				
	REMOVE ALL BURRS	XXX ±.005	DO NOT SCALE DRAWING	CONCENTRICITY .005 T.I.R. SQUARENESS .005 T.I.R.			
PART TO BE FREE OF DIRT, OIL AND CONTAMINANTS	DAM	DATE 05/06/05	SIZE B	SUPERSEDED NO.	TITLE B-PRB, CRV BALL IMP D-BIL S-TPR 8.70"		REV A
	APPROVED	DATE	SCALE 1:1		DRAWING NO. BP221002-__(cc)		
					SHEET 1 OF 1 ILLUSTRATION		