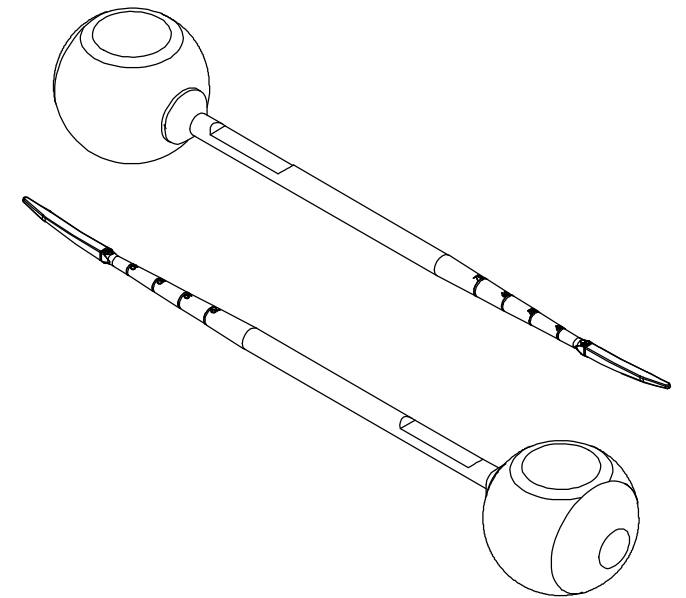
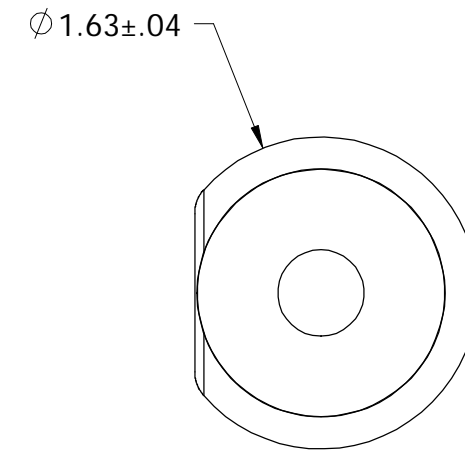
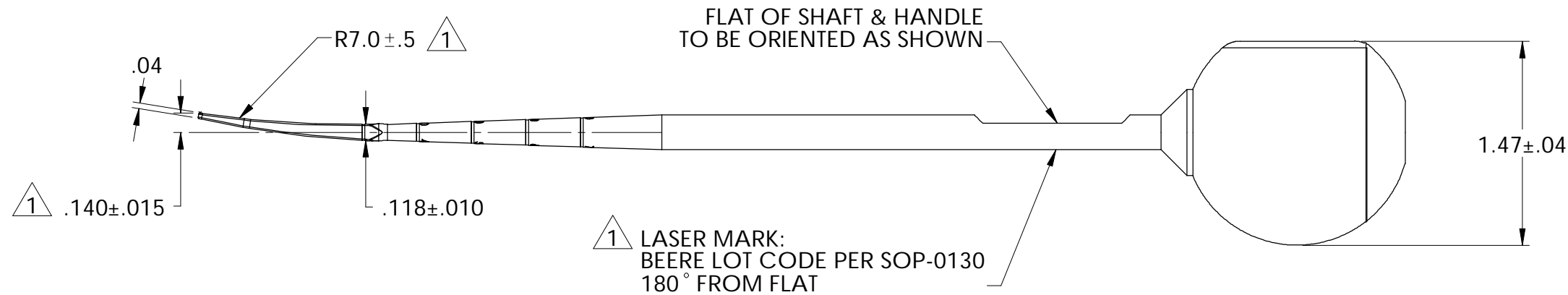
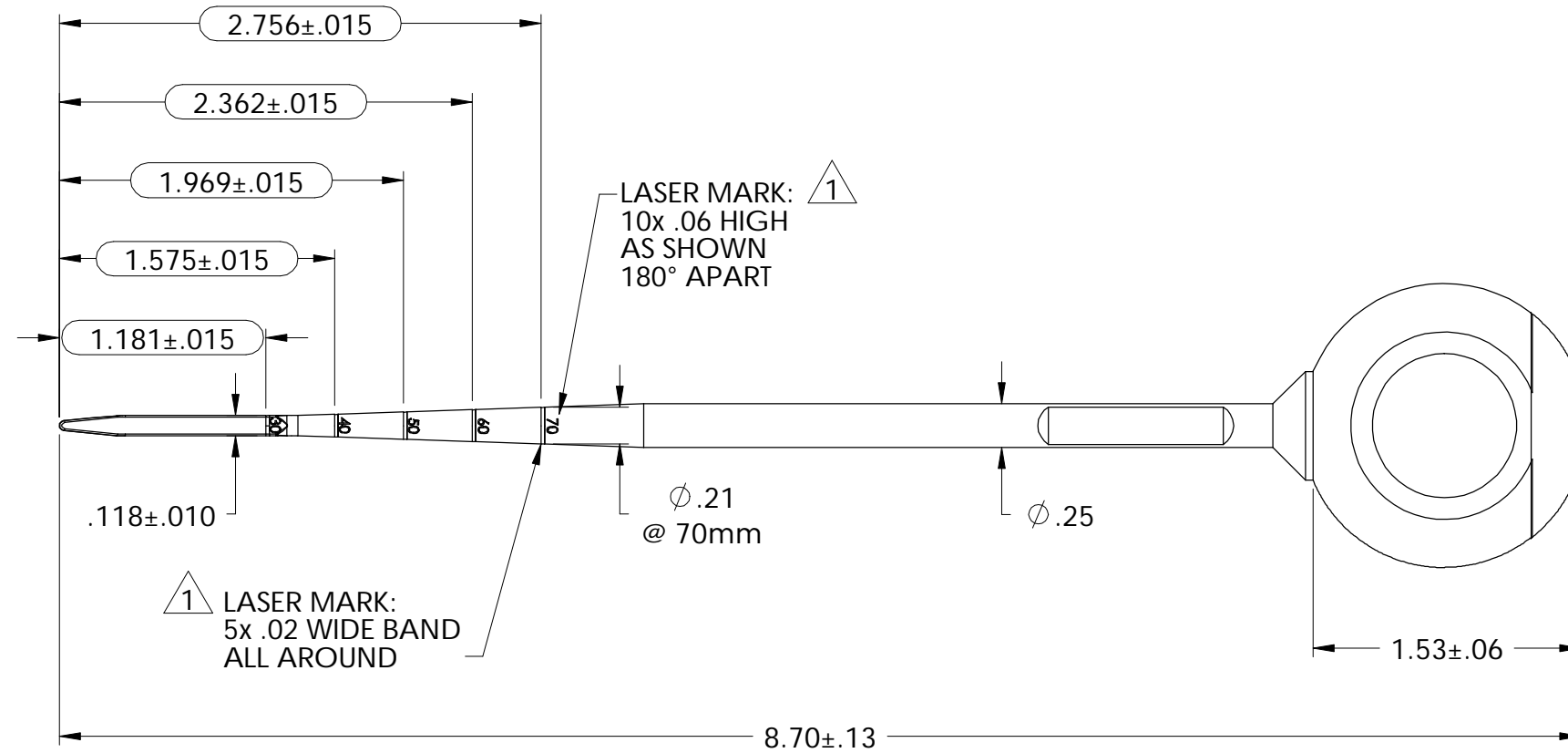


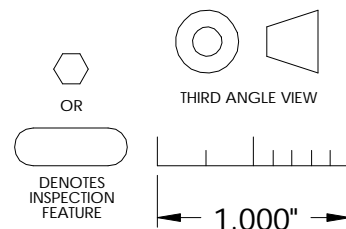
FOR REFERENCE ONLY

REVISIONS - BP221017-___(cc)

REV	DESCRIPTION	DATE/BY	DCN NO.



1 UNLESS OTHERWISE SPECIFIED BY CUSTOMER



BP221017-___(cc)	MATERIAL	UNSPECIFIED TOLERANCES				5307 95TH AVE KENOSHA, WI 53144 (262) 657-2800			
	HEAT TREAT	X ±.020	ANGLE ±1°						
	FINISH	XX ±.010	MACHINE FINISH <input checked="" type="checkbox"/>						
	REMOVE ALL BURRS	XXX ±.005	CONCENTRICITY .005 T.I.R.	DO NOT SCALE DRAWING	TITLE		B-PRB, CRV BALL IMP LENKE		
PART TO BE FREE OF DIRT, OIL AND CONTAMINANTS	BREAK SHARP CORNERS	XXXX ±.0005	SQUARENESS .005 T.I.R.	DRAWN	DATE	SIZE	SUPERSEDED NO.	DRAWING NO.	REV
				DAM	12/30/04	B		BP221017-___(cc)	01
				APPROVED	DATE	SCALE	1:1	ILLUSTRATION	SHEET 1 OF 1

THIS DOCUMENT INCLUDING ALL DATA, SPECIFICATIONS, AND INFORMATION CONTAINED WITHIN IS CONFIDENTIAL AND PROPRIETARY TO BEERE PRECISION MEDICAL INSTRUMENTS BY RETENTION. THE RECIPIENT AGREES NOT TO REPRODUCE, DISCLOSE, OR MAKE USE OF ITS CONTENTS IN ANY WAY, WITHOUT PRIOR WRITTEN PERMISSION OF AN OFFICER OF BEERE PRECISION MEDICAL INSTRUMENTS.