

FOR REFERENCE ONLY

PRODUCT SPECIFICATIONS MUST BE FILLED IN AT TIME OF ORDER:

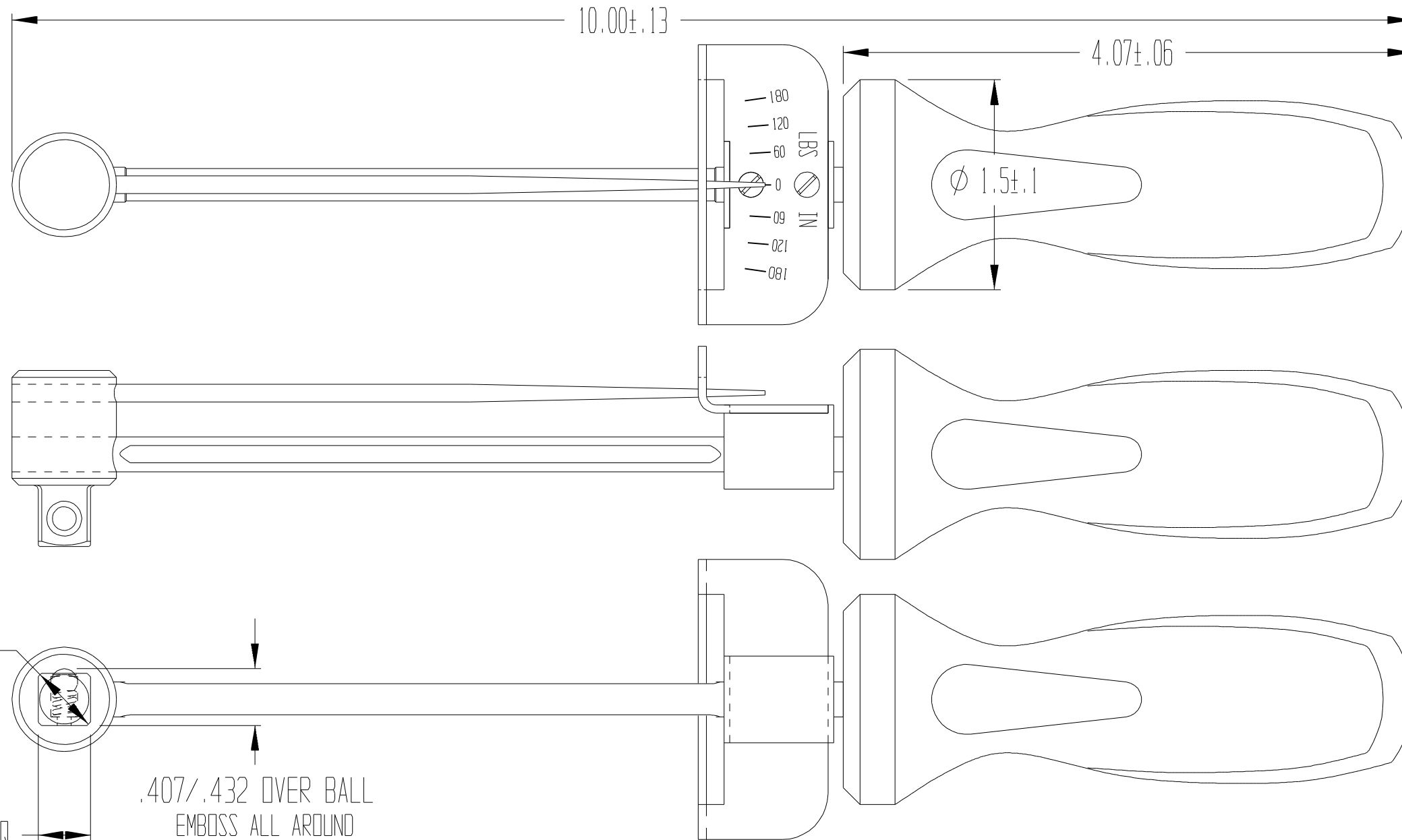
COMPLETE PART NUMBER: _____

TORQUE SETTING: _____ ±10%

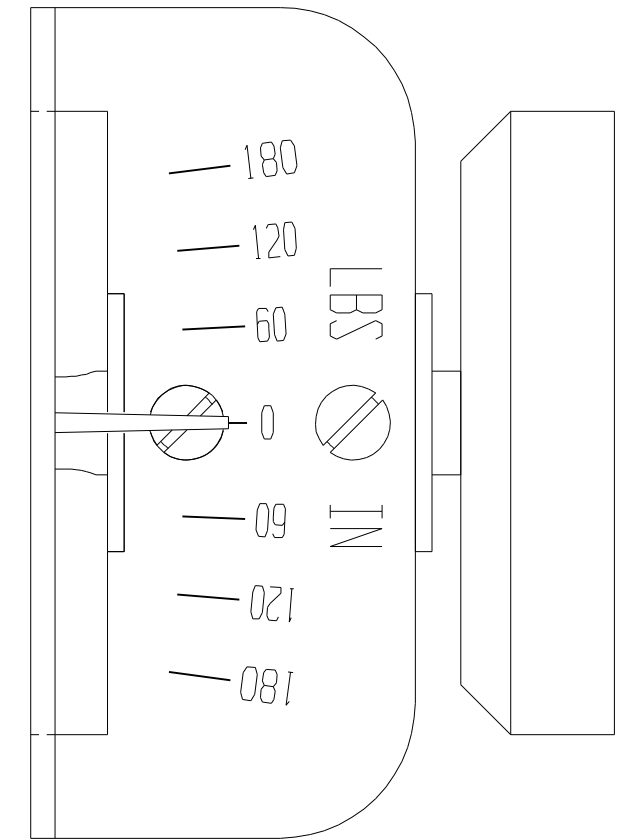
COLOR OF HANDLE: _____

APPROVAL/DATE: _____

REVISIONS			
REV	DESCRIPTION	DATE/BY	ECO NO.



SCALE MARKINGS SHOWN ARE FOR REFERENCE ONLY. MAXIMUM AND SCALE ARE DEPENDANT ON BEAM CHOICE.



SCALE PLATE DETAIL
SCALE 2:1

THIS DOCUMENT INCLUDING ALL DATA, SPECIFICATIONS, AND INFORMATION CONTAINED WITHIN IS CONFIDENTIAL AND PROPRIETARY TO BEERE PRECISION MEDICAL INSTRUMENTS, INC. BY RETENTION, THE RECIPIENT AGREES NOT TO REPRODUCE, DISCLOSE, OR MAKE USE OF ITS CONTENTS IN ANY WAY WITHOUT PRIOR WRITTEN PERMISSION OF AN OFFICER OF BEERE PRECISION MEDICAL INSTRUMENTS, INC.

DB101160-01	MATERIAL	UNSPECIFIED TOLERANCES		BEERE PRECISION MEDICAL INSTRUMENTS, INC. 2503 LINCOLNWOOD CT., RACINE WI 53403 (262) 554-8505				
	HEAT TREAT	.X +/- .020	ANGLE +/- 1°	TITLE DEFLECTION BEAM TORQUE WRENCH 3/8" SQUARE DRIVE, 10.0" O.A.L.				
	FINISH	.XX +/- .010	MACHINE FINISH 32✓					
		.XXX +/- .005	CONCENTRICITY .005 T.I.R.	DO NOT SCALE DRAWING				
	.XXXX +/- .0005	SQUARENESS .001 PER IN.	DRAWN JMW	DATE 6/23/99	SIZE B	SUPERSEDED NO.	DWG NO DB101160-01	REV N/C
	REMOVE ALL BURRS	BREAK SHARP CORNERS	APPROVED	DATE	SCALE 1:1	ILLUSTRATION		SHEET 1 OF 1
	PART TO BE FREE OF DIRT, OIL, AND CONTAMINANTS							