

FOR REFERENCE ONLY

REVISIONS - DB113000

REV	DESCRIPTION	DATE/BY	ECN NO.

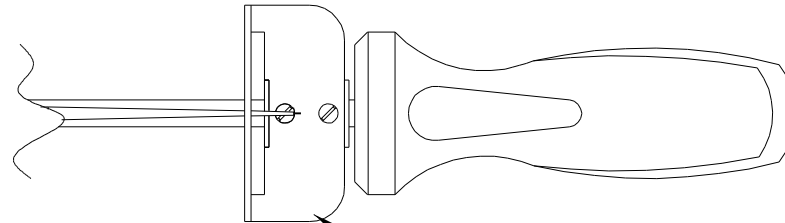
PRODUCT SPECIFICATIONS MUST BE FILLED IN AT TIME OF ORDER:

COMPLETE PART NUMBER: _____

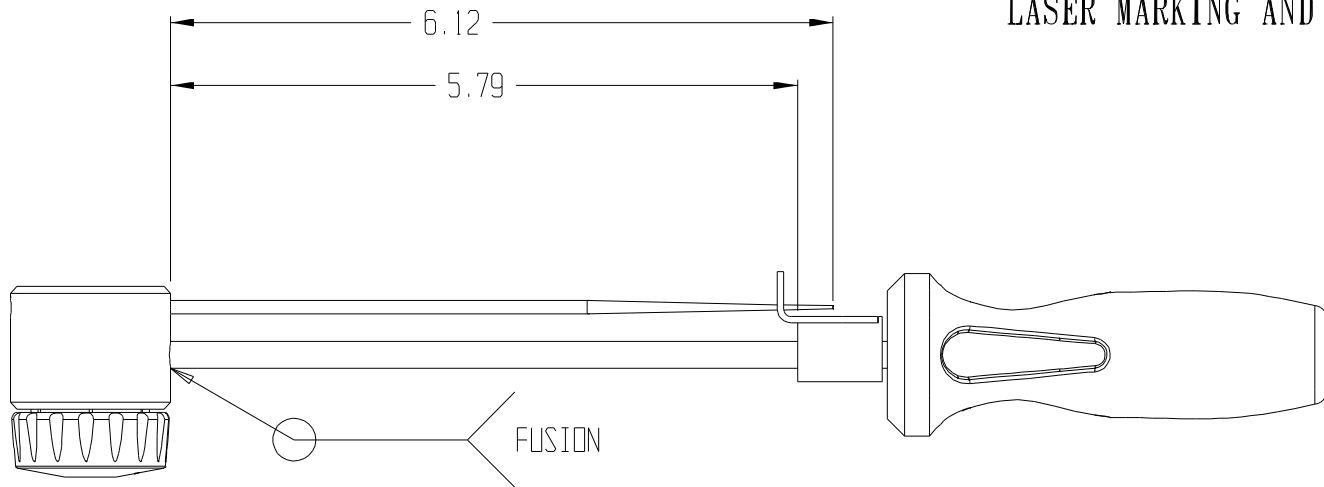
TORQUE SETTING: _____ ±10%

COLOR OF HANDLE: _____

APPROVAL/DATE: _____



SEE SCALE PLATE FOR
LASER MARKING AND COLOR



THIS DOCUMENT INCLUDING ALL DATA, SPECIFICATIONS, AND INFORMATION CONTAINED WITHIN IS CONFIDENTIAL AND PROPRIETARY TO BEERE PRECISION MEDICAL INSTRUMENTS, INC. BY RETENTION, THE RECIPIENT AGREES NOT TO REPRODUCE, DISCLOSE, OR MAKE USE OF ITS CONTENTS IN ANY WAY WITHOUT PRIOR WRITTEN PERMISSION OF AN OFFICER OF BEERE PRECISION MEDICAL INSTRUMENTS, INC.

MATERIAL	UNSPECIFIED TOLERANCES .X +/- .020 ANGLE +/- 1° .XX +/- .010 MACHINE FINISH 32 ✓ .XXX +/- .005 .XXXX +/- .0005	BEERE PRECISION MEDICAL INSTRUMENTS, INC. 2503 LINCOLNWOOD CT., RACINE WI 53403 (262) 554-8505	
HEAT TREAT	CONCENTRICITY .005 T.I.R. SQUARENESS .001 PER IN.	TITLE DEFLECTION BEAM, RATCHETING	
FINISH	DO NOT SCALE DRAWING	SIZE	SUPERSEDED NO
REMOVE ALL BURRS	BREAK SHARP CORNERS	DRAWN	DATE
PART TO BE FREE OF DIRT, OIL, AND CONTAMINANTS	APPROVED	JMW	1/31/00
	DATE	SCALE	1:2
		DWG NO	DB13000- (CC) N/C
		SHEET	1 OF 1