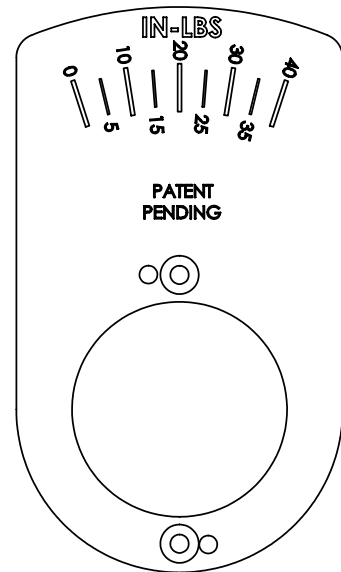
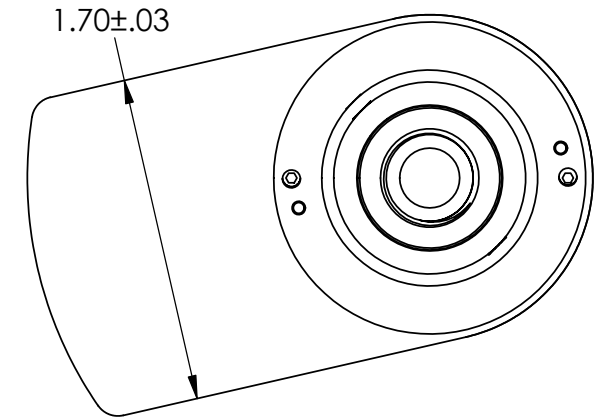
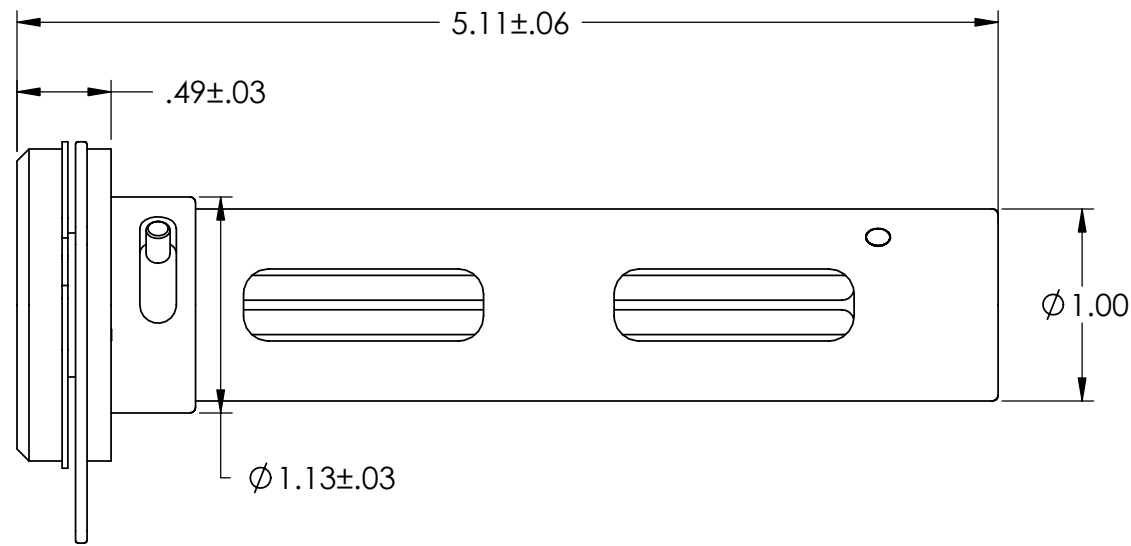
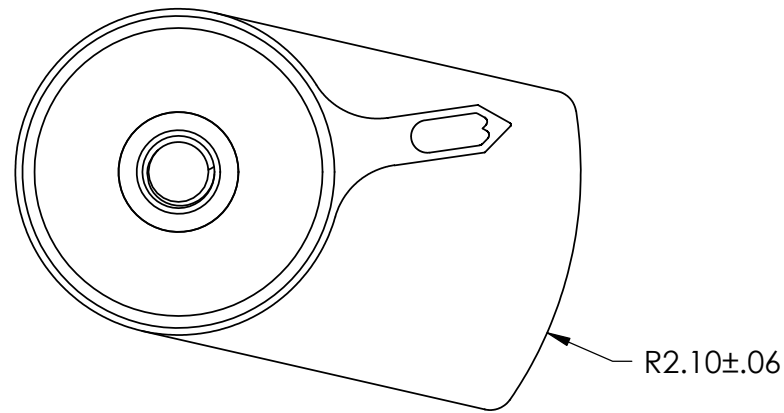
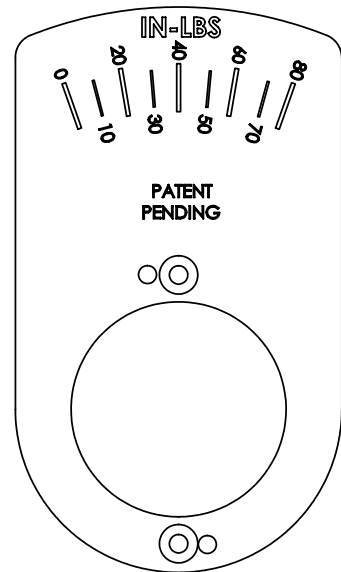


FOR REFERENCE ONLY

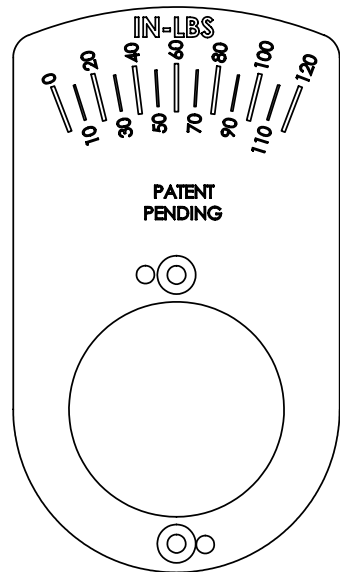
REVISIONS - DB204001-____-____(cc)			
REV	DESCRIPTION	DATE/BY	ECN NO.



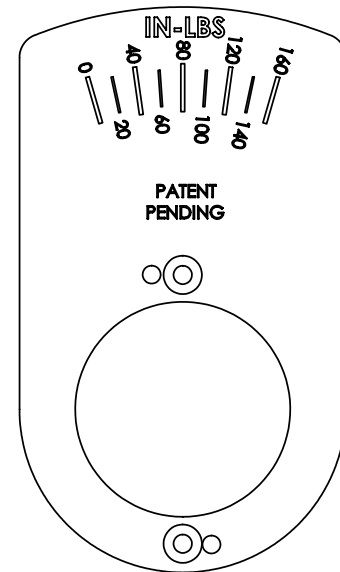
0 - 40 IN-LB
DB204001-040-____(cc)



0 - 80 IN-LB
DB204001-050-____(cc)



0 - 120 IN-LB
DB204001-060-____(cc)

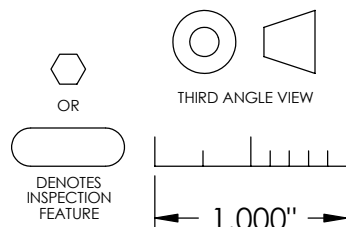


0 - 160 IN-LB
DB204001-070-____(cc)

THE COLOR CODE IS FOR THE SCALE PLATE ONLY

SCALE PLATE COLOR: _____

THIS DOCUMENT INCLUDING ALL DATA, SPECIFICATIONS, AND INFORMATION CONTAINED WITHIN IS CONFIDENTIAL AND PROPRIETARY TO BEERE PRECISION MEDICAL INSTRUMENTS, INC. BY RETENTION, THE RECIPIENT AGREES NOT TO REPRODUCE, DISCLOSE, OR MAKE USE OF ITS CONTENTS IN ANY WAY WITHOUT PRIOR WRITTEN PERMISSION OF AN OFFICER OF BEERE PRECISION MEDICAL INSTRUMENTS, INC.



DB204001-____(cc)	MATERIAL	UNSPECIFIED TOLERANCES			5307 95TH AVE KENOSHA, WI 53144 (262) 657-2800			
	HEAT TREAT	.X ±.020	ANGLE ±1°					
	FINISH	.XX ±.010	MACHINE FINISH 32/					
	REMOVE ALL BURRS	BREAK SHARP CORNERS	CONCENTRICITY .005 T.I.R.	DO NOT SCALE DRAWING	TITLE D-BM, AXIAL MDLR 3/8-16 & 1/2-20 ENDS			
PART TO BE FREE OF DIRT, OIL AND CONTAMINANTS	DRAWN JAR	DATE 05/01/01	APPROVED	DATE	SIZE B	SUPERSEDED NO.	DRAWING NO. DB204001-____-____(cc)	REV A
					SCALE 1:1		ILLUSTRATION	SHEET 1 OF 1