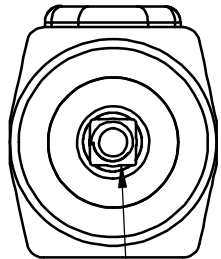
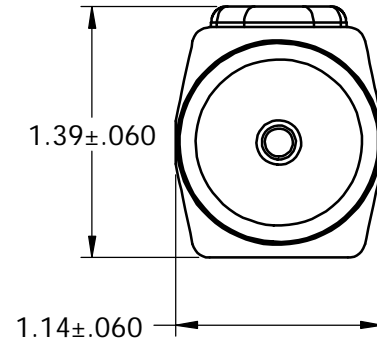
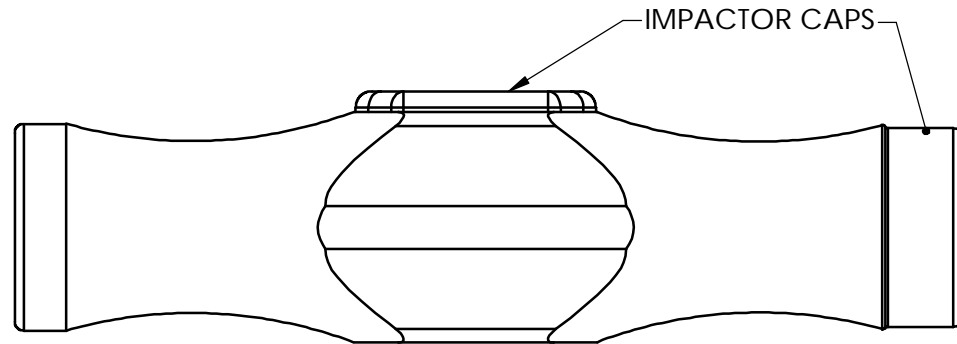
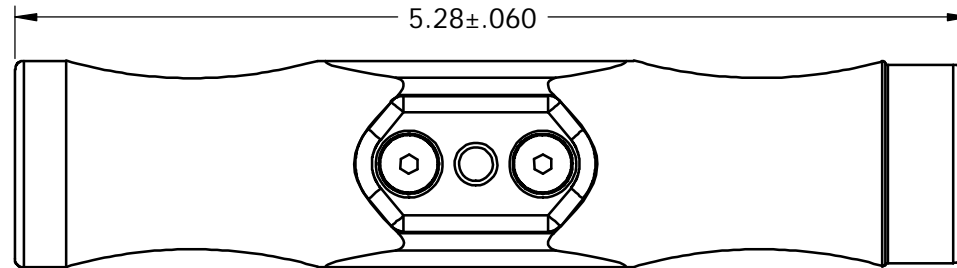


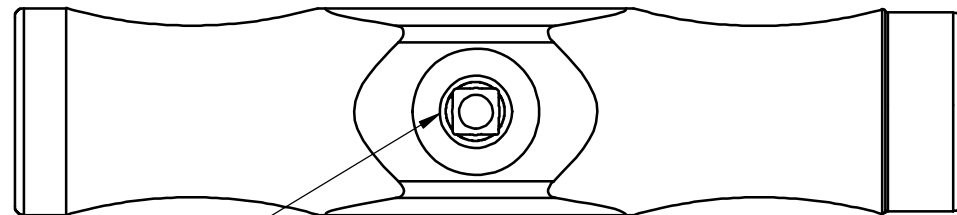
# FOR REFERENCE ONLY

REVISIONS - MP204000-\_\_\_(cc)

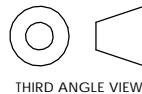
REV	DESCRIPTION	DATE/BY	ECN NO.



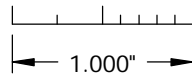
1/4" SQUARE DRIVES




OR DENOTES INSPECTION FEATURE



THIRD ANGLE VIEW



THIS DOCUMENT INCLUDING ALL DATA, SPECIFICATIONS, AND INFORMATION CONTAINED WITHIN IS CONFIDENTIAL AND PROPRIETARY TO BEERE PRECISION MEDICAL INSTRUMENTS, INC. BY RETENTION, THE RECIPIENT AGREES NOT TO REPRODUCE, DISCLOSE, OR MAKE USE OF ITS CONTENTS IN ANY WAY WITHOUT PRIOR WRITTEN PERMISSION OF AN OFFICER OF BEERE PRECISION MEDICAL INSTRUMENTS, INC.

MATERIAL		UNSPECIFIED TOLERANCES		 <b>beere</b> PRECISION medical INSTRUMENTS		5307 95TH AVE KENOSHA, WI 53144 (262) 657-2800	
HEAT TREAT		X +/- .020	ANGLE +/- 1°	TITLE		M-PRP, 1/4" SQ DR & IMP	
FINISH		XX +/- .010	MACHINE	DO NOT SCALE DRAWING		DRAWING NO. MP204000-___(cc) REV. N/C	
REMOVE ALL BURRS		XXX +/- .005	FINISH 32	DRAWN		SCALE 1:1	
BREAK SHARP CORNERS		XXXX +/- .0005	CONCENTRICITY .005 T.I.R.	DATE 10/19/01		SHEET 1 OF 1	
PART TO BE FREE OF DIRT, OIL, AND CONTAMINANTS		SQUARENESS .001 PER IN.		APPROVED		ILLUSTRATION	