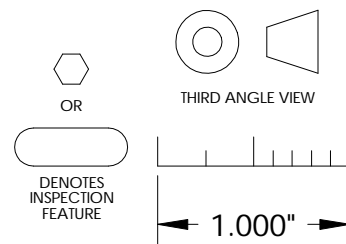
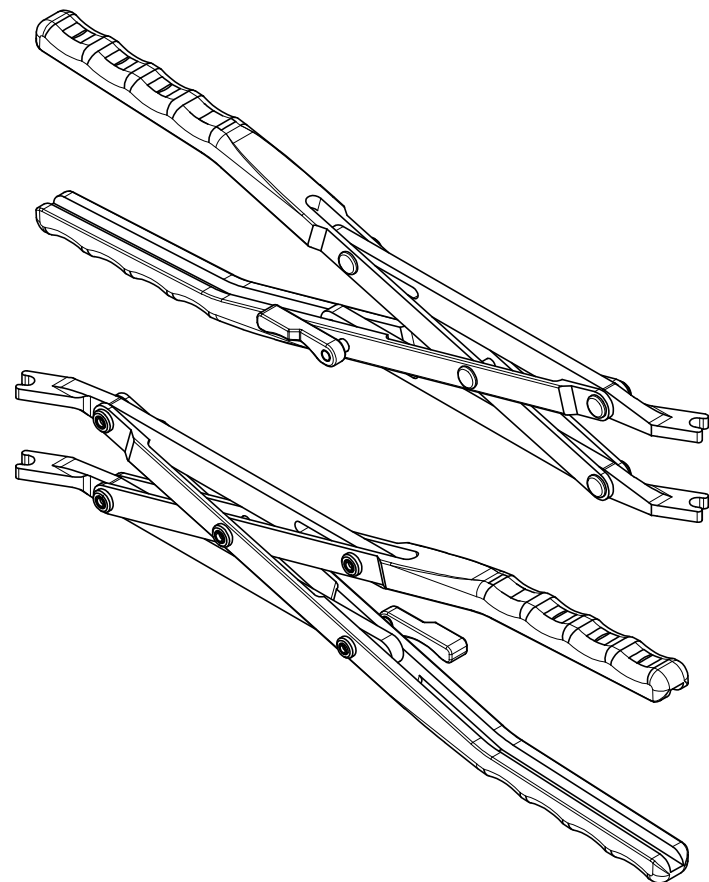
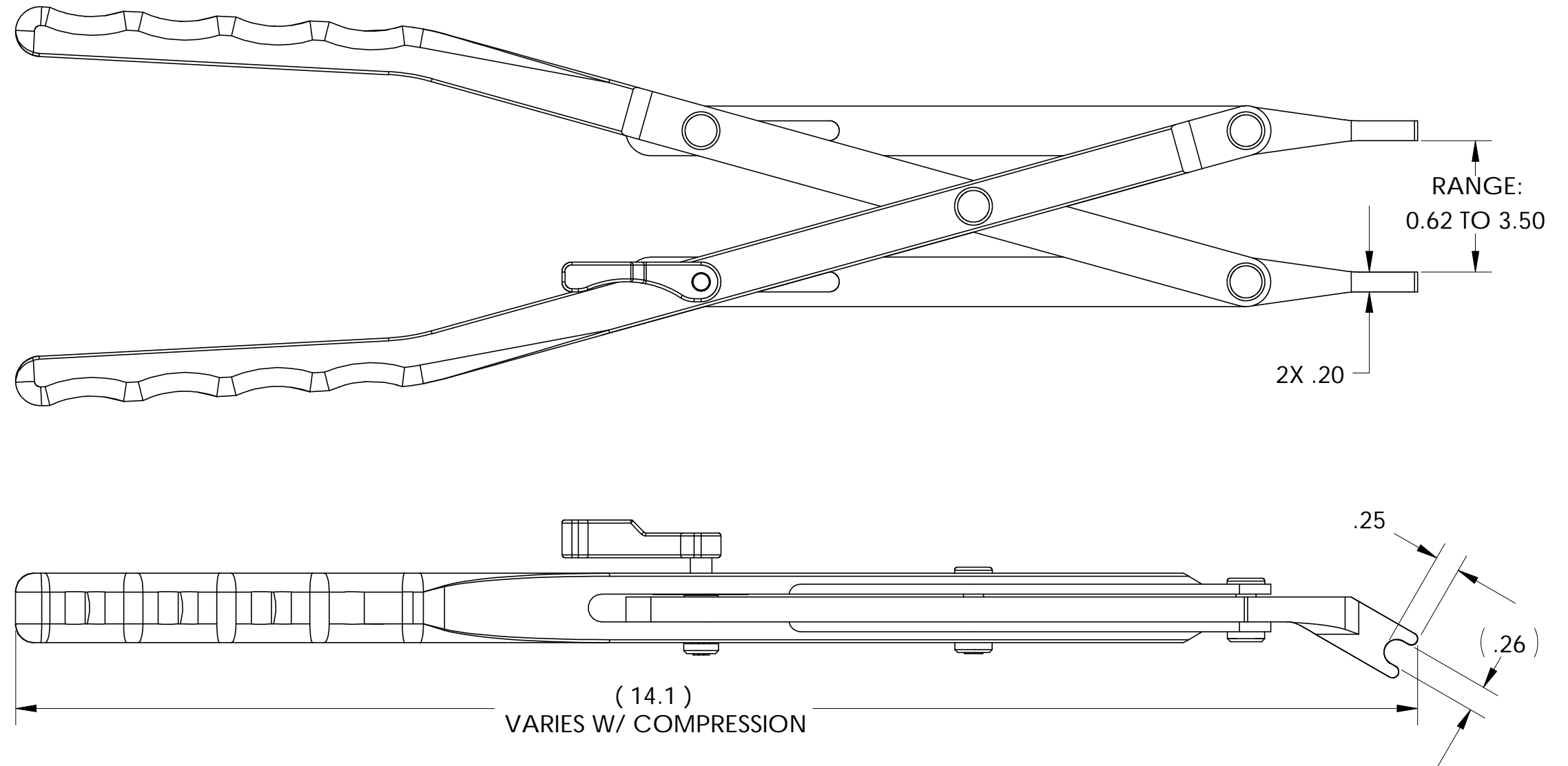



FOR REFERENCE ONLY

REVISIONS - PA101000

REV	DESCRIPTION	DATE/BY	ECN NO.



THIS DOCUMENT INCLUDING ALL DATA, SPECIFICATIONS, AND INFORMATION CONTAINED WITHIN IS CONFIDENTIAL AND PROPRIETARY TO BEERE PRECISION MEDICAL INSTRUMENTS, INC. BY RETENTION, THE RECIPIENT AGREES NOT TO REPRODUCE, DISCLOSE, OR MAKE USE OF ITS CONTENTS IN ANY WAY WITHOUT PRIOR WRITTEN PERMISSION OF AN OFFICER OF BEERE PRECISION MEDICAL INSTRUMENTS, INC.

PA101000	MATERIAL	UNSPECIFIED TOLERANCES		 beere PRECISION medical INSTRUMENTS		5307 95TH AVE KENOSHA, WI 53144 (262) 657-2800			
	HEAT TREAT	.X ±.020 .XX ±.010 .XXX ±.005 .XXXX ±.0005	ANGLE ±1° MACHINE FINISH <input checked="" type="checkbox"/>			TITLE CMPR, UNIV JAW			
	FINISH	SEE DETAILS		CONCENTRICITY .005 T.I.R. SQUARENESS .005 T.I.R.					
	REMOVE ALL BURRS		BREAK SHARP CORNERS		DO NOT SCALE DRAWING		SCALE 3:4	ILLUSTRATION	
PART TO BE FREE OF DIRT, OIL AND CONTAMINANTS		DRAWN JAR	DATE 09/09/97	APPROVED	DATE				