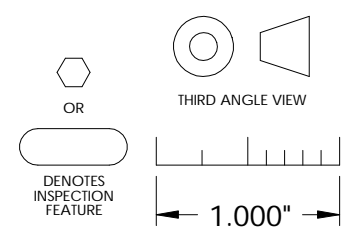
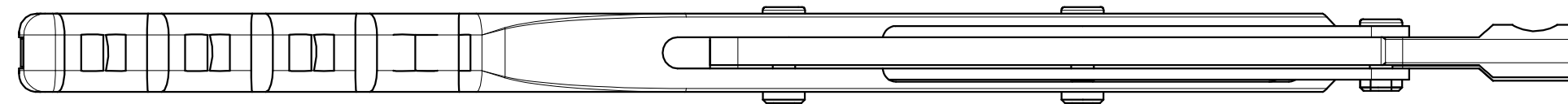
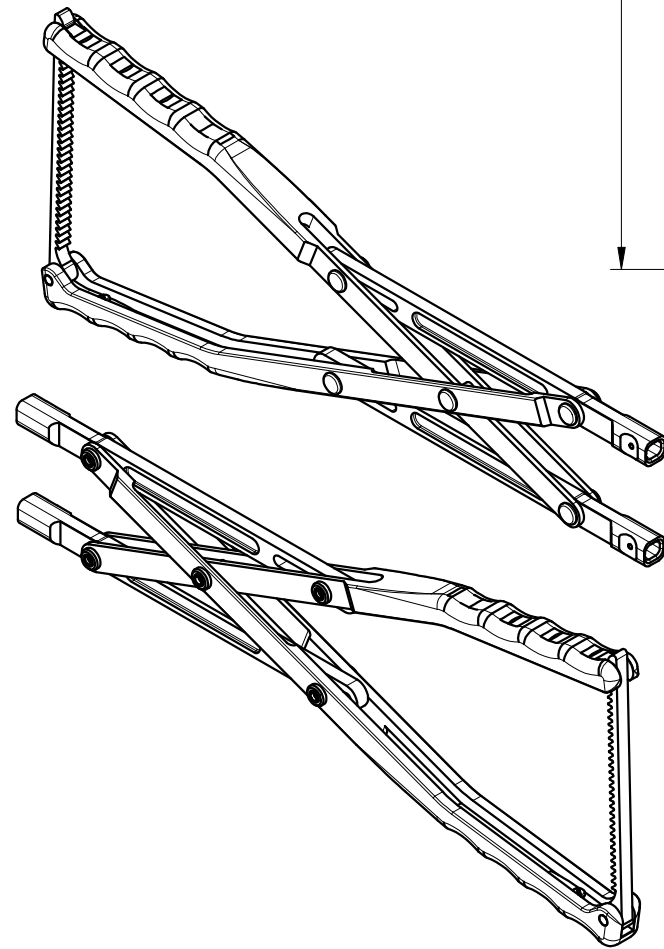
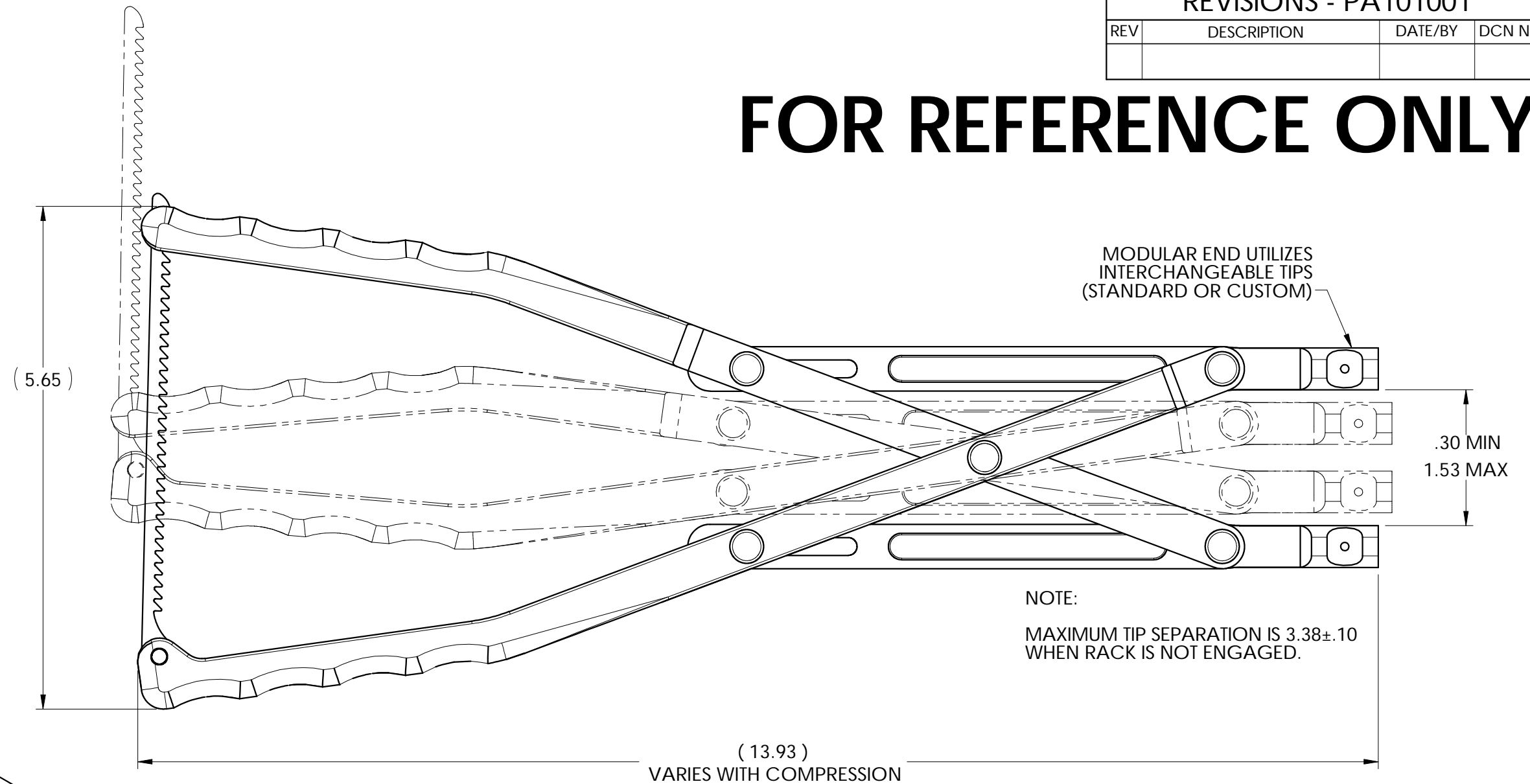



REVISIONS - PA101001

REV	DESCRIPTION	DATE/BY	DCN NO.

FOR REFERENCE ONLY



PA101001	MATERIAL	UNSPECIFIED TOLERANCES		 beere PRECISION medical INSTRUMENTS 5307 95TH AVE KENOSHA, WI 53144 (262) 657-2800		
	HEAT TREAT	.X ±.020 .XX ±.010 .XXX ±.005 .XXXX ±.0005	ANGLE ±1° MACHINE FINISH $\sqrt{32}$			
	FINISH	CONCENTRICITY .005 T.I.R. SQUARENESS .005 T.I.R.		TITLE CMPR, INTCHG JAW		
	REMOVE ALL BURRS	DO NOT SCALE DRAWING				
PART TO BE FREE OF DIRT, OIL AND CONTAMINANTS	DRAWN CER	DATE 06/28/02	SIZE B	SUPERSEDED NO.	DRAWING NO. PA101001	REV N/C
	APPROVED	DATE	SCALE 3:4		ILLUSTRATION	SHEET 1 OF 1

THIS DOCUMENT INCLUDING ALL DATA, SPECIFICATIONS, AND INFORMATION CONTAINED WITHIN IS CONFIDENTIAL AND PROPRIETARY TO BEERE PRECISION MEDICAL INSTRUMENTS BY RETENTION. THE RECIPIENT AGREES NOT TO REPRODUCE, DISCLOSE, OR MAKE USE OF ITS CONTENTS IN ANY WAY, WITHOUT PRIOR WRITTEN PERMISSION OF AN OFFICER OF BEERE PRECISION MEDICAL INSTRUMENTS.