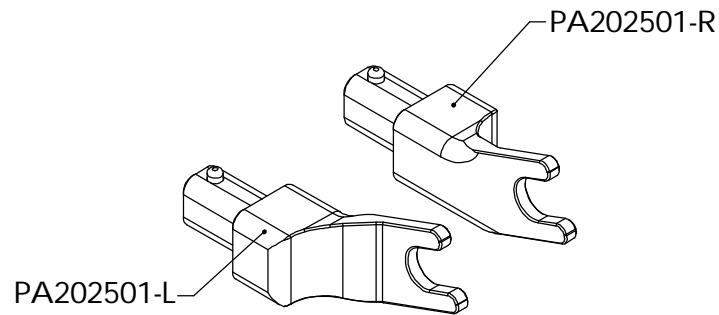
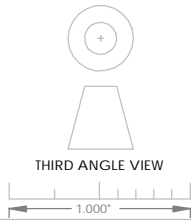


REVISIONS

REV	DESCRIPTION	DATE/BY	ECN NO.



THIS DOCUMENT INCLUDING ALL DATA, SPECIFICATIONS, AND INFORMATION CONTAINED WITHIN IS CONFIDENTIAL AND PROPRIETARY TO BEERE PRECISION MEDICAL INSTRUMENTS, INC. BY RETENTION, THE RECIPIENT AGREES NOT TO REPRODUCE, DISCLOSE, OR MAKE USE OF ITS CONTENTS IN ANY WAY WITHOUT PRIOR WRITTEN PERMISSION OF AN OFFICER OF BEERE PRECISION MEDICAL INSTRUMENTS, INC.



OR DENOTES INSPECTION FEATURE

MATERIAL 13-8 S.S.		UNSPECIFIED TOLERANCES X +/- .020 ANGLE +/- 1° .XX +/- .010 MACHINE 32 .XXX +/- .005 FINISH .XXXX +/- .0005		BEERE PRECISION MEDICAL INSTRUMENTS, INC. 2503 LINCOLNWOOD CT., RACINE, WI 53403 (414) 554-8505	
HEAT TREAT Rc 45±2		CONCENTRICITY .005 T.I.R. SQUARENESS .001 PER. IN.		TITLE 5.5-6.35mm JAW SET	
FINISH SCOTCHBRITE PASSIVATE PER MP-001		DO NOT SCALE DRAWING		DRAWN DATE JAR 10/18/1999	
REMOVE ALL BURRS BREAK SHARP CORNERS		APPROVED DATE JAR 10/18/1999		SIZE SUPERSEDED NO. A	DRAWING NUMBER PA202003
PART TO BE FREE OF DIRT, OIL, AND CONTAMINANTS				SCALE 1:1	REV. N/C SHEET 1 OF 1