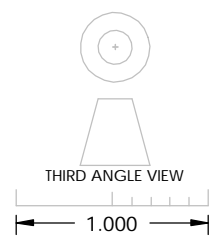
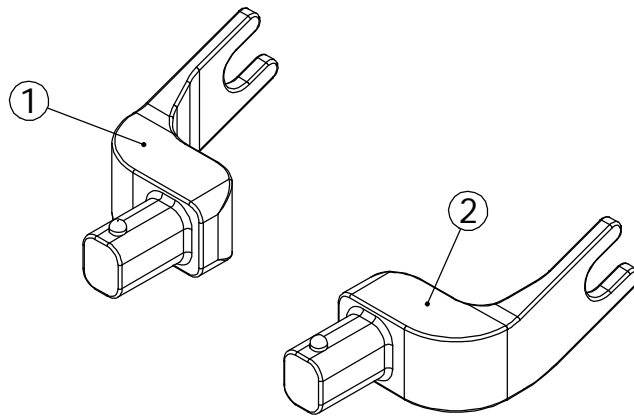


| ITEM | QTY. | PART NO. | DESCRIPTION (MAIN) | DESCRIPTION (SUB) | MAT. |
|------|------|---------------------|--------------------|-------------------|-------------|
| 1 | 1 | PA202023-R-___(mat) | BLADE, 20mm OFFSET | 5.5-6.35mm, RIGHT | SEE DETAILS |
| 2 | 1 | PA202023-L-___(mat) | BLADE, 20mm OFFSET | 5.5-6.35mm LEFT | SEE DETAILS |

| REVISIONS - PA202023-___(mat) | | | |
|-------------------------------|-------------|---------|---------|
| REV | DESCRIPTION | DATE/BY | ECN NO. |
| | | | |



THIS DOCUMENT INCLUDING ALL DATA, SPECIFICATIONS, AND INFORMATION CONTAINED WITHIN IS CONFIDENTIAL AND PROPRIETARY TO BEERE PRECISION MEDICAL INSTRUMENTS, INC. BY RETENTION, THE RECIPIENT AGREES NOT TO REPRODUCE, DISCLOSE, OR MAKE USE OF ITS CONTENTS IN ANY WAY WITHOUT PRIOR WRITTEN PERMISSION OF AN OFFICER OF BEERE PRECISION MEDICAL INSTRUMENTS, INC.

OR DENOTES INSPECTION FEATURE

| | | |
|--|------------------------|---------------------------|
| MATERIAL | UNSPECIFIED TOLERANCES | |
| HEAT TREAT | .X +/- .020 | ANGLE +/- .1° |
| FINISH | .XX +/- .010 | MACHINE 32 |
| | .XXX +/- .005 | FINISH |
| | .XXXX +/- .0005 | CONCENTRICITY .005 T.I.R. |
| | | SQUARENESS .001 PER. IN. |
| DO NOT SCALE DRAWING | | |
| DRAWN | DATE | DATE |
| JAR | 11/8/00 | |
| APPROVED | DATE | |
| PART TO BE FREE OF DIRT, OIL, AND CONTAMINANTS | | |

| | | |
|--|----------------|----------------------|
| BEERE PRECISION MEDICAL INSTRUMENTS, INC. 2503 LINCOLNWOOD CT., RACINE, WI 53403 (262) 554-8505 | | |
| TITLE JAW BLADE SET, 20mm OFFSET 5.5-6.35mm ROD | | |
| SIZE | SUPERSEDED NO. | DRAWING NUMBER |
| A | | PA202023-___(mat) 00 |
| SCALE | 1:1 | SHEET 1 OF 1 |