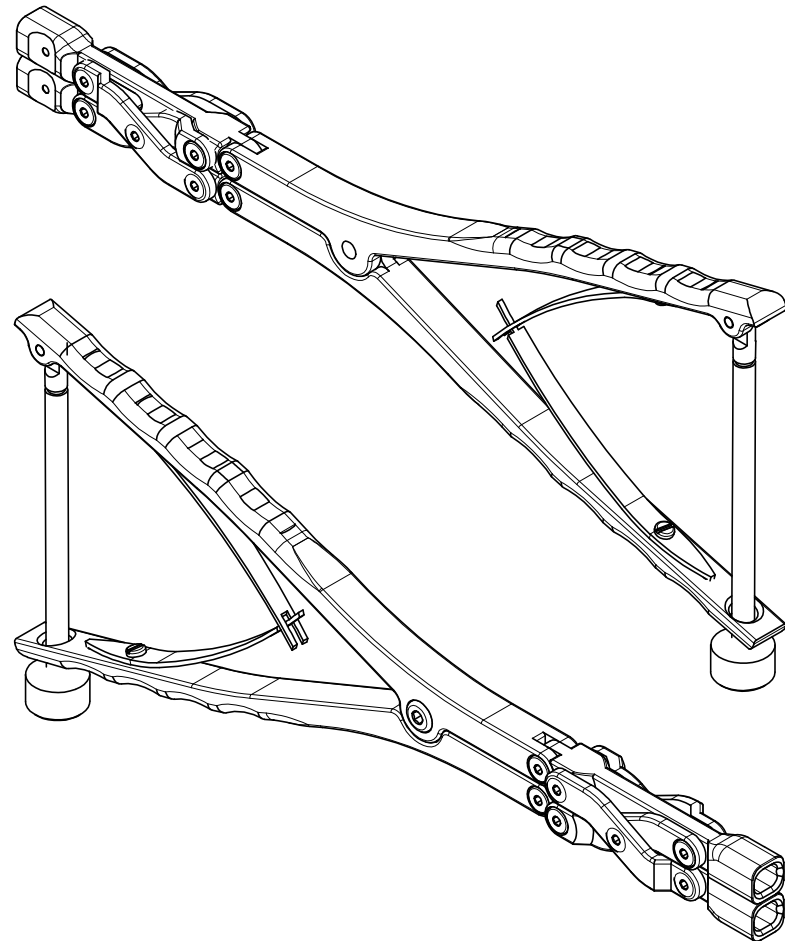
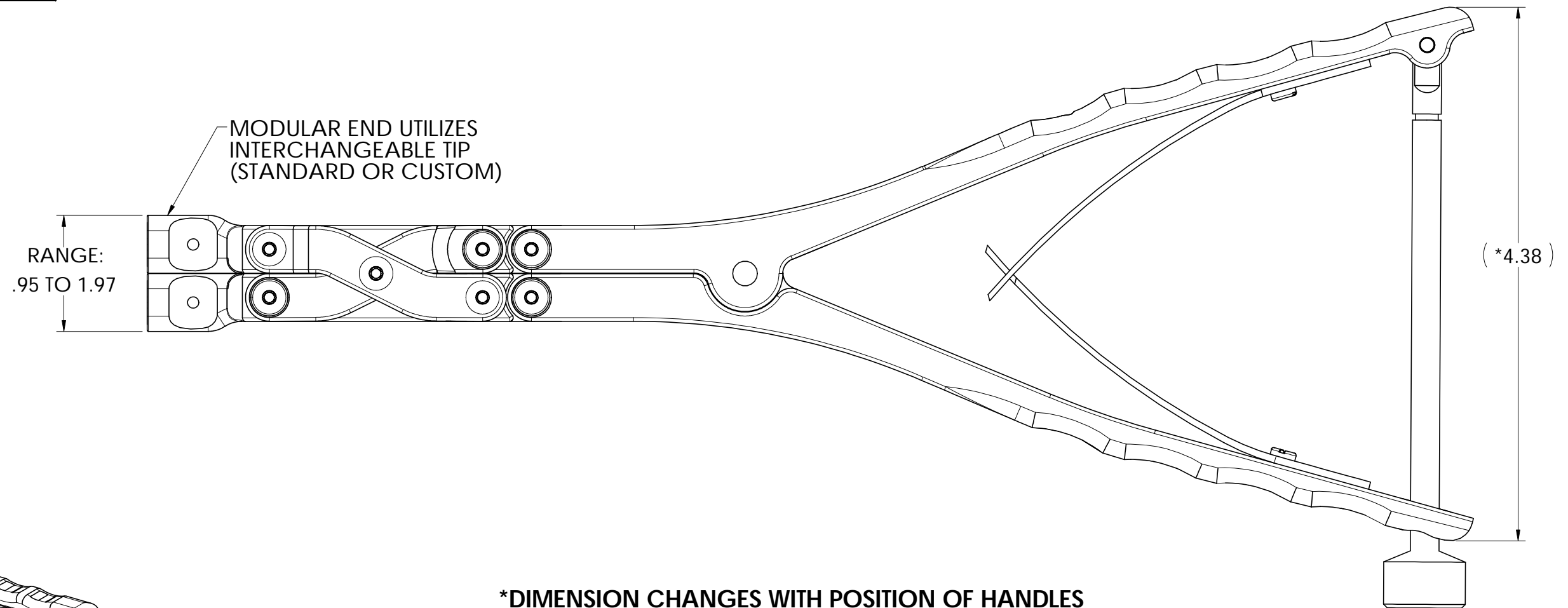


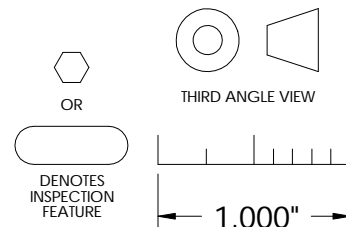
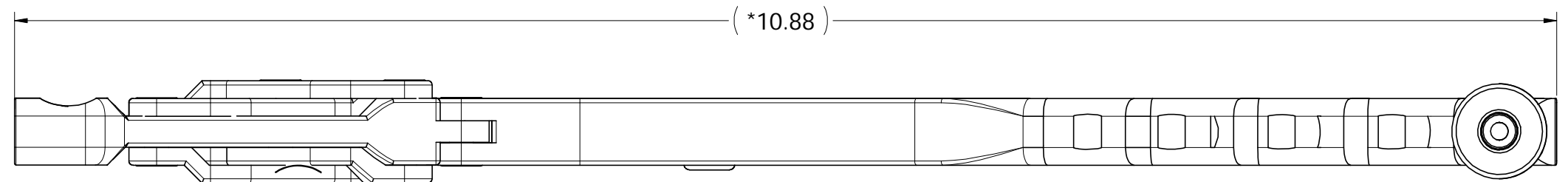
STYLE	MATERIAL (BASE)	FINISH (REFERENCE)	TREATMENT (REFERENCE)
SS	17-4 13-8	SATIN BRUSH	PASSIVATE PER WI-0006
Ti	6Al-4V	SATIN BRUSH	NONE
CR	6Al-4V	SATIN BRUSH	CrN COATING


REVISIONS - PA312200-___			
REV	DESCRIPTION	DATE/BY	ECN NO.

FOR REFERENCE ONLY



*DIMENSION CHANGES WITH POSITION OF HANDLES



PA312200-___	MATERIAL	SEE CHART	UNSPECIFIED TOLERANCES		 beere PRECISION medical INSTRUMENTS	5307 95TH AVE KENOSHA, WI 53144 (262) 657-2800		
	HEAT TREAT	N/A	.X ±.020 .XX ±.010 .XXX ±.005 .XXXX ±.0005	ANGLE ±1° MACHINE FINISH 32		TITLE DSTR, PRL ACT INTCHG JAW		
	FINISH	SEE CHART	CONCENTRICITY .005 T.I.R. SQUARENESS .005 T.I.R.		SIZE			
	REMOVE ALL BURRS		BREAK SHARP CORNERS		DO NOT SCALE DRAWING	B		PA312200-___
PART TO BE FREE OF DIRT, OIL AND CONTAMINANTS		APPROVED	DATE	DATE	SCALE	1:1	ILLUSTRATION	SHEET 1 OF 1

THIS DOCUMENT INCLUDING ALL DATA, SPECIFICATIONS, AND INFORMATION CONTAINED WITHIN IS CONFIDENTIAL AND PROPRIETARY TO BEERE PRECISION MEDICAL INSTRUMENTS, INC. BY RETENTION, THE RECIPIENT AGREES NOT TO REPRODUCE, DISCLOSE, OR MAKE USE OF ITS CONTENTS IN ANY WAY WITHOUT PRIOR WRITTEN PERMISSION OF AN OFFICER OF BEERE PRECISION MEDICAL INSTRUMENTS, INC.