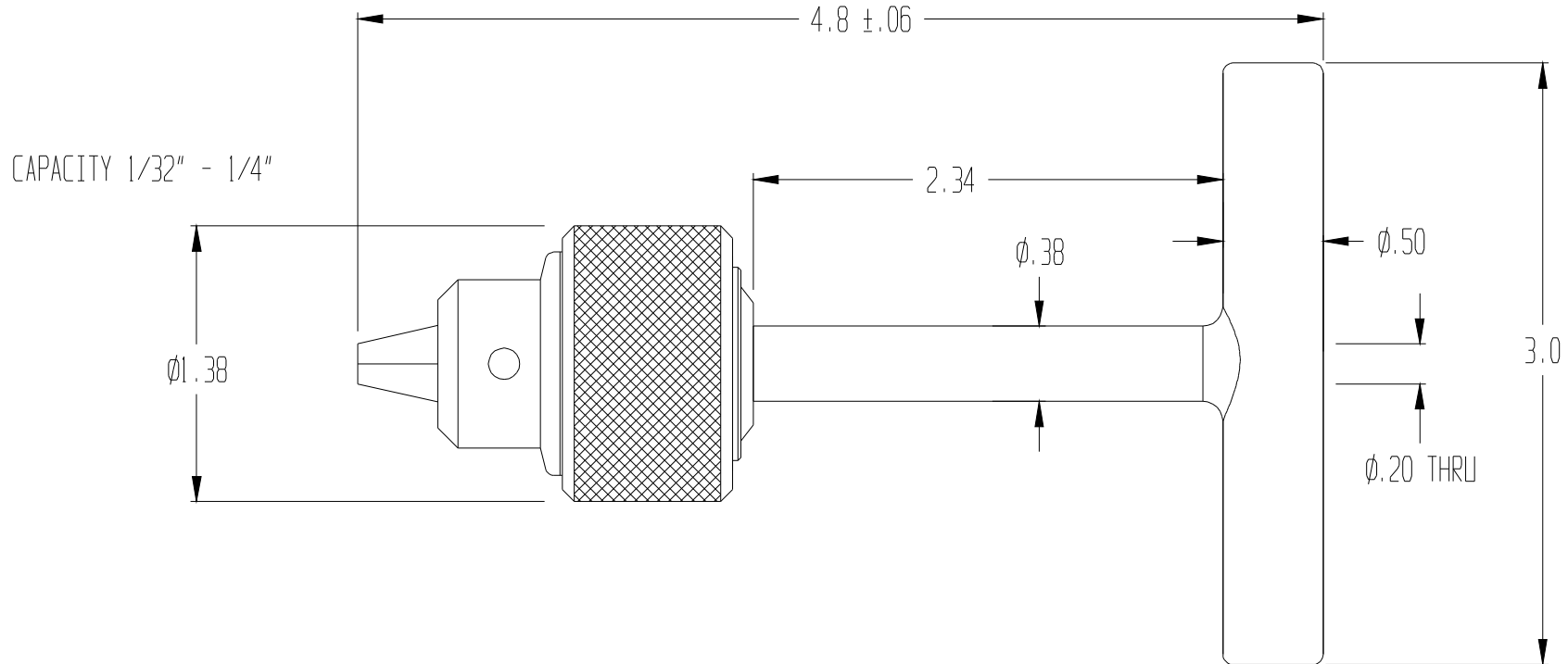


FOR REFERENCE ONLY

REVISIONS - PP103000

REV	DESCRIPTION	DATE/BY	ECN NO.



THIS DOCUMENT INCLUDING ALL DATA, SPECIFICATIONS, AND INFORMATION CONTAINED WITHIN IS CONFIDENTIAL AND PROPRIETARY TO BEERE PRECISION MEDICAL INSTRUMENTS, INC. BY RETENTION, THE RECIPIENT AGREES NOT TO REPRODUCE, DISCLOSE, OR MAKE USE OF ITS CONTENTS IN ANY WAY WITHOUT PRIOR WRITTEN PERMISSION OF AN OFFICER OF BEERE PRECISION MEDICAL INSTRUMENTS, INC.

MATERIAL		UNSPECIFIED TOLERANCES		BEERE PRECISION MEDICAL INSTRUMENTS, INC.	
HEAT TREAT		.X +/- .020	ANGLE +/- 1°	2503 LINCOLNWOOD CT., RACINE WI 53403 (262) 554-8505	
FINISH		.XX +/- .010	MACHINE FINISH	TITLE	
REMOVE ALL BURRS		.XXX +/- .005	32	"T" HANDLE	
BREAK SHARP CORNERS		.XXXX +/- .0005	SQUARENESS .001 PER IN.	WITH KEYED/KEYLESS CHUCK	
PART TO BE FREE OF DIRT, OIL, AND CONTAMINANTS		CONCENTRICITY .005 T.I.R.		SIZE	
		SQURENESS .001 PER IN.		SUPERSEDED NO	
		DD NOT SCALE DRAWING		DWG NO	
		DRAWN	DATE	PP103000	
		MTG	11/11/97	REV	
		APPROVED	DATE	N/C	
				SCALE	
				1:1	
				ILLUSTRATION	
				SHEET 1 OF 1	