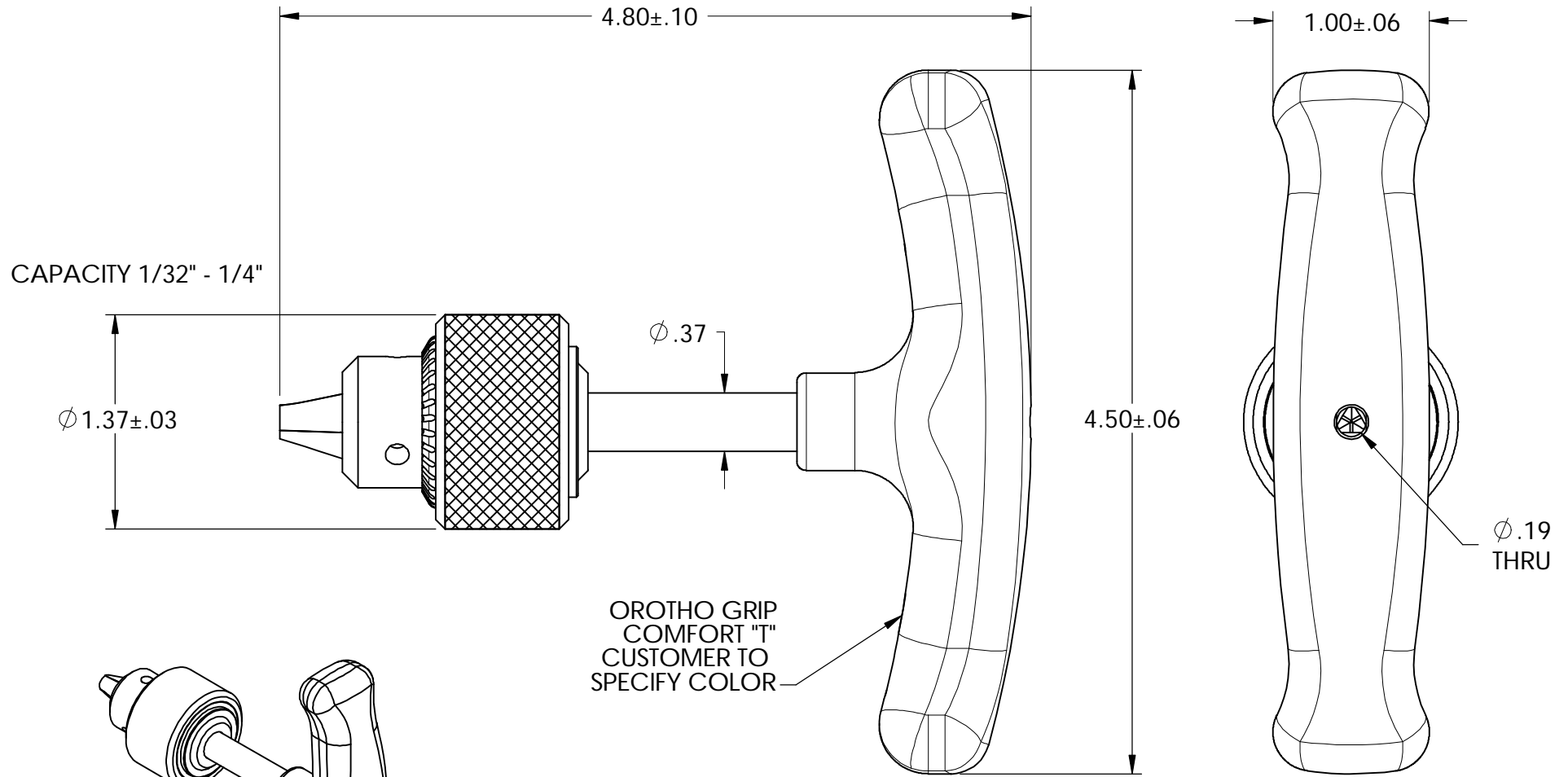


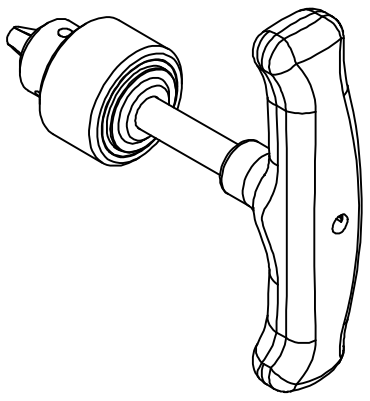
FOR REFERENCE ONLY

REVISIONS - PP103001-____(cc)

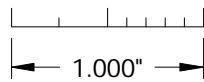
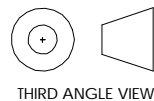
REV	DESCRIPTION	DATE/BY	ECN NO.



OROTHO GRIP
COMFORT "T"
CUSTOMER TO
SPECIFY COLOR



OR DENOTES INSPECTION FEATURE



THIS DOCUMENT INCLUDING ALL DATA, SPECIFICATIONS, AND INFORMATION CONTAINED WITHIN IS CONFIDENTIAL AND PROPRIETARY TO BEERE PRECISION MEDICAL INSTRUMENTS BY RETENTION. THE RECIPIENT AGREES NOT TO REPRODUCE, DISCLOSE, OR MAKE USE OF ITS CONTENTS IN ANY WAY WITHOUT PRIOR WRITTEN PERMISSION OF AN OFFICER OF BEERE PRECISION MEDICAL INSTRUMENTS.

MATERIAL SEE B.O.M.		UNSPECIFIED TOLERANCES .X +/- .020 ANGLE +/- 1° .XX +/- .010 MACHINE .XXX +/- .005 FINISH .XXXX +/- .0005		 5307 95TH AVE KENOSHA, WI 53144 (262) 657-2800	
HEAT TREAT		CONCENTRICITY .005 T.I.R. SQUARENESS .001 PER. IN.		TITLE PIN INSRT/EXTR KYLS CHU CMF-T O-G HDL, 4.80"	
FINISH SEE NOTES		DO NOT SCALE DRAWING		SIZE A	
REMOVEMILL BURRS	BREAK SHARP CORNERS	DRAWN KPL	DATE 06/30/03	SUPERSEDED NO.	DRAWING NO. PP103001-____(cc)
PART TO BE FREE OF DIRT, OIL, AND CONTAMINANTS		APPROVED	DATE	SCALE 1:1	REV A
				ILLUSTRATION SHEET 1 OF 1	