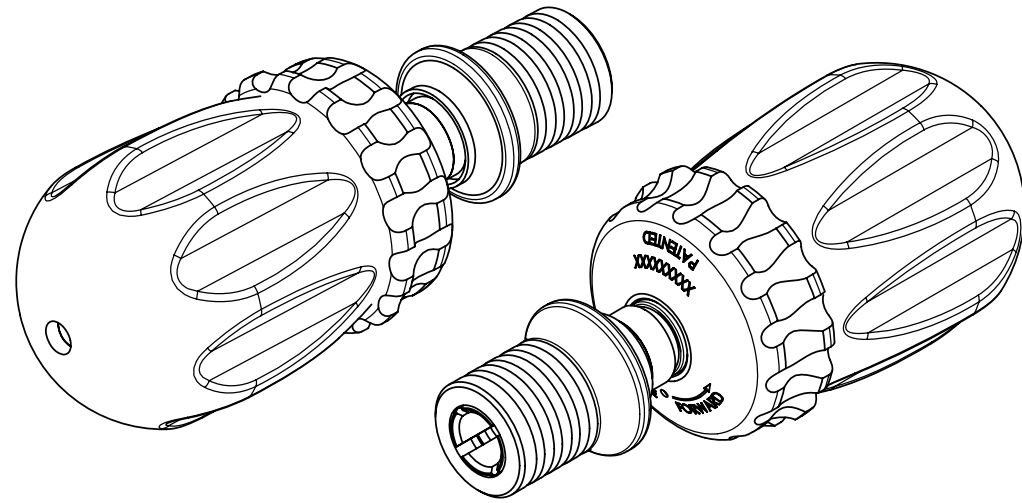


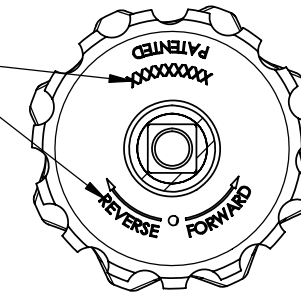
FOR REFERENCE ONLY

REVISIONS: PR323000-___(CC)

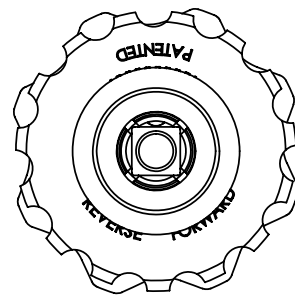
REV	DESCRIPTION	DATE/BY	DCN
-----	-------------	---------	-----



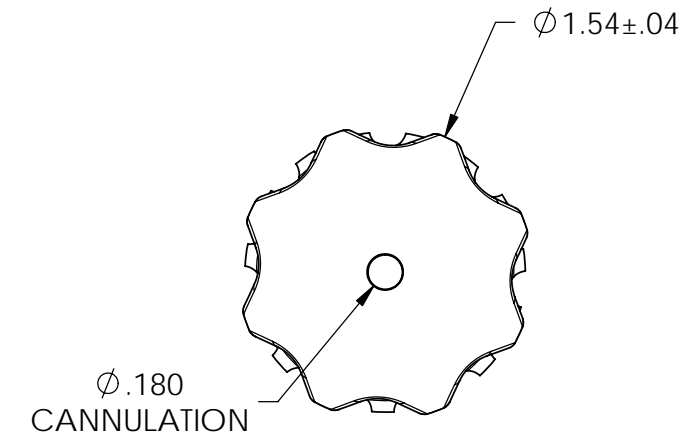
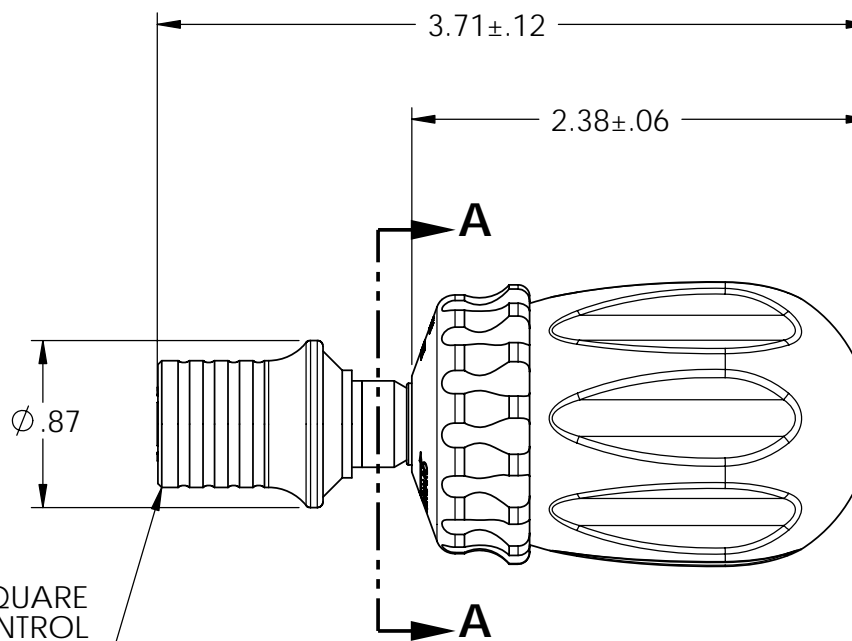
STANDARD CAP
LASER MARKING



SECTION A-A
LASER MARKING
DETAIL



1/4" SQUARE
TRU-CONTROL
LOCKING ADAPTER



THIS DOCUMENT INCLUDING ALL DATA, SPECIFICATIONS, AND INFORMATION CONTAINED WITHIN IS CONFIDENTIAL AND PROPRIETARY TO TELEFLEX MEDICAL BY RETENTION. THE RECIPIENT AGREES NOT TO REPRODUCE, DISCLOSE, OR MAKE USE OF ITS CONTENTS IN ANY WAY, WITHOUT PRIOR WRITTEN PERMISSION OF AN OFFICER OF TELEFLEX MEDICAL.

PR323000-___(CC)	CUSTOMER REF	MATERIAL	UNSPECIFIED TOLERANCES INCHES		beere KMedic 5307 95th Avenue Kenosha, WI 53144, USA Phone: 262-657-2800 Fax: 262-657-2801 www.teleflexmedical.com			
	SOLIDMODEL PR323000-___(CC)	HEAT TREAT	X +/- .020	ANGLE +/- 1°				
	FORGING	FINISH	XX +/- .010	MACHINE	CONCENTRICITY .005 T.I.R.	TITLE RTCL, PLM CANN 1/4 SQ TCL ADPT		
	DENOTES INSPECTION FEATURE	REMOVE ALL BURRS BREAK SHARP CORNERS PART TO BE FREE OF DIRT, OIL AND CONTAMINANTS	XXX +/- .005 XXXX +/- .0005	FINISH 32	SQUARENESS .001 PER. IN. DO NOT SCALE DRAWING		DRAWING NO. PR323000-___(CC)	
THIRD ANGLE VIEW			DRAWN CER DATE 03/12/08 APPROVED DATE	SIZE B SCALE 1:1 UNITS INCHES	SUPERSEDED NO. SHEET 1 OF 1	REV A ILLUSTRATION		