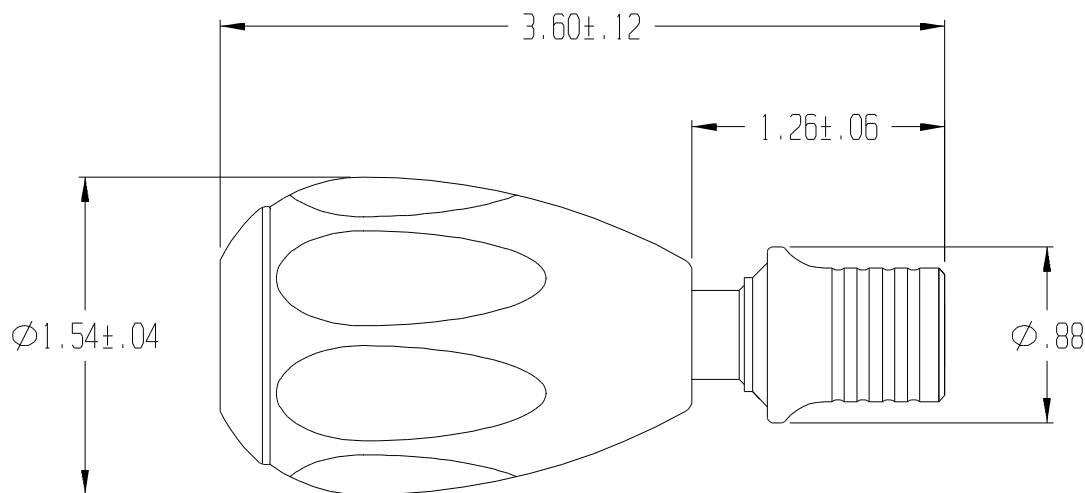
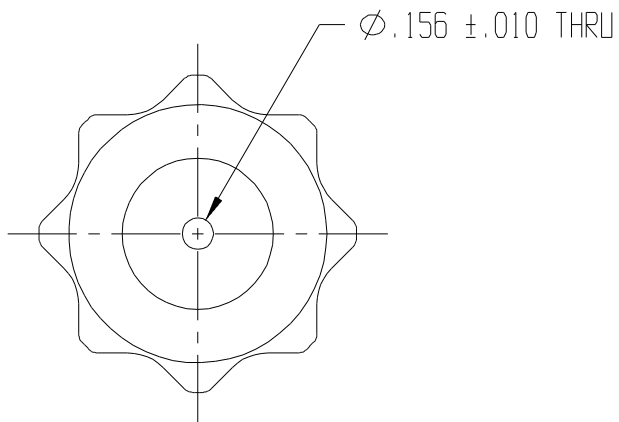


FOR REFERENCE ONLY

REVISIONS - PT101__ - __ (cc)

REV	DESCRIPTION	DATE/BY	DCN NO.



PRODUCT SPECIFICATIONS MUST BE FILLED IN AT TIME OF ORDER:

COMPLETE PART NUMBER: _____

TORQUE SETTING: _____ ±10% (50 LB-IN MAX)

COLOR OF HANDLE: _____

APPROVAL/DATE: _____

THIS DOCUMENT, INCLUDING ALL DATA, SPECIFICATIONS, AND INFORMATION CONTAINED WITHIN, IS CONFIDENTIAL AND PROPRIETARY TO BEERE PRECISION MEDICAL INSTRUMENTS BY RETENTION. THE RECIPIENT AGREES NOT TO REPRODUCE, DISCLOSE, OR MAKE USE OF ITS CONTENTS IN ANY WAY, WITHOUT PRIOR WRITTEN PERMISSION OF AN OFFICER OF BEERE PRECISION MEDICAL INSTRUMENTS.

MATERIAL	UNSPECIFIED TOLERANCES .X +/- .020 ANGLE +/- 1° .XX +/- .010 MACHINE .XXX +/- .005 FINISH 32✓ .XXXX +/- .0005	BEERE PRECISION MEDICAL INSTRUMENTS 5307 95th AVENUE KENOSHA, WI 53144 (262) 657-2800
HEAT TREAT	CONCENTRICITY .005 T. I. R. SQUARENESS .001 PER IN.	TITLE PLM T-LMT, 1/4" SQ QLOK
FINISH	DO NOT SCALE DRAWING	SIZE SUPERSEDED NO DWG NO PT101__ - __ (cc) A
REMOVE ALL BURRS	BREAK SHARP CORNERS	SCALE 1 : 1 ILLUSTRATION SHEET 1 OF 1
PART TO BE FREE OF DIRT, OIL, AND CONTAMINANTS	DRAWN DATE JAR 12/22/98 APPROVED DATE	