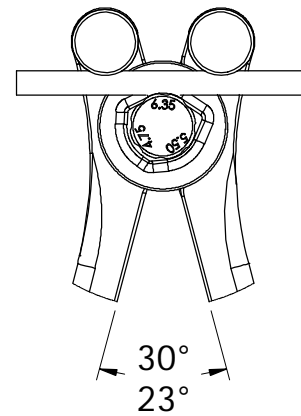


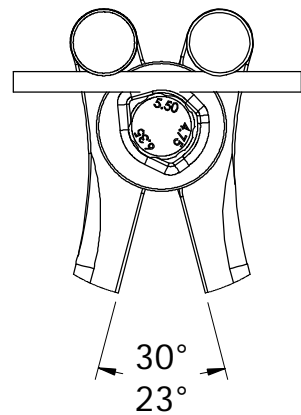
FOR REFERENCE ONLY

REVISIONS - RB101004

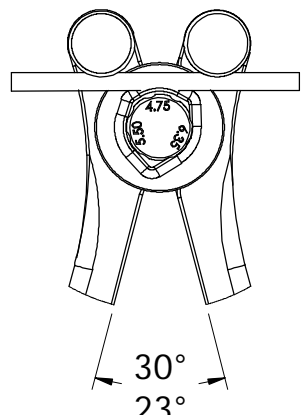
REV	DESCRIPTION	DATE/BY	DCN NO.



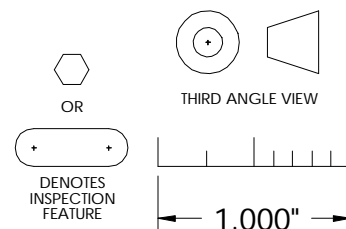
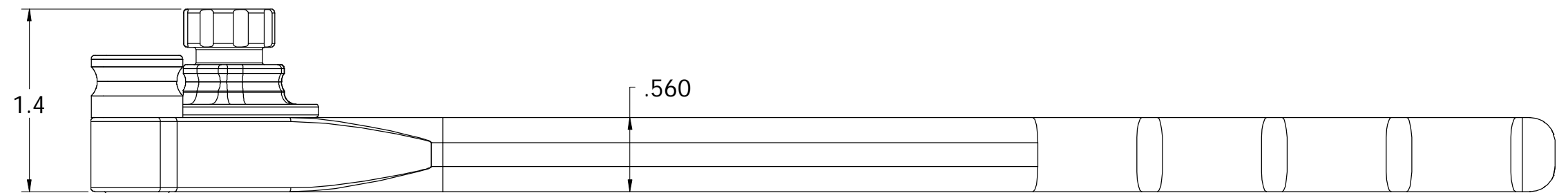
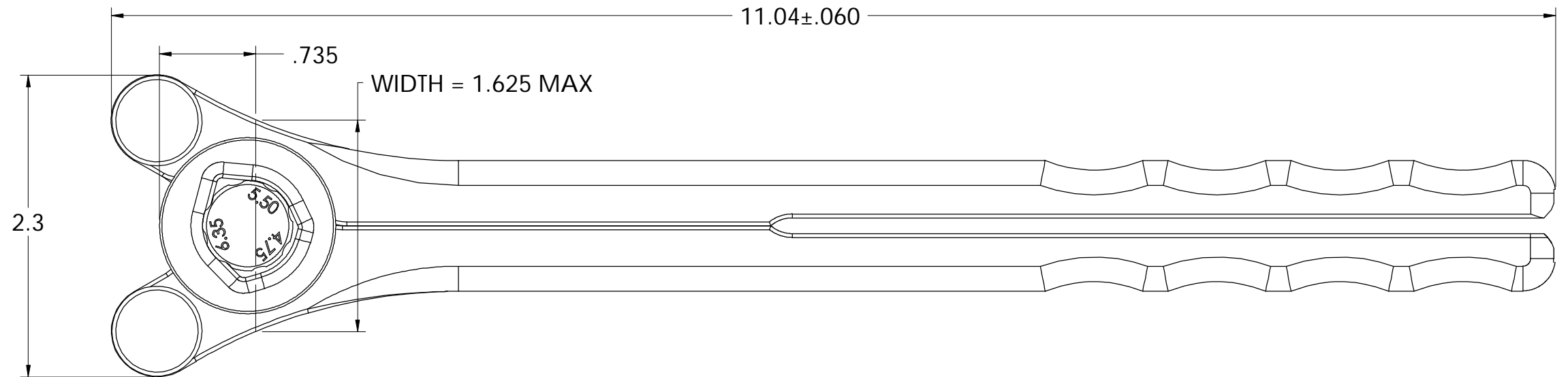
HANDLE ANGLE AT 6.35 POSITION
WITH ϕ 6.35mm ROD




HANDLE ANGLE AT 5.50 POSITION
WITH ϕ 5.50mm ROD



HANDLE ANGLE AT 4.75 POSITION
WITH ϕ 4.75mm ROD



RB101004	MATERIAL	UNSPECIFIED TOLERANCES		 beere PRECISION medical INSTRUMENTS 5307 95TH AVE KENOSHA, WI 53144 (262) 657-2800	
	HEAT TREAT	.X ±.020 .XX ±.010 .XXX ±.005 .XXXX ±.0005	ANGLE ±1° MACHINE FINISH 32		
	FINISH	CONCENTRICITY .005 T.I.R. SQUARENESS .005 T.I.R. DO NOT SCALE DRAWING		TITLE FRENCH BENDER FOR 6.35, 5.50, AND 4.75mm DIA. RODS	
	REMOVE ALL BURRS	BREAK SHARP CORNERS	DRAWN JAR DATE 5/18/01	SIZE B SUPERSEDED NO.	DRAWING NO. RB101004
PART TO BE FREE OF DIRT, OIL AND CONTAMINANTS		APPROVED	DATE	SCALE 1:1	ILLUSTRATION SHEET 1 OF 1

THIS DOCUMENT INCLUDING ALL DATA, SPECIFICATIONS, AND INFORMATION CONTAINED WITHIN IS CONFIDENTIAL AND PROPRIETARY TO BEERE PRECISION MEDICAL INSTRUMENTS BY RETENTION. THE RECIPIENT AGREES NOT TO REPRODUCE, DISCLOSE, OR MAKE USE OF ITS CONTENTS IN ANY WAY, WITHOUT PRIOR WRITTEN PERMISSION OF AN OFFICER OF BEERE PRECISION MEDICAL INSTRUMENTS.