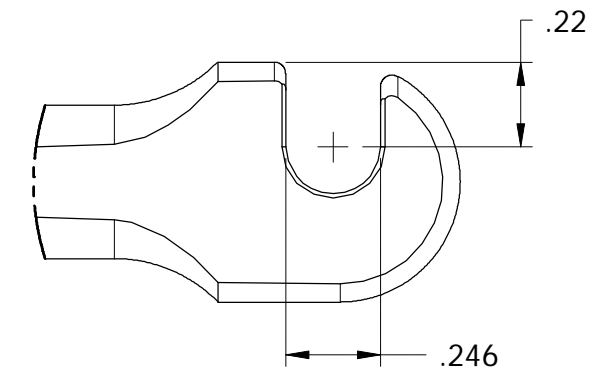
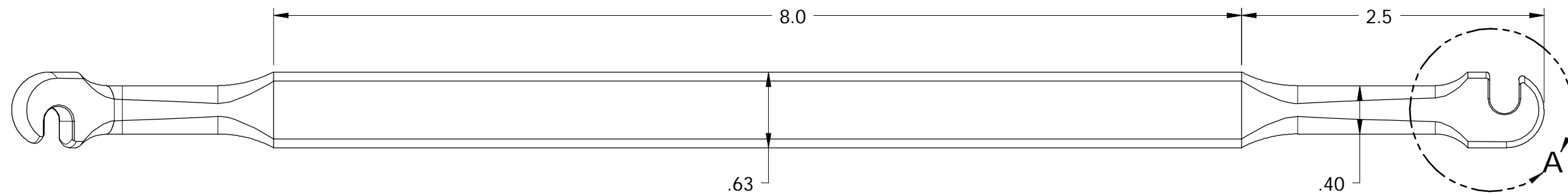
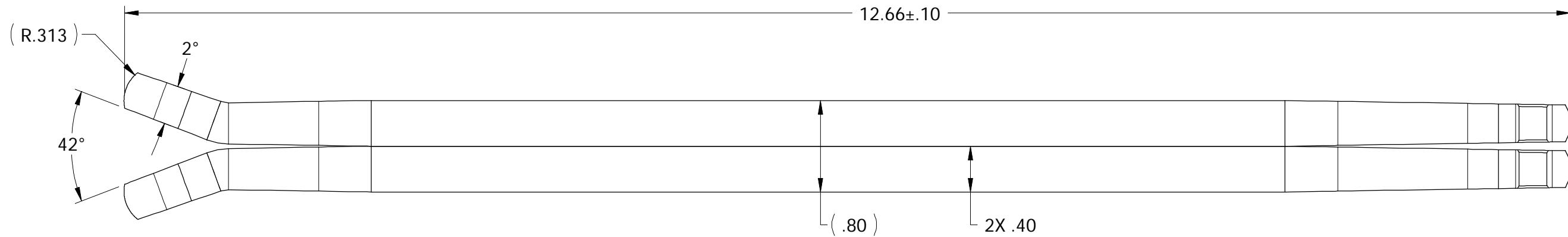


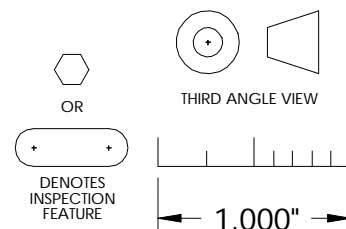
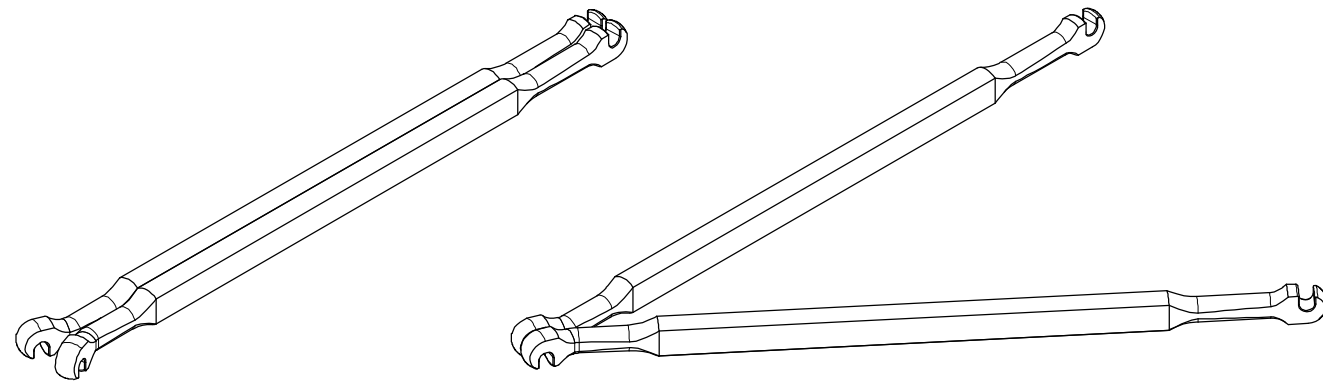
# FOR REFERENCE ONLY

## REVISIONS - RB301000

REV	DESCRIPTION	DATE/BY	ECN NO.



**DETAIL A**  
**SCALE 2 : 1**



<b>RB301000</b>	MATERIAL	SEE COMPONENTS		UNSPECIFIED TOLERANCES		<b>beere</b> PRECISION <b>medical</b> INSTRUMENTS 5307 95TH AVE KENOSHA, WI 53144 (262) 657-2800									
	HEAT TREAT			.X ±.020	ANGLE ±1°										
	FINISH			.XX ±.010	MACHINE FINISH 32										
				.XXX ±.005											
			.XXXX ±.0005		CONCENTRICITY .005 T.I.R. SQUARENESS .005 T.I.R. DO NOT SCALE DRAWING		<b>ROD BND, IN-SITU</b> <b>Ø6mm ROD</b>								
REMOVE ALL BURRS	BREAK SHARP CORNERS		DRAWN	KPL	DATE	07/15/03			SIZE	B	SUPERSEDED NO.	DRAWING NO.	RB301000	REV	00
PART TO BE FREE OF DIRT, OIL AND CONTAMINANTS				APPROVED			DATE			SCALE	1:1		ILLUSTRATION	SHEET	1 OF 1

THIS DOCUMENT INCLUDING ALL DATA, SPECIFICATIONS, AND INFORMATION CONTAINED WITHIN IS CONFIDENTIAL AND PROPRIETARY TO BEERE PRECISION MEDICAL INSTRUMENTS, INC. BY RETENTION, THE RECIPIENT AGREES NOT TO REPRODUCE, DISCLOSE, OR MAKE USE OF ITS CONTENTS IN ANY WAY WITHOUT PRIOR WRITTEN PERMISSION OF AN OFFICER OF BEERE PRECISION MEDICAL INSTRUMENTS, INC.