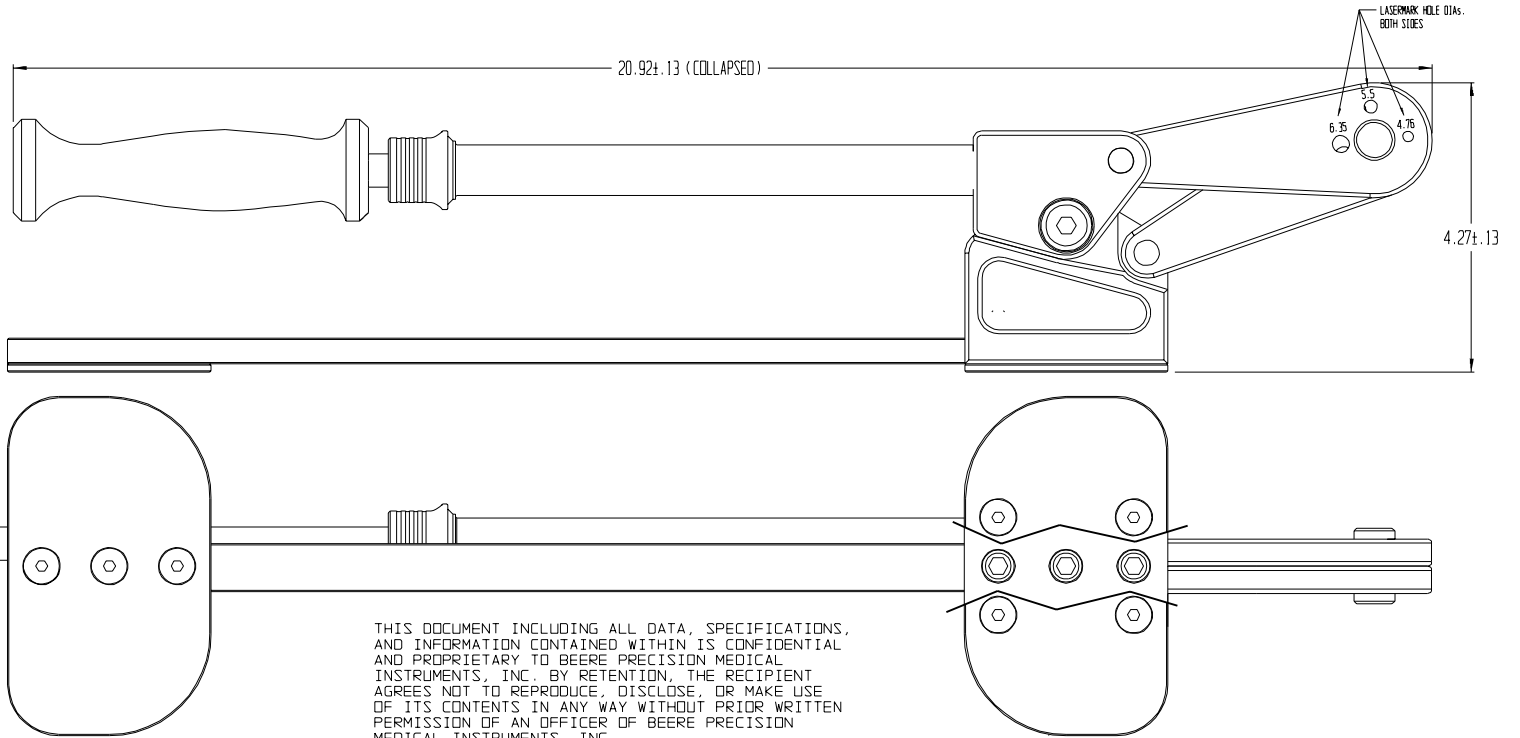


FOR REFERENCE ONLY

REVISIONS			
REV	DESCRIPTION	DATE/BY	ECD NO.



THIS DOCUMENT INCLUDING ALL DATA, SPECIFICATIONS, AND INFORMATION CONTAINED WITHIN IS CONFIDENTIAL AND PROPRIETARY TO BEERE PRECISION MEDICAL INSTRUMENTS, INC. BY RETENTION, THE RECIPIENT AGREES NOT TO REPRODUCE, DISCLOSE, OR MAKE USE OF ITS CONTENTS IN ANY WAY WITHOUT PRIOR WRITTEN PERMISSION OF AN OFFICER OF BEERE PRECISION MEDICAL INSTRUMENTS, INC.

RC304000	MATERIAL	UNSPECIFIED TOLERANCES		BEERE PRECISION MEDICAL INSTRUMENTS, INC. 2503 LINCOLNWOOD CT., RACINE WI 53403 (262) 554-8505	
	HEAT TREAT	X +/- .020	ANGLE +/- 1°		
	FINISH	.XX +/- .010	MACHINE FINISH 32	TITLE TABLE TOP ROD CUTTER, COLLAPSIBLE HANDLE FOR 1/4", 5.5mm, AND 3/16" DIAMETER RODS	
		.XXX +/- .005	CONCENTRICITY .005 T. I. R.		
DO NOT SCALE DRAWING		DATE	DATE	SIZE	REV
REMOVE ALL BURRS BREAK SHARP CORNERS		DRAWN JAR	DATE 10/8/99	B	N/C
PART TO BE FREE OF DIRT, OIL, AND CONTAMINANTS		APPROVED	DATE	SCALE	ILLUSTRATION
				1:2	SHEET 1 OF 1