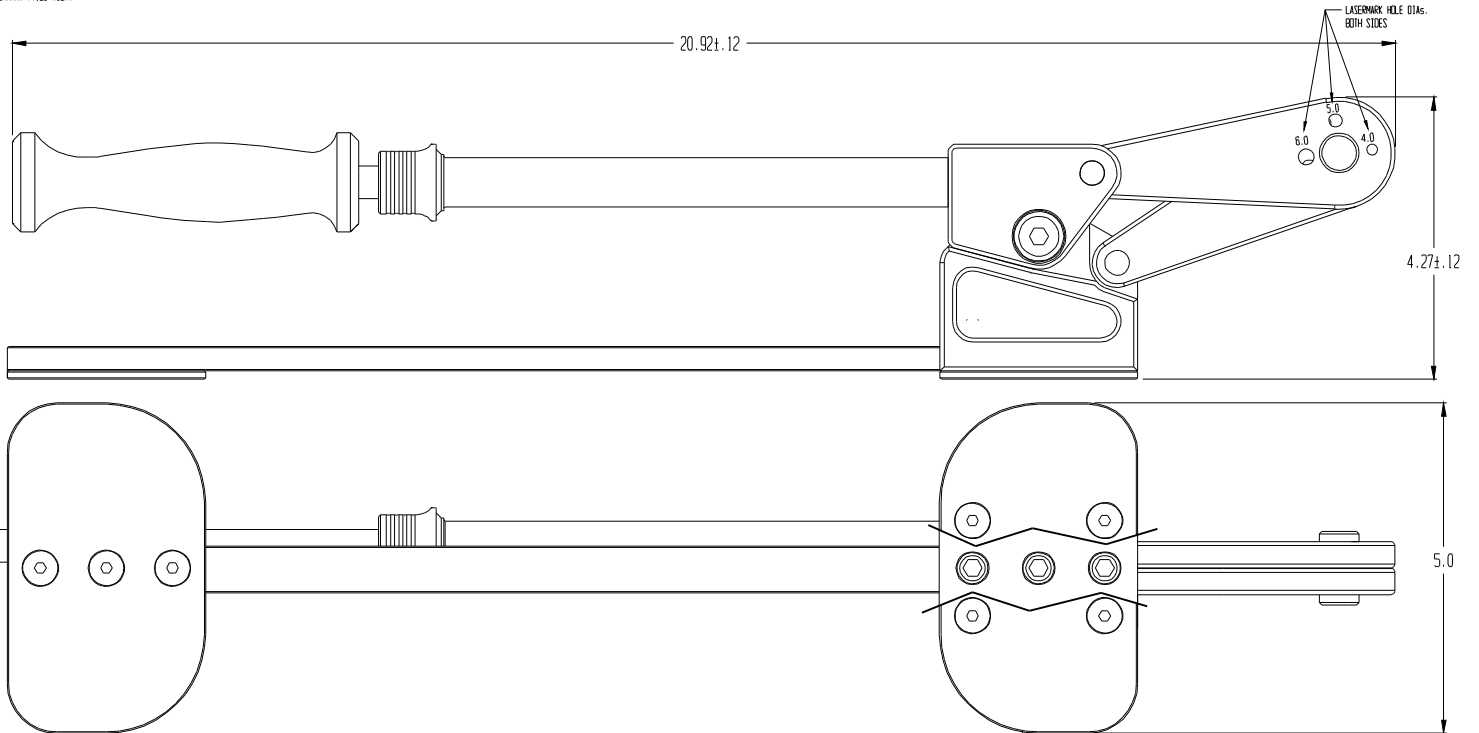
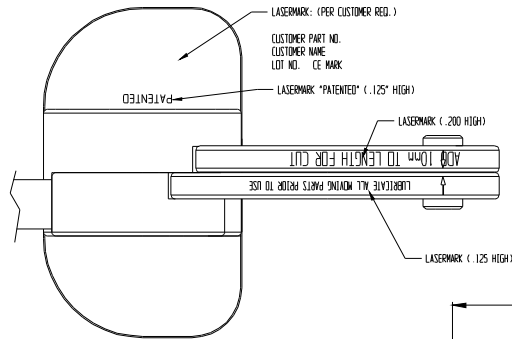


REVISIONS

REV	DESCRIPTION	DATE/BY	ECD NO.

FOR REFERENCE ONLY



THIS DOCUMENT INCLUDING ALL DATA, SPECIFICATIONS, AND INFORMATION CONTAINED WITHIN IS CONFIDENTIAL AND PROPRIETARY TO BEERE PRECISION MEDICAL INSTRUMENTS, INC. BY RETENTION, THE RECIPIENT AGREES NOT TO REPRODUCE, DISCLOSE, OR MAKE USE OF ITS CONTENTS IN ANY WAY WITHOUT PRIOR WRITTEN PERMISSION OF AN OFFICER OF BEERE PRECISION MEDICAL INSTRUMENTS, INC.

RC304001-	MATERIAL	UNSPECIFIED TOLERANCES		BEERE PRECISION MEDICAL INSTRUMENTS, INC. 2503 LINCOLNWOOD CT., RACINE WI 53403 (262) 554-8505	
	HEAT TREAT	X +/- .020	ANGLE +/- 1°	TITLE TABLE TOP ROD CUTTER, COLLASPTIBLE HANDLE FOR 4.0mm, 5.0mm, AND 6.0mm DIAMETER RODS	
	FINISH	XX +/- .010	MACHINE FINISH 32 ✓		
		XXX +/- .005	DO NOT SCALE DRAWING		
	XXXX +/- .0005	CONCENTRICITY .005 T. I. R.	DATE 5/30/00	SIZE B	SUPERSEDED NO.
		SQUARENESS .001 PER IN.	APPROVED	SCALE 1:2	DWG NO RC304001- (CC) N/C
	REMOVE ALL BURRS	BREAK SHARP CORNERS	DATE	ILLUSTRATION	REV N/C
	PART TO BE FREE OF DIRT, OIL, AND CONTAMINANTS			SHEET 1 OF 1	