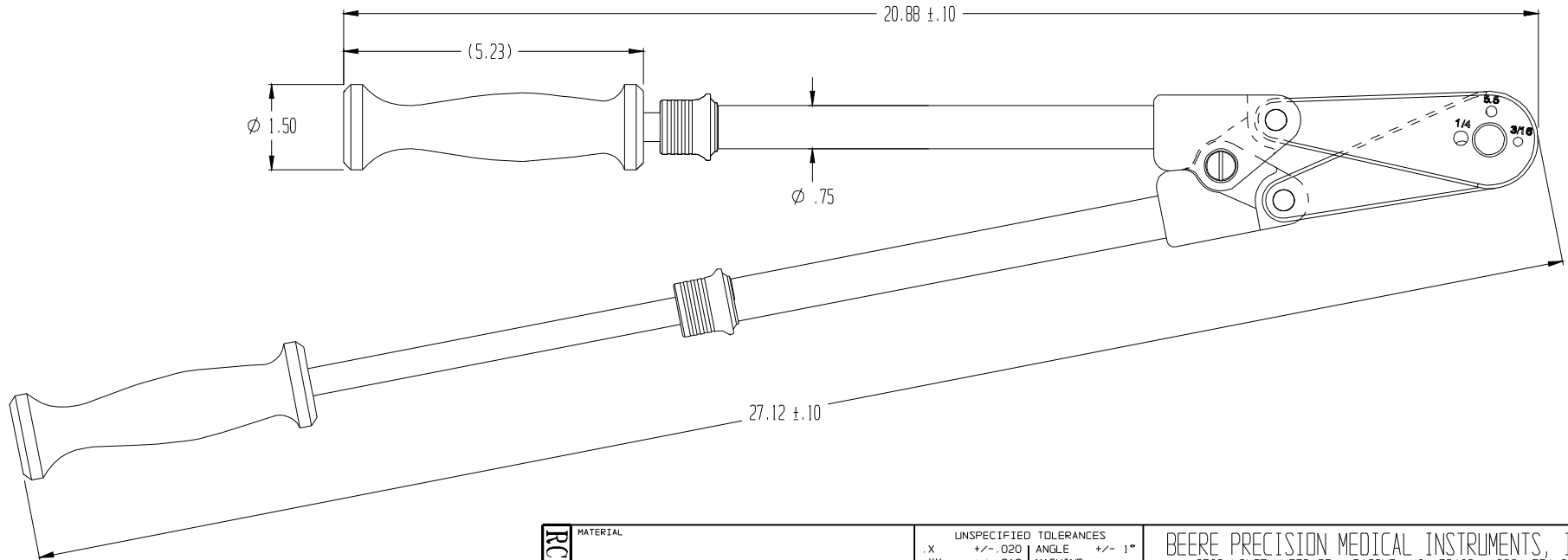
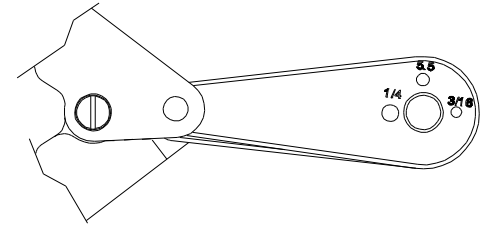


FOR REFERENCE ONLY

REVISIONS			
REV	DESCRIPTION	DATE/BY	ECD NO.



THIS DOCUMENT INCLUDING ALL DATA, SPECIFICATIONS, AND INFORMATION CONTAINED WITHIN IS CONFIDENTIAL AND PROPRIETARY TO BEERE PRECISION MEDICAL INSTRUMENTS, INC. BY RETENTION, THE RECIPIENT AGREES NOT TO REPRODUCE, DISCLOSE, OR MAKE USE OF ITS CONTENTS IN ANY WAY WITHOUT PRIOR WRITTEN PERMISSION OF AN OFFICER OF BEERE PRECISION MEDICAL INSTRUMENTS, INC.

RC404000	MATERIAL	UNSPECIFIED TOLERANCES		BEERE PRECISION MEDICAL INSTRUMENTS, INC. 2503 LINCOLNWOOD CT., RACINE WI 53403 (262) 554-8505	
	HEAT TREAT	X +/- .020	ANGLE +/- 1°	TITLE HAND HELD ROD CUTTER, COLLAPSIBLE FOR 1/4", 5.5mm, AND 3/16" DIAMETER RODS	
	FINISH	XX +/- .010	MACHINE FINISH 32 ✓		
		XXX +/- .005	CONCENTRICITY .005 T. I. R.	DO NOT SCALE DRAWING	
	XXXX +/- .0005	SQUARENESS .001 PER IN.	DRAWN JAR	DATE 10/8/99	SIZE B
			APPROVED	DATE	SUPERSEDED NO.
	REMOVE ALL BURRS	BREAK SHARP CORNERS			DWG NO. RC404000-
	PART TO BE FREE OF DIRT, OIL, AND CONTAMINANTS				CC A
					SCALE 1:2
					ILLUSTRATION SHEET 1 OF 1