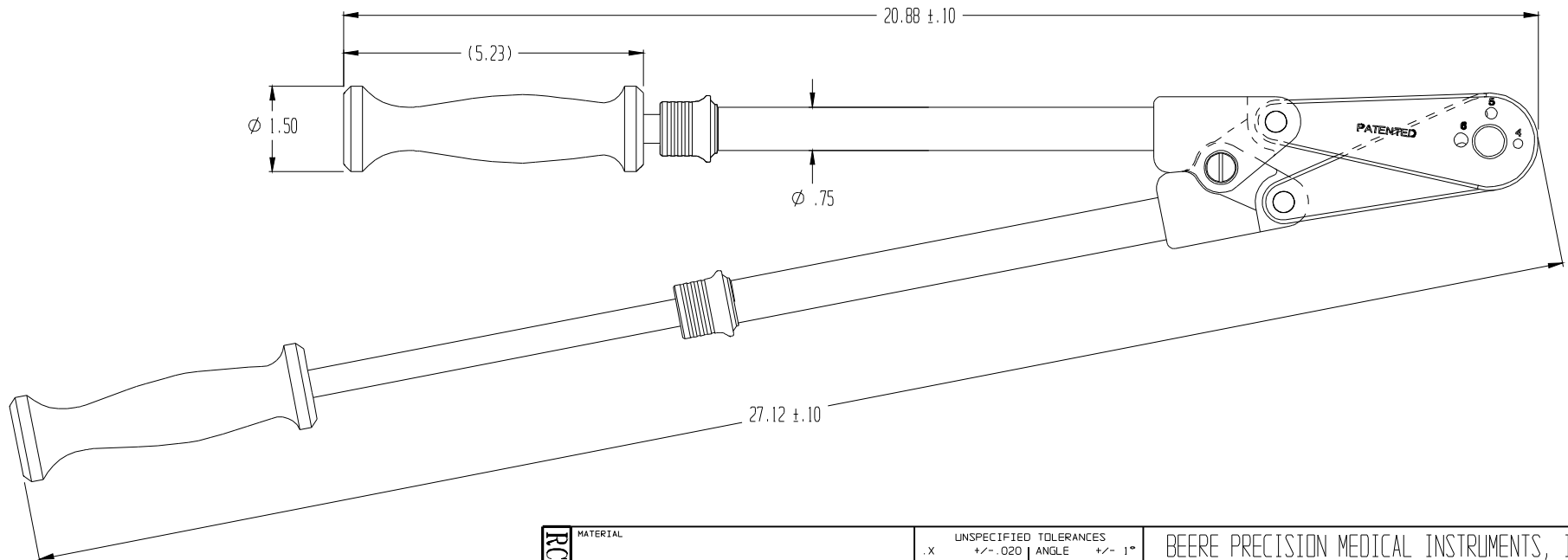
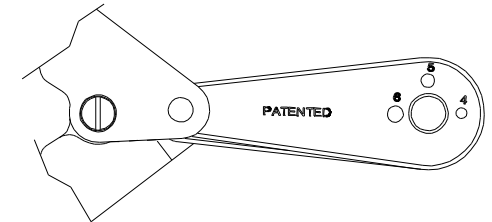


# FOR REFERENCE ONLY

REVISIONS			
REV	DESCRIPTION	DATE/BY	ECD NO.



THIS DOCUMENT INCLUDING ALL DATA, SPECIFICATIONS, AND INFORMATION CONTAINED WITHIN IS CONFIDENTIAL AND PROPRIETARY TO BEERE PRECISION MEDICAL INSTRUMENTS, INC. BY RETENTION, THE RECIPIENT AGREES NOT TO REPRODUCE, DISCLOSE, OR MAKE USE OF ITS CONTENTS IN ANY WAY WITHOUT PRIOR WRITTEN PERMISSION OF AN OFFICER OF BEERE PRECISION MEDICAL INSTRUMENTS, INC.

RC404001-	MATERIAL	UNSPECIFIED TOLERANCES		BEERE PRECISION MEDICAL INSTRUMENTS, INC. 2503 LINCOLNWOOD CT., RACINE WI 53403 (262) 554-8505	
	HEAT TREAT	X +/- .020	ANGLE +/- 1°	TITLE HAND HELD ROD CUTTER, COLLASPIBLE FOR 4, 5, AND 6mm DIAMETER RODS	
	FINISH	XX +/- .010	MACHINE FINISH 32 ✓		
		XXX +/- .005	CONCENTRICITY .005 T. I. R.	SIZE B	
	XXXX +/- .0005	SQUARENESS .001 PER IN.	DO NOT SCALE DRAWING		REV N/C
	REMOVE ALL BURRS	BREAK SHARP CORNERS	DRAWN JAR	DATE 10/8/99	SCALE 1:2
	PART TO BE FREE OF DIRT, OIL, AND CONTAMINANTS		APPROVED	DATE	ILLUSTRATION SHEET 1 OF 1