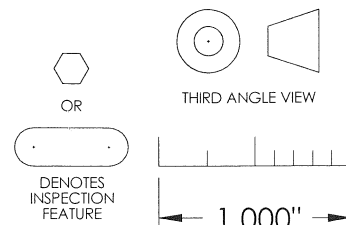
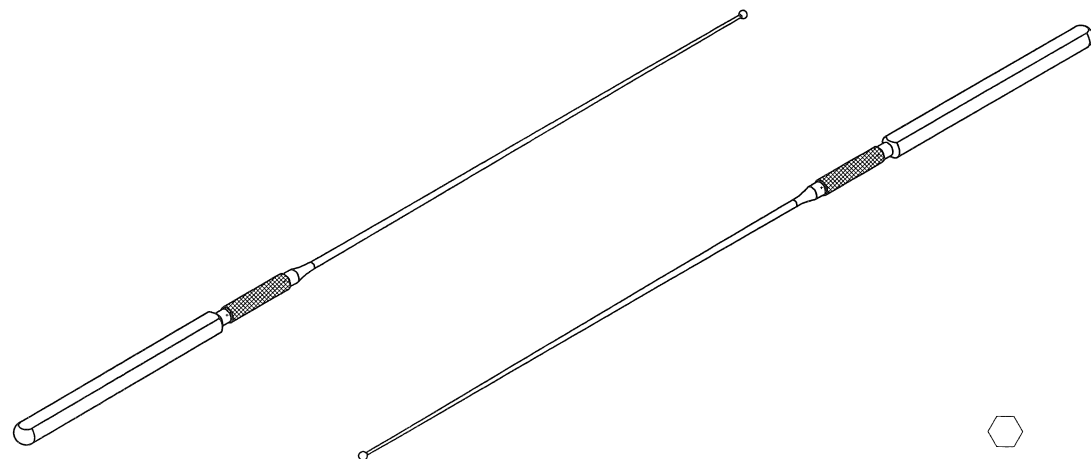
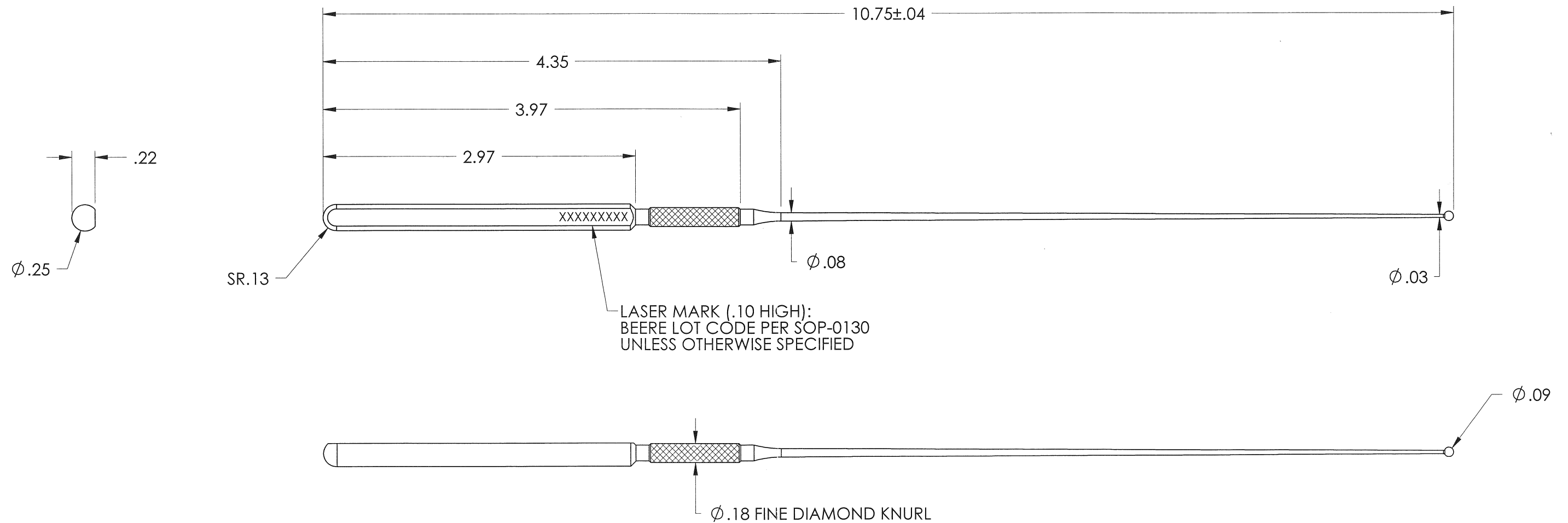



# FOR REFERENCE ONLY

## REVISIONS - SP101172

REV	DESCRIPTION	DATE/BY	DCN NO.



THIS DOCUMENT INCLUDING ALL DATA, SPECIFICATIONS, AND INFORMATION CONTAINED WITHIN IS CONFIDENTIAL AND PROPRIETARY TO BEERE PRECISION MEDICAL INSTRUMENTS BY RETENTION. THE RECIPIENT AGREES NOT TO REPRODUCE, DISCLOSE, OR MAKE USE OF ITS CONTENTS IN ANY WAY, WITHOUT PRIOR WRITTEN PERMISSION OF AN OFFICER OF BEERE PRECISION MEDICAL INSTRUMENTS.

SP101172	MATERIAL	455 SST		UNSPECIFIED TOLERANCES		 5307 95TH AVE KENOSHA, WI 53144 (262) 657-2800	
	HEAT TREAT			.X ±.020	ANGLE ±1°		
	FINISH			.XX ±.010	MACHINE FINISH 32	SIZE	SUPERSEDED NO.
	REMOVE ALL BURRS		BREAK SHARP CORNERS		CONCENTRICITY .005 T.I.R.		DRAWING NO.
PART TO BE FREE OF DIRT, OIL AND CONTAMINANTS				SQUARENESS .005 T.I.R.		DRAWING NO. SP101172	
				DO NOT SCALE DRAWING			
				DRAWN	DATE		
				JAR	12/05/97		
				APPROVED	DATE		
				<i>JAR</i>	8/29/05		
				SCALE			
				1:1			
				ILLUSTRATION			
				SHEET			
				1 OF 1			