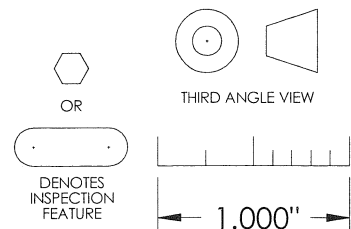
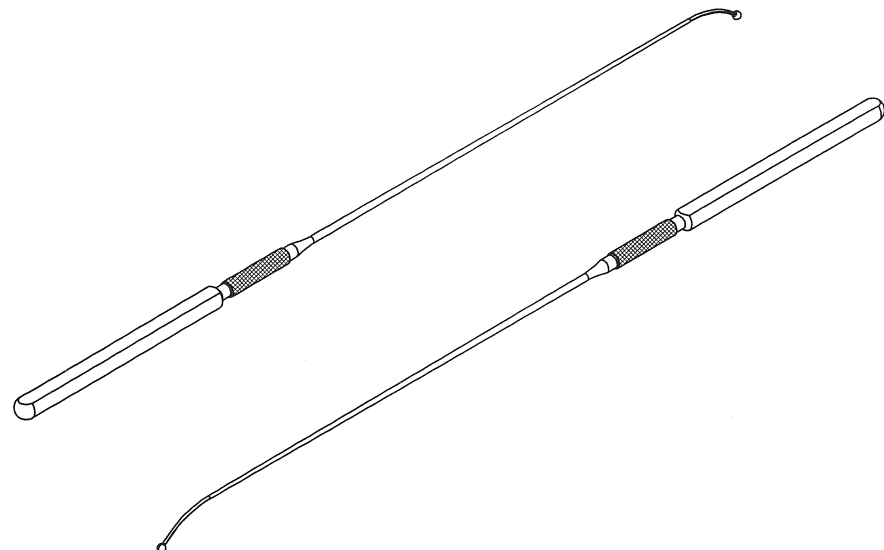
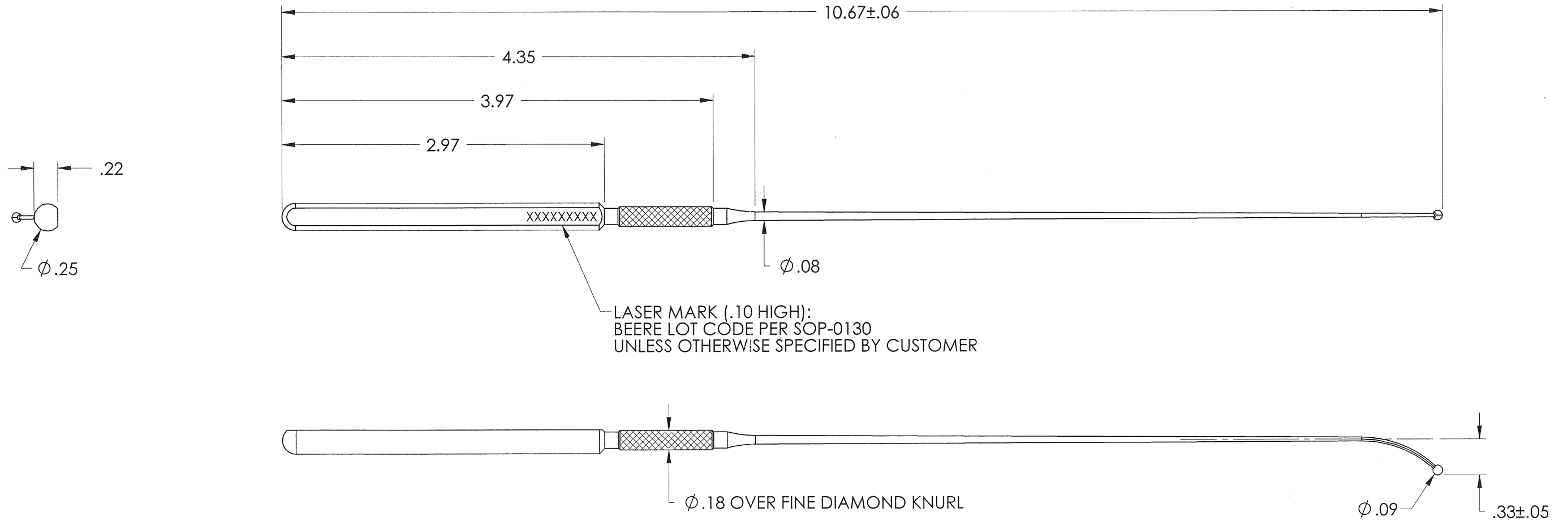



# FOR REFERENCE ONLY

## REVISIONS - SP102167

REV	DESCRIPTION	DATE/BY	DCN NO.



THIS DOCUMENT INCLUDING ALL DATA, SPECIFICATIONS, AND INFORMATION CONTAINED WITHIN IS CONFIDENTIAL AND PROPRIETARY TO BEERE PRECISION MEDICAL INSTRUMENTS BY RETENTION. THE RECIPIENT AGREES NOT TO REPRODUCE, DISCLOSE, OR MAKE USE OF ITS CONTENTS IN ANY WAY, WITHOUT PRIOR WRITTEN PERMISSION OF AN OFFICER OF BEERE PRECISION MEDICAL INSTRUMENTS.

SP102167	MATERIAL	455 SST		UNSPECIFIED TOLERANCES		 5307 95TH AVE KENOSHA, WI 53144 (262) 657-2800	
	HEAT TREAT			.X ±.020	ANGLE ±1°		
	FINISH			.XX ±.010	MACHINE FINISH <input checked="" type="checkbox"/>		
	REMOVE ALL BURRS		BREAK SHARP CORNERS		.XXX ±.005	32	
PART TO BE FREE OF DIRT, OIL AND CONTAMINANTS				CONCENTRICITY .005 T.I.R.		TITLE	
				SQUARENESS .005 T.I.R.		SNDR, STD CRV	
				DO NOT SCALE DRAWING			
DRAWN DAM		DATE 05/10/05		SIZE B	SUPERSEDED NO.	DRAWING NO.	REV F
APPROVED <i>[Signature]</i>		DATE 8/29/05		SCALE 1:1	SP102167		
				ILLUSTRATION		SHEET 1 OF 1	