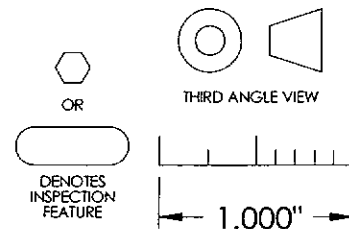
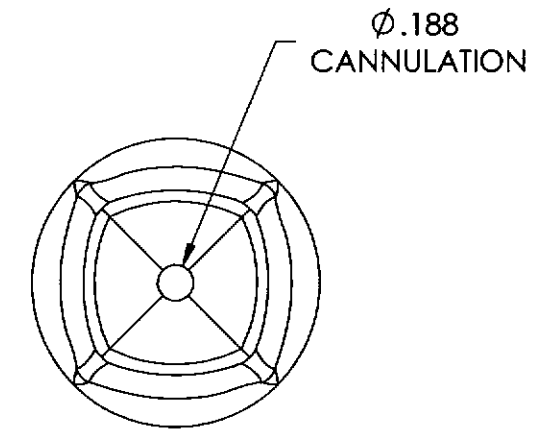
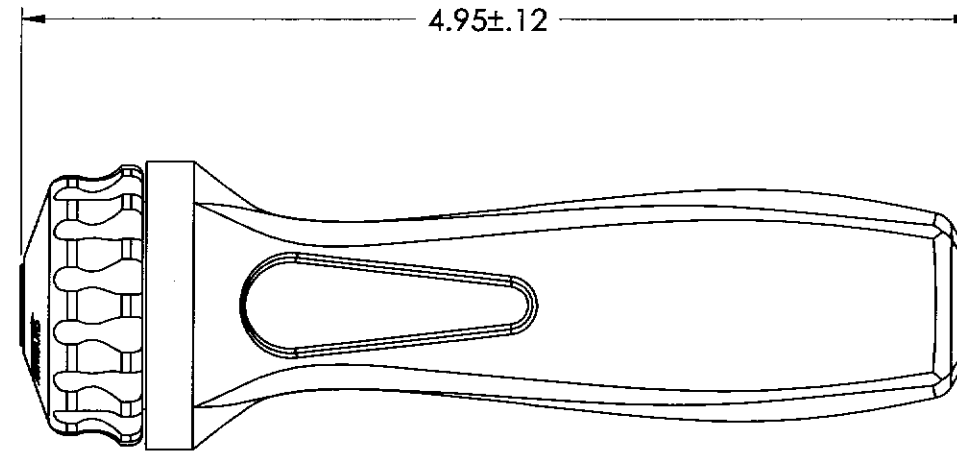
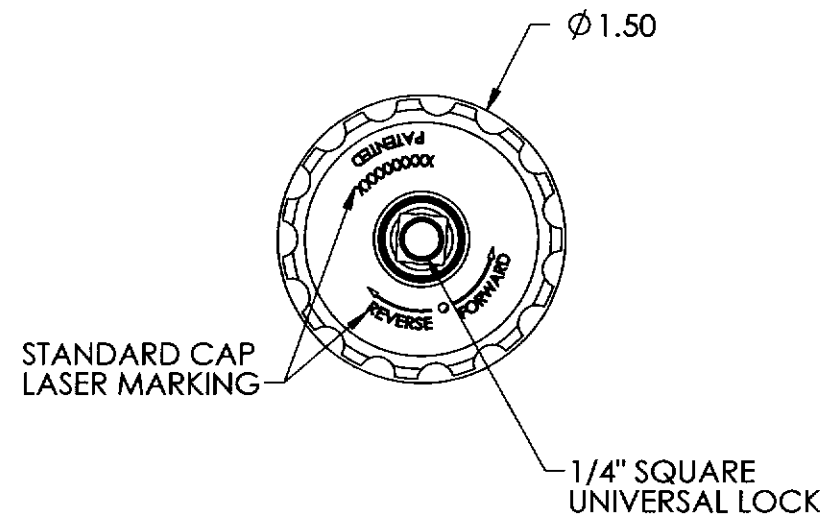
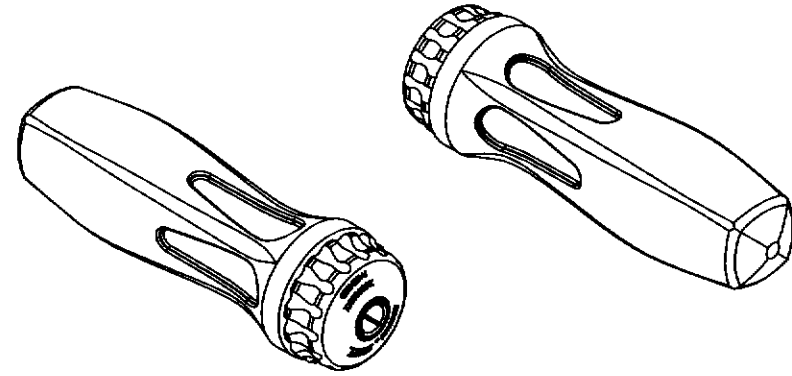



FOR REFERENCE ONLY

| REVISIONS - SR311000-___(cc) | | | |
|------------------------------|-------------|---------|---------|
| REV | DESCRIPTION | DATE/BY | DCN NO. |
| | | | |



| | | | | | | | |
|---|---|---|-------------------------------|---|--------|--|--|
| SR311000-___(cc) | MATERIAL | UNSPECIFIED TOLERANCES | |  beere PRECISION medical INSTRUMENTS | | 5307 95TH AVE KENOSHA, WI 53144 (262) 657-2800 | |
| | HEAT TREAT | .X ±.020 .XX ±.010 .XXX ±.005 .XXXX ±.0005 | ANGLE ±1° MACHINE FINISH ✓ | | | | |
| | FINISH | CONCENTRICITY .005 T.I.R. SQUARENESS .005 T.I.R. | | RTCH SD, AXIAL LG MIN PLAY | | | |
| | REMOVE ALL BURRS BREAK SHARP CORNERS | | DO NOT SCALE DRAWING | | | | |
| PART TO BE FREE OF DIRT, OIL AND CONTAMINANTS | | DRAWN HG DATE 05/21/03 | SIZE B SUPERSEDED NO. | DRAWING NO. SR311000-___(cc) | REV 00 | SCALE 1:1 SHEET 1 OF 1 | |
| | | APPROVED DATE | ILLUSTRATION | | | | |

THIS DOCUMENT INCLUDING ALL DATA, SPECIFICATIONS, AND INFORMATION CONTAINED WITHIN IS CONFIDENTIAL AND PROPRIETARY TO BEERE PRECISION MEDICAL INSTRUMENTS BY RETENTION. THE RECIPIENT AGREES NOT TO REPRODUCE, DISCLOSE, OR MAKE USE OF ITS CONTENTS IN ANY WAY, WITHOUT PRIOR WRITTEN PERMISSION OF AN OFFICER OF BEERE PRECISION MEDICAL INSTRUMENTS.