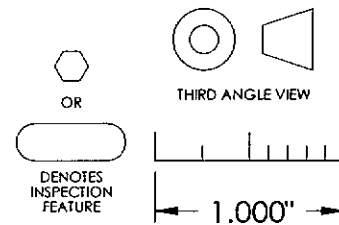
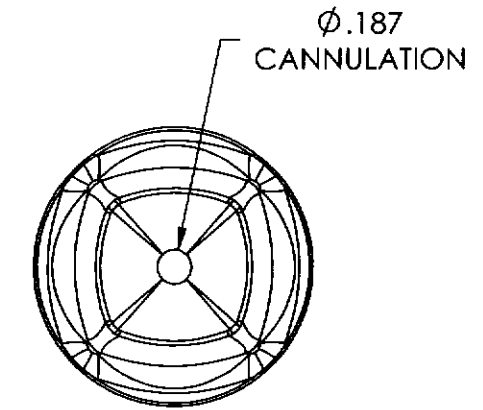
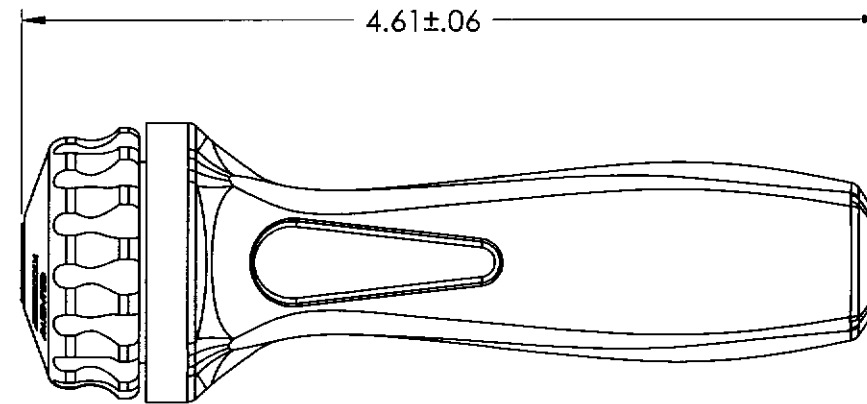
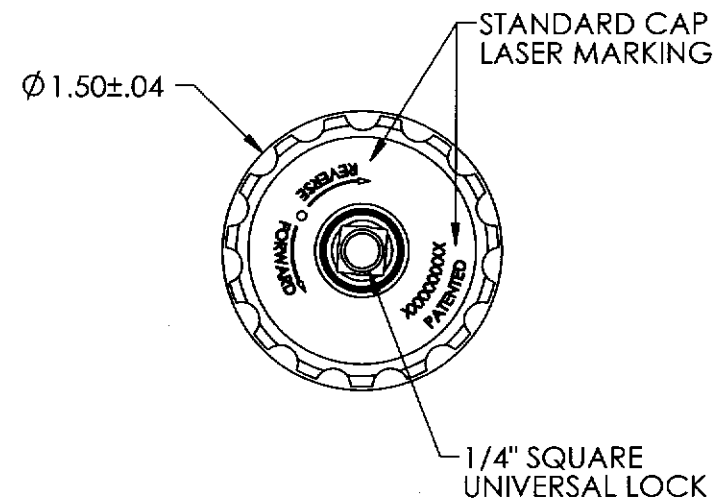
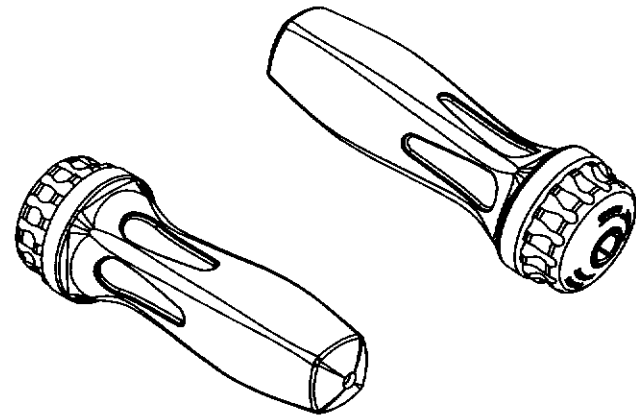



# FOR REFERENCE ONLY

REVISIONS - SR312000-___(cc)			
REV	DESCRIPTION	DATE/BY	ECN NO.



THIS DOCUMENT INCLUDING ALL DATA, SPECIFICATIONS, AND INFORMATION CONTAINED WITHIN IS CONFIDENTIAL AND PROPRIETARY TO BEERE PRECISION MEDICAL INSTRUMENTS BY RETENTION. THE RECIPIENT AGREES NOT TO REPRODUCE, DISCLOSE, OR MAKE USE OF ITS CONTENTS IN ANY WAY, WITHOUT PRIOR WRITTEN PERMISSION OF AN OFFICER OF BEERE PRECISION MEDICAL INSTRUMENTS.

SR312000-___(cc)	MATERIAL	UNSPECIFIED TOLERANCES		 <b>beere</b> PRECISION <b>medical</b> INSTRUMENTS		5307 95TH AVE KENOSHA, WI 53144 (262) 657-2800	
	HEAT TREAT	.X ±.020 .XX ±.010 .XXX ±.005 .XXXX ±.0005	ANGLE ±1° MACHINE FINISH 32/			TITLE <b>RTCH SD, SM HDL, MIN PLAY</b>	
	FINISH	CONCENTRICITY .005 T.I.R. SQUARENESS .005 T.I.R.		DRAWN HG			
	REMOVE ALL BURRS		BREAK SHARP CORNERS		APPROVED		DATE
PART TO BE FREE OF DIRT, OIL AND CONTAMINANTS				DO NOT SCALE DRAWING		DRAWING NO. SR312000-___(cc)	
						REV 00	
						ILLUSTRATION SHEET 1 OF 1	