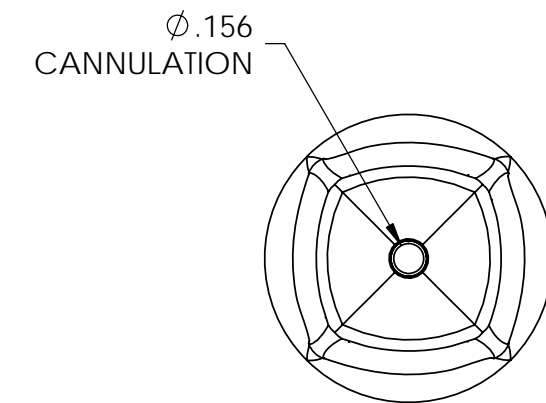
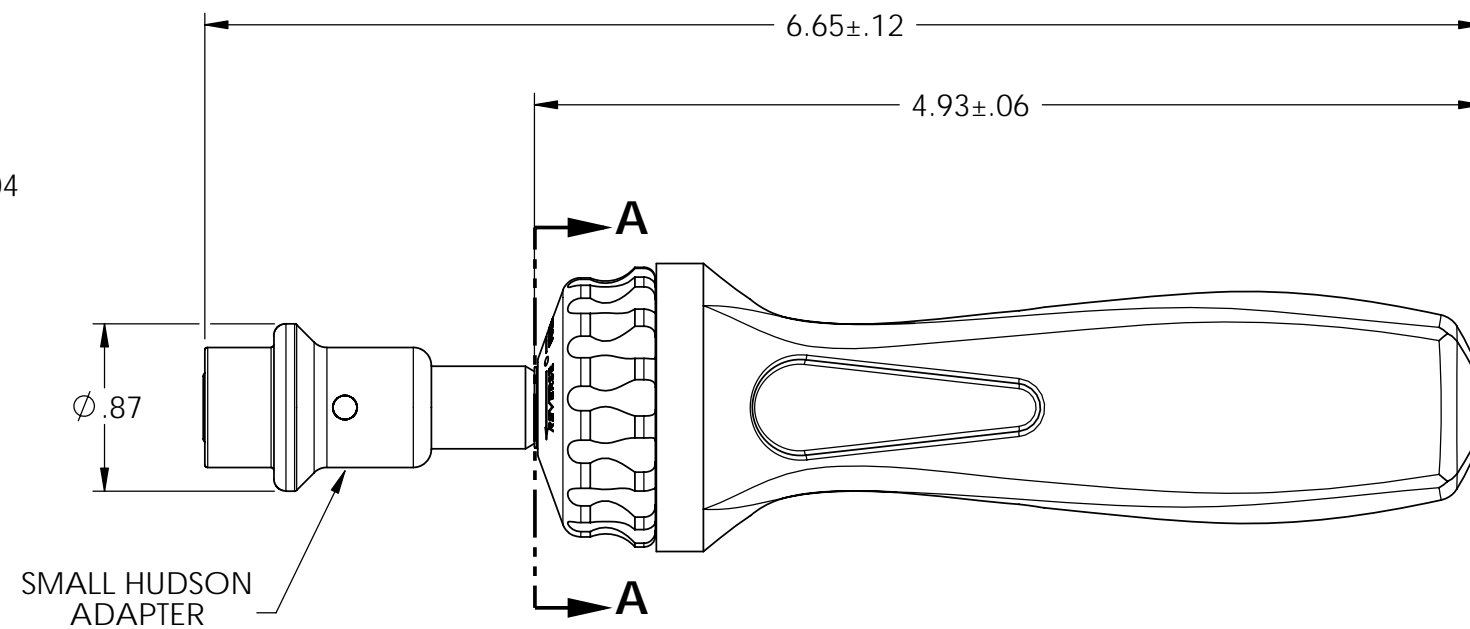
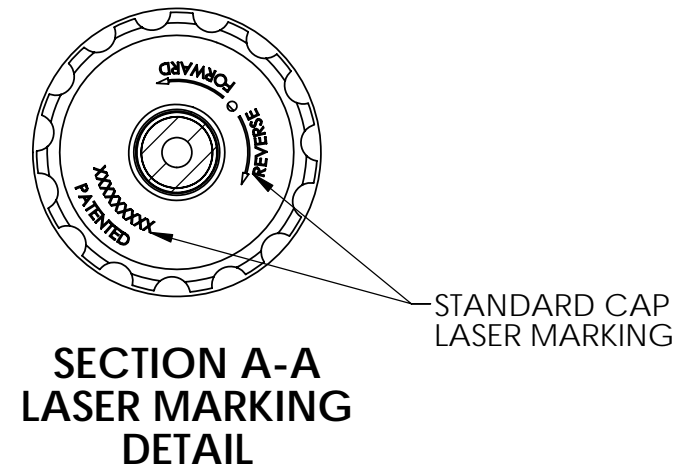
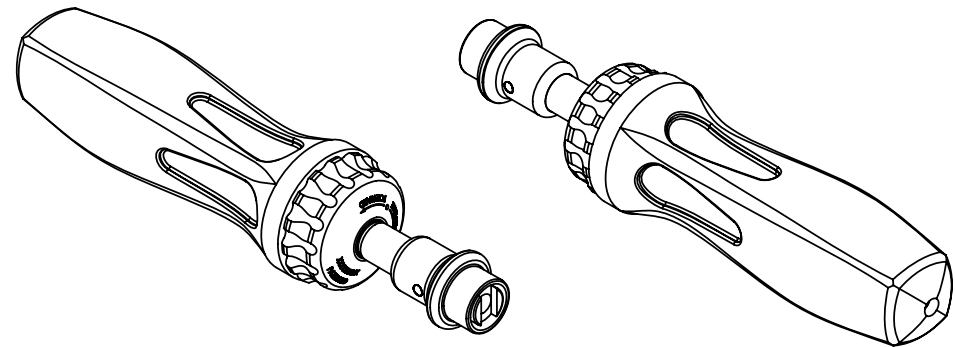


# FOR REFERENCE ONLY

REVISIONS

SR313000- \_\_\_\_ (CC)

REV.	DESCRIPTION	DATE	APPROVED
------	-------------	------	----------



THIS DOCUMENT INCLUDING ALL DATA, SPECIFICATIONS, AND INFORMATION CONTAINED WITHIN IS CONFIDENTIAL AND PROPRIETARY TO TELEFLEX MEDICAL BY RETENTION. THE RECIPIENT AGREES NOT TO REPRODUCE, DISCLOSE, OR MAKE USE OF ITS CONTENTS IN ANY WAY, WITHOUT PRIOR WRITTEN PERMISSION OF AN OFFICER OF TELEFLEX MEDICAL.

SR313000fault (cc)	CUSTOMER REF	MATERIAL	UNSPECIFIED TOLERANCES INCHES		<b>beere   KMedic</b> 5307 95th Avenue Kenosha, WI 53144, USA Phone: 262-657-2800 Fax: 262-657-2801 www.teleflexmedical.com					
	SOLIDMODEL SR313000- ____ (CC)	HEAT TREAT	X +/- .020	ANGLE +/- 1°						
	FORGING	FINISH	XX +/- .010	MACHINE	CONCENTRICITY .005 T.I.R. SQUARENESS .001 PER. IN. DO NOT SCALE DRAWING					
	DENOTES INSPECTION FEATURE	REMOVE ALL BURRS	BREAK SHARP CORNERS	XXX +/- .005	FINISH 32	DRAWN CER	DATE 02/20/08	SIZE B	SUPERSEDED NO.	DRAWING NO. SR313000- ____ (CC)
THIRD ANGLE VIEW	PART TO BE FREE OF DIRT, OIL AND CONTAMINANTS				APPROVED	DATE	SCALE 1:1	UNITS INCHES	TITLE RTCL, AXIAL LG CANN SM HUD ADPT	SHEET 1 OF 1