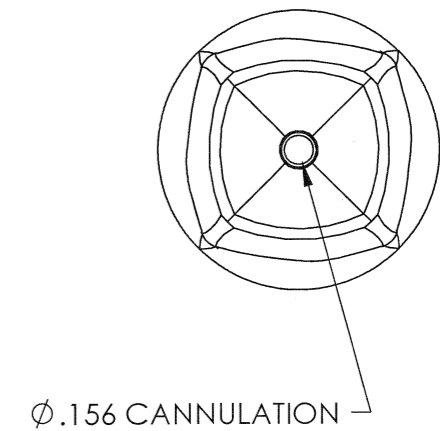
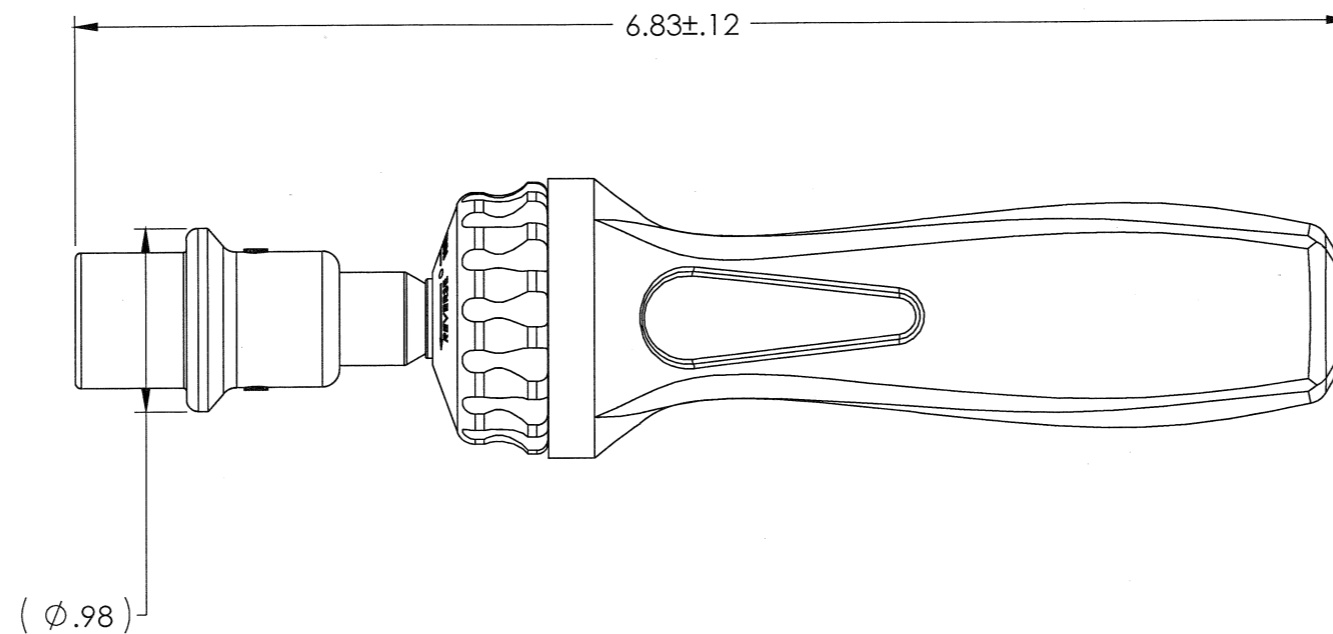
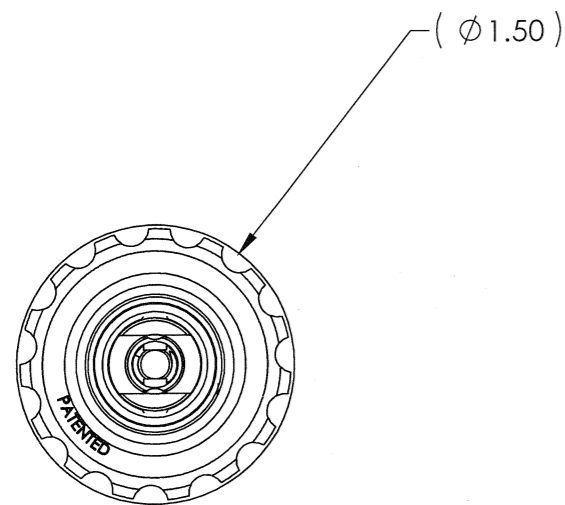
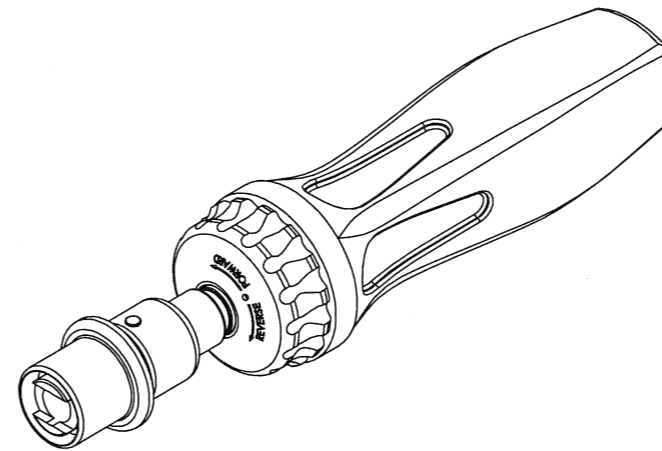


# FOR REFERENCE ONLY

REVISIONS:		SR314000-__ (cc)
REV	DESCRIPTION	DATE/BY DCN



THIS DOCUMENT INCLUDING ALL DATA, SPECIFICATIONS, AND INFORMATION CONTAINED WITHIN IS CONFIDENTIAL AND PROPRIETARY TO TELEFLEX MEDICAL BY RETENTION. THE RECIPIENT AGREES NOT TO REPRODUCE, DISCLOSE, OR MAKE USE OF ITS CONTENTS IN ANY WAY, WITHOUT PRIOR WRITTEN PERMISSION OF AN OFFICER OF TELEFLEX MEDICAL.

SR314000-__ (cc)	CUSTOMER REF	MATERIAL	UNSPECIFIED TOLERANCES INCHES		 <b>beere   KMedic</b> 5307 95th Avenue Kenosha, WI 53144, USA Phone: 262-657-2800 Fax: 262-657-2801 www.teleflexmedical.com	
	SOLIDMODEL SR314000-__ (cc)	HEAT TREAT	.X    +/- .020    ANGLE    +/- 1°	.XX    +/- .010    MACHINE		
	FORGING	FINISH	.XXX    +/- .005    FINISH    32	.XXXX    +/- .0005	CONCENTRICITY    .005 T.I.R.	TITLE
	OR DENOTES INSPECTION FEATURE	REMOVE ALL BURRS    BREAK SHARP CORNERS	DO NOT SCALE DRAWING	DRAWN    REK    DATE    01/16/08	DO NOT SCALE DRAWING	SIZE    B
 THIRD ANGLE VIEW	PART TO BE FREE OF DIRT, OIL AND CONTAMINANTS	APPROVED <i>Bm</i> DATE    1-17-2008	DATE    01/16/08	CONCENTRICITY    .005 T.I.R.	SUPERSEDED NO.	DRAWING NO.    SR314000-__ (cc)    REV    00
				SQUARENESS    .001 PER. IN.	SCALE    1:1    UNITS    INCHES	ILLUSTRATION    SHEET    1 OF 1