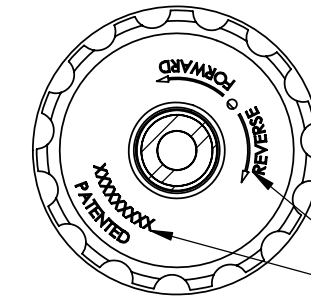
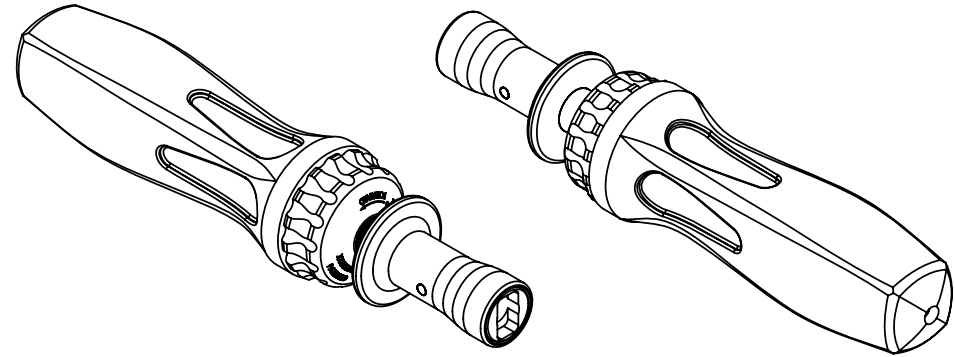


# FOR REFERENCE ONLY

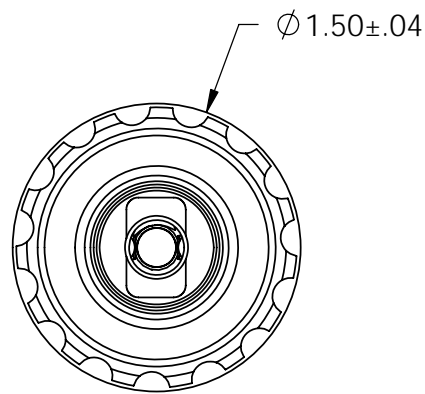
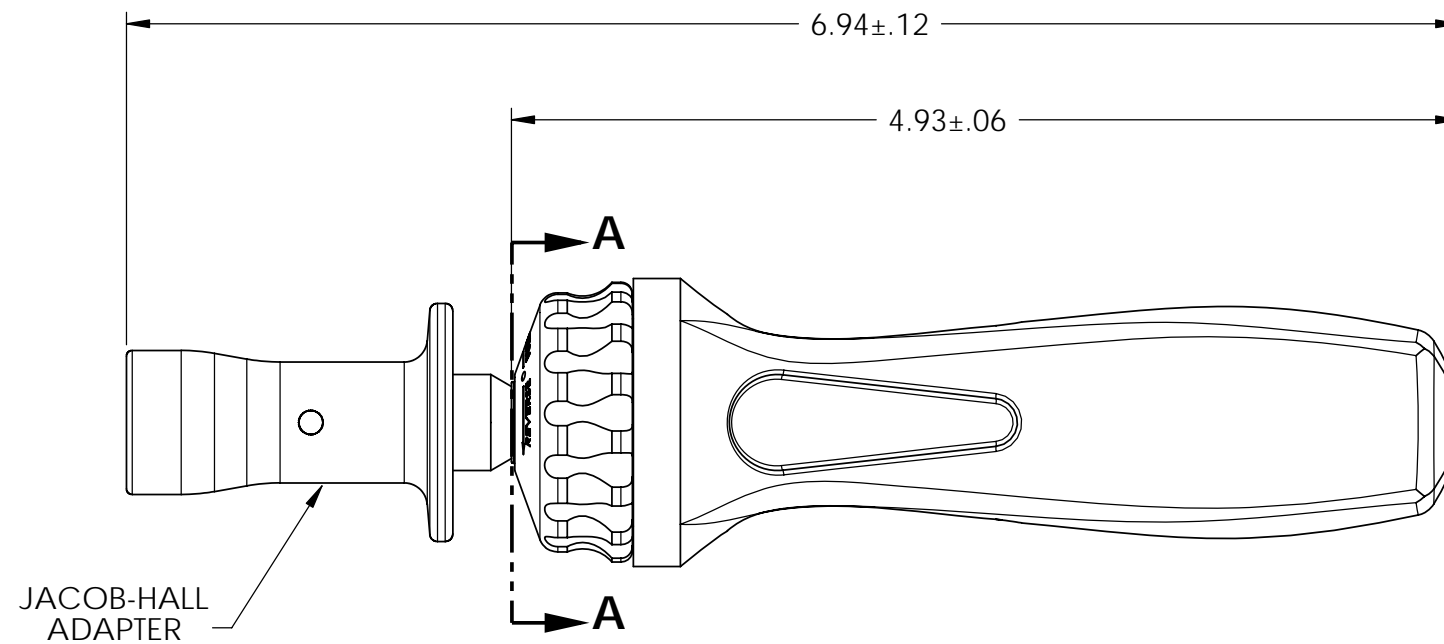
REVISIONS SR319002- \_\_\_\_ (CC)

REV.	DESCRIPTION	DATE	APPROVED
------	-------------	------	----------

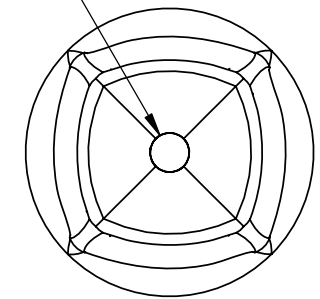


SECTION A-A  
LASER MARKING  
DETAIL

STANDARD CAP  
LASER MARKING



Ø .203  
CANNULATION



JACOB-HALL  
ADAPTER

SR319002- ____ (CC)	CUSTOMER REF	MATERIAL	UNSPECIFIED TOLERANCES INCHES		 <b>beere   KMedic</b> <small>5307 95th Avenue Kenosha, WI 53144, USA Phone: 262-657-2800 Fax: 262-657-2801 www.teleflexmedical.com</small>			
	SOLIDMODEL SR319002- ____ (CC)	HEAT TREAT	X +/- .020	ANGLE +/- 1°				
	FORGING	FINISH	XX +/- .010	MACHINE	CONCENTRICITY .005 T.I.R. SQUARENESS .001 PER. IN. DO NOT SCALE DRAWING			
	OR DENOTES INSPECTION FEATURE	REMOVE ALL BURRS	BREAK SHARP CORNERS	XXX +/- .005	FINISH	DRAWN CER DATE 03/10/08 APPROVED DATE		
 THIRD ANGLE VIEW	PART TO BE FREE OF DIRT, OIL AND CONTAMINANTS		SCALE 1:1 UNITS INCHES		TITLE RTCL, AXIAL LG CANN J-HALL ADPT		DRAWING NO. SR319002- ____ (CC) REV A	
					ILLUSTRATION		SHEET 1 OF 1	

THIS DOCUMENT INCLUDING ALL DATA, SPECIFICATIONS, AND INFORMATION CONTAINED WITHIN IS CONFIDENTIAL AND PROPRIETARY TO TELEFLEX MEDICAL BY RETENTION. THE RECIPIENT AGREES NOT TO REPRODUCE, DISCLOSE, OR MAKE USE OF ITS CONTENTS IN ANY WAY, WITHOUT PRIOR WRITTEN PERMISSION OF AN OFFICER OF TELEFLEX MEDICAL.