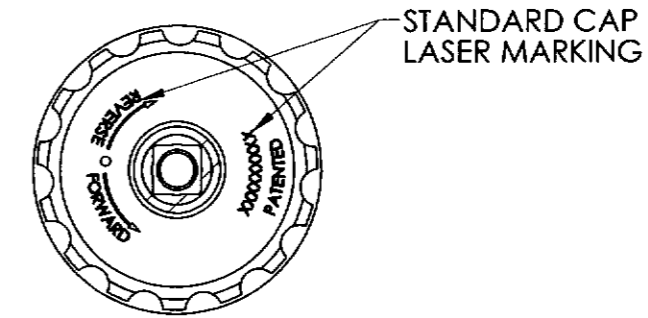
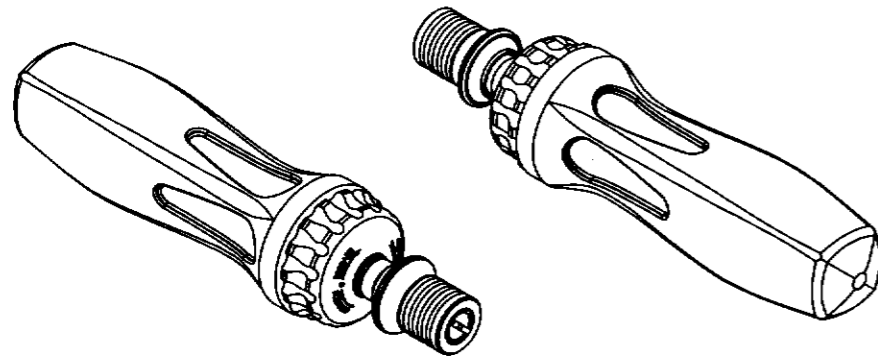


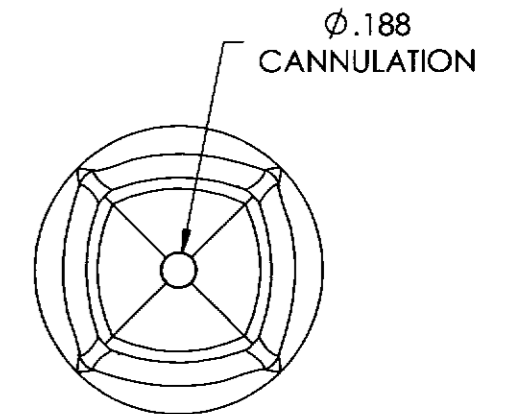
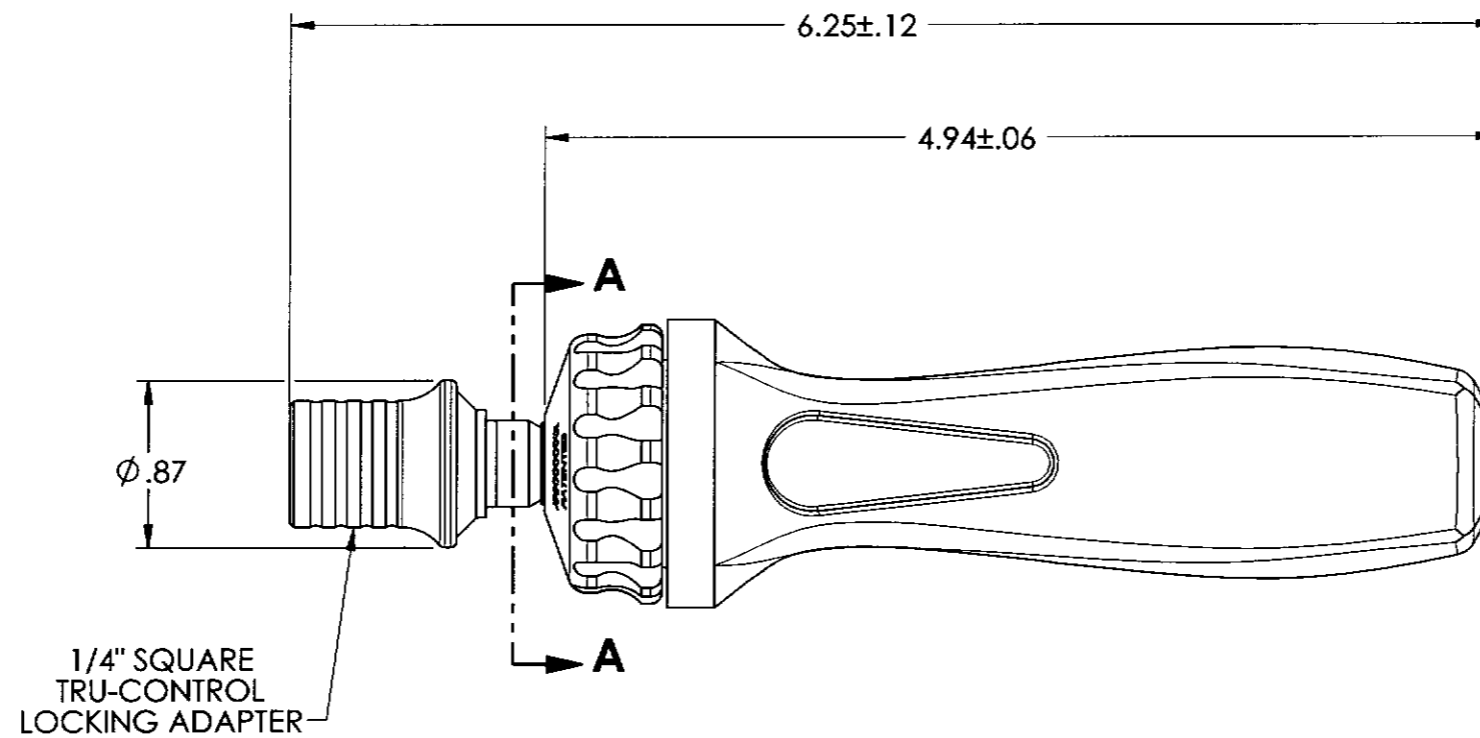
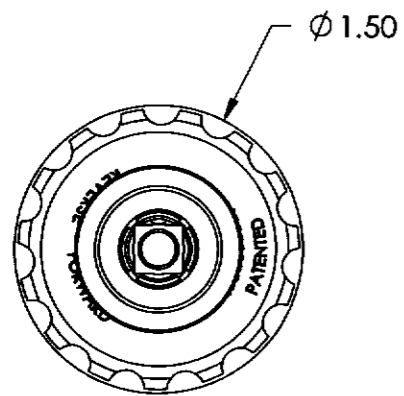
# FOR REFERENCE ONLY

REVISIONS - SR323000- \_\_\_\_ (cc)

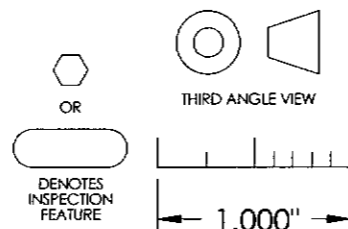
REV	DESCRIPTION	DATE/BY	ECN NO.



**SECTION A-A  
LASER MARKING  
DETAIL**



THIS DOCUMENT INCLUDING ALL DATA, SPECIFICATIONS, AND INFORMATION CONTAINED WITHIN IS CONFIDENTIAL AND PROPRIETARY TO BEERE PRECISION MEDICAL INSTRUMENTS BY RETENTION. THE RECIPIENT AGREES NOT TO REPRODUCE, DISCLOSE, OR MAKE USE OF ITS CONTENTS IN ANY WAY, WITHOUT PRIOR WRITTEN PERMISSION OF AN OFFICER OF BEERE PRECISION MEDICAL INSTRUMENTS.



SR323000- ____ (cc)	MATERIAL	UNSPECIFIED TOLERANCES		<b>beere</b> PRECISION medical INSTRUMENTS 5307 95TH AVE KENOSHA, WI 53144 (262) 657-2800		
	HEAT TREAT	.X ±.020 .XX ±.010 .XXX ±.005 .XXXX ±.0005	ANGLE ±1° MACHINE FINISH ✓			
	FINISH	CONCENTRICITY .005 T.I.R. SQUARENESS .005 T.I.R.		TITLE		
	REMOVE ALL BURRS	BREAK SHARP CORNERS	DO NOT SCALE DRAWING		RTCH SD. 1/4 SQ QIK LOK MIN PLAY	
PART TO BE FREE OF DIRT, OIL AND CONTAMINANTS	DRAWN HG	DATE 05/21/03	SIZE B	SUPERSEDED NO.	DRAWING NO. SR323000- ____ (cc)	REV 00
	APPROVED	DATE	SCALE 1:1	ILLUSTRATION	SHEET 1 OF 1	