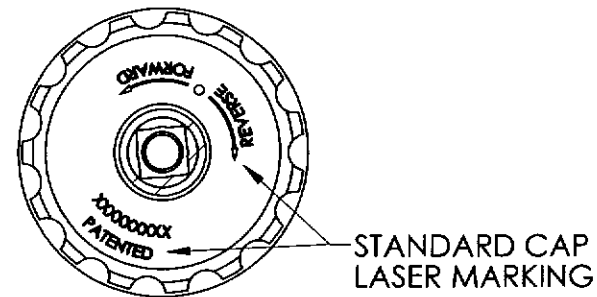
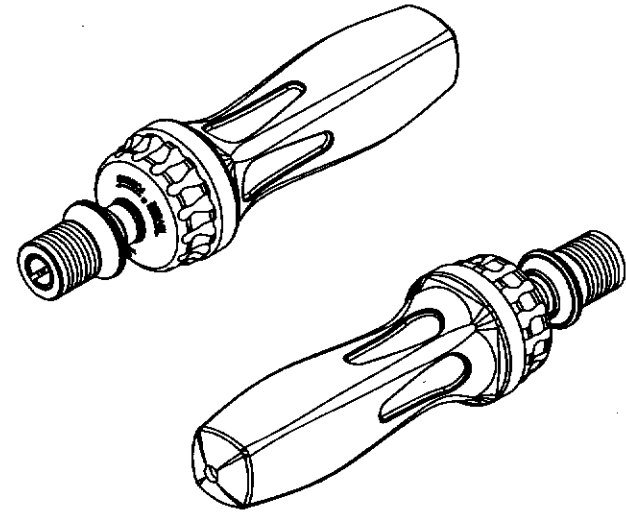
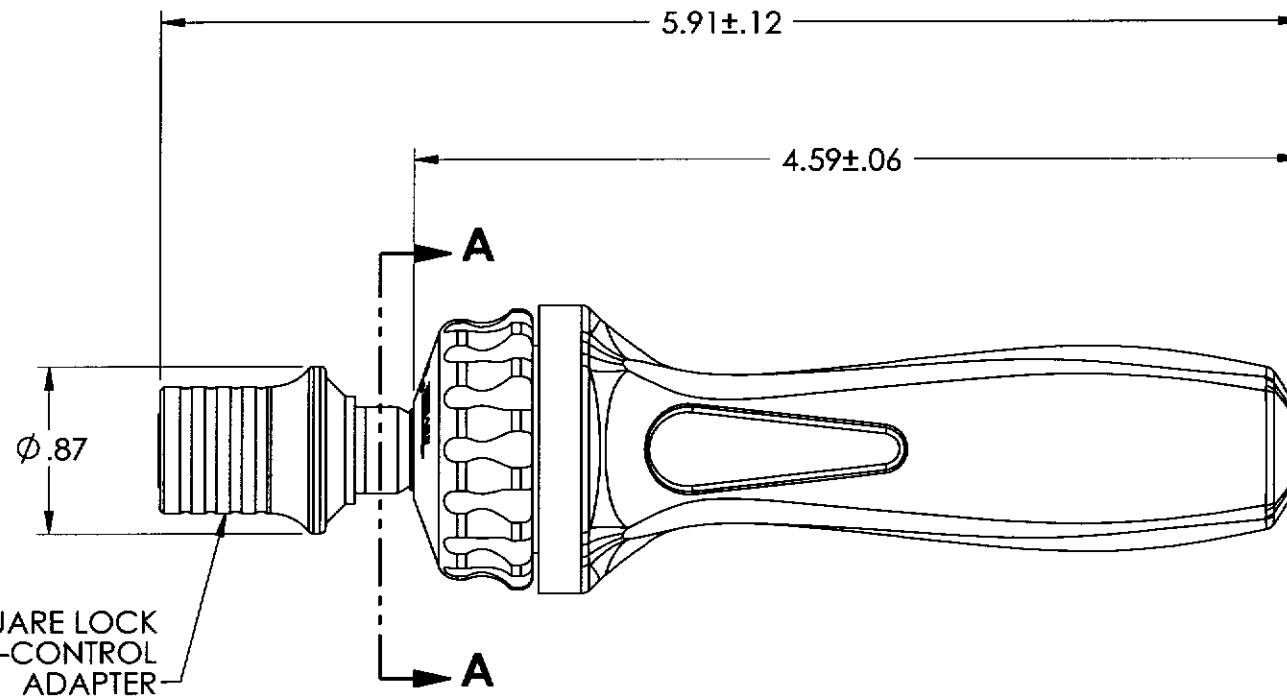
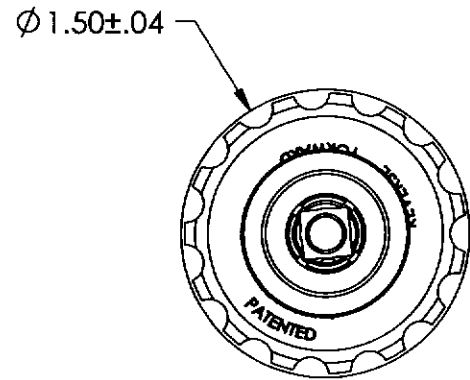


FOR REFERENCE ONLY

REVISIONS - SR328000- ____ (cc)			
REV	DESCRIPTION	DATE/BY	ECN NO.

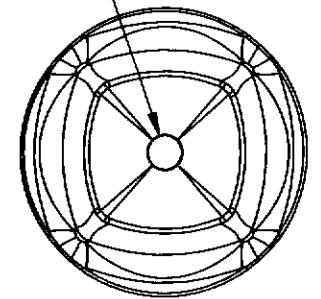


**SECTION A-A
LASER MARKING
DETAIL**

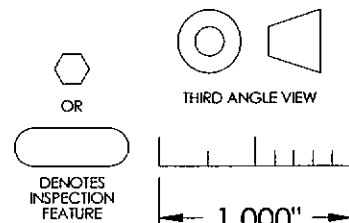



1/4" SQUARE LOCK
TRU-CONTROL
ADAPTER

$\phi .187$
CANNULATION



THIS DOCUMENT INCLUDING ALL DATA, SPECIFICATIONS, AND INFORMATION CONTAINED WITHIN IS CONFIDENTIAL AND PROPRIETARY TO BEERE PRECISION MEDICAL INSTRUMENTS BY RETENTION. THE RECIPIENT AGREES NOT TO REPRODUCE, DISCLOSE, OR MAKE USE OF ITS CONTENTS IN ANY WAY, WITHOUT PRIOR WRITTEN PERMISSION OF AN OFFICER OF BEERE PRECISION MEDICAL INSTRUMENTS.



SR328000- ____ (cc)	MATERIAL	UNSPECIFIED TOLERANCES		 beere PRECISION medical INSTRUMENTS 5307 95TH AVE KENOSHA, WI 53144 (262) 657-2800	
	HEAT TREAT	X ±.020 .XX ±.010 .XXX ±.005 .XXXX ±.0005	ANGLE ±1° MACHINE FINISH $\sqrt{32}$		
	FINISH	CONCENTRICITY .005 T.I.R. SQUARENESS .005 T.I.R. DO NOT SCALE DRAWING		TITLE RTCH SD, MIN PLAY 1/4 SQ QIK LOK ADPT	
	REMOVE ALL BURRS PART TO BE FREE OF DIRT, OIL AND CONTAMINANTS	BREAK SHARP CORNERS	DRAWN HG DATE 05/21/03	SIZE B SCALE 1:1	SUPERSEDED NO. DRAWING NO. SR328000- ____ (cc)