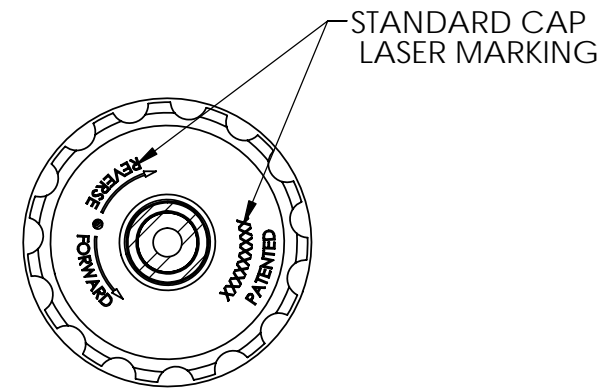
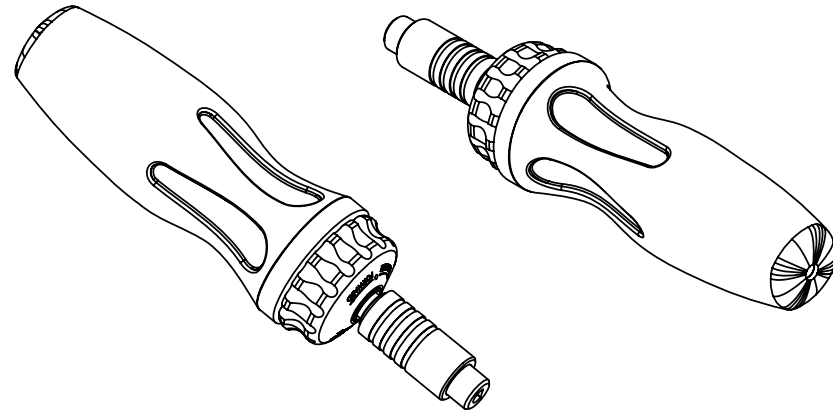


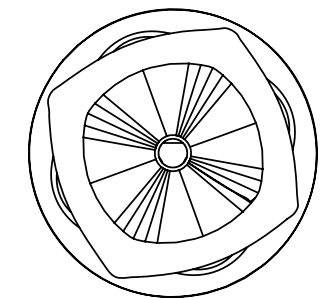
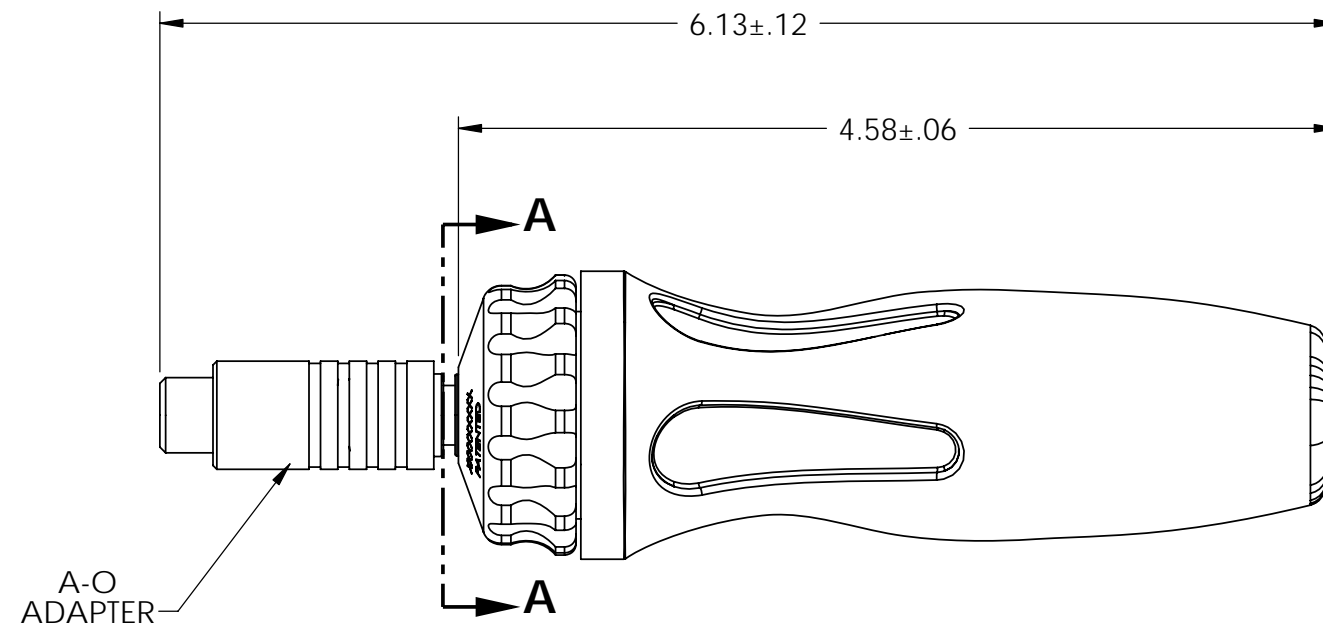
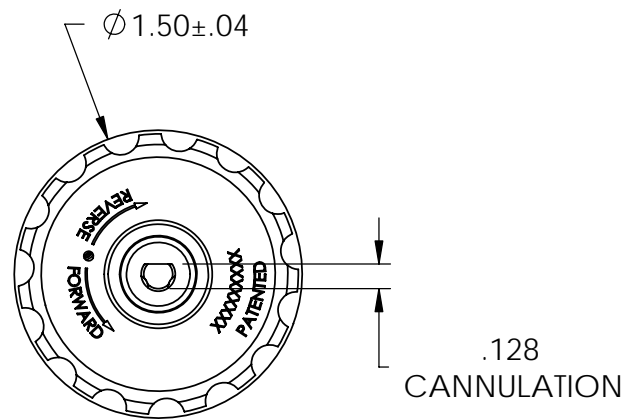
FOR REFERENCE ONLY

REVISIONS: SR330000-___(CC)

REV	DESCRIPTION	DATE/BY	DCN
-----	-------------	---------	-----



SECTION A-A
LASER MARKING
DETAIL



THIS DOCUMENT INCLUDING ALL DATA, SPECIFICATIONS, AND INFORMATION CONTAINED WITHIN IS CONFIDENTIAL AND PROPRIETARY TO TELEFLEX MEDICAL BY RETENTION. THE RECIPIENT AGREES NOT TO REPRODUCE, DISCLOSE, OR MAKE USE OF ITS CONTENTS IN ANY WAY, WITHOUT PRIOR WRITTEN PERMISSION OF AN OFFICER OF TELEFLEX MEDICAL.

SR330000-___(CC)	CUSTOMER REF	MATERIAL	UNSPECIFIED TOLERANCES INCHES		 beere KMedic <small>5307 95th Avenue Kenosha, WI 53144, USA Phone: 262-657-2800 Fax: 262-657-2801 www.teleflexmedical.com</small>			
	SOLIDMODEL SR330000-___(CC)	HEAT TREAT	X XX XXX XXXX	+/- .020 +/- .010 +/- .005 +/- .0005				
	FORGING	FINISH	CONCENTRICITY .005 T.I.R. SQUARENESS .001 PER. IN.		TITLE RTCL, AXL SM, CANN A-O ADPT			
	 DENOTES INSPECTION FEATURE	REMOVE ALL BURRS BREAK SHARP CORNERS PART TO BE FREE OF DIRT, OIL AND CONTAMINANTS	DO NOT SCALE DRAWING	DRAWN CER	DATE 03/10/08	SIZE B	SUPERSEDED NO.	DRAWING NO. SR330000-___(CC)
 THIRD ANGLE VIEW			APPROVED	DATE	SCALE 1:1	UNITS INCHES	ILLUSTRATION	SHEET 1 OF 1