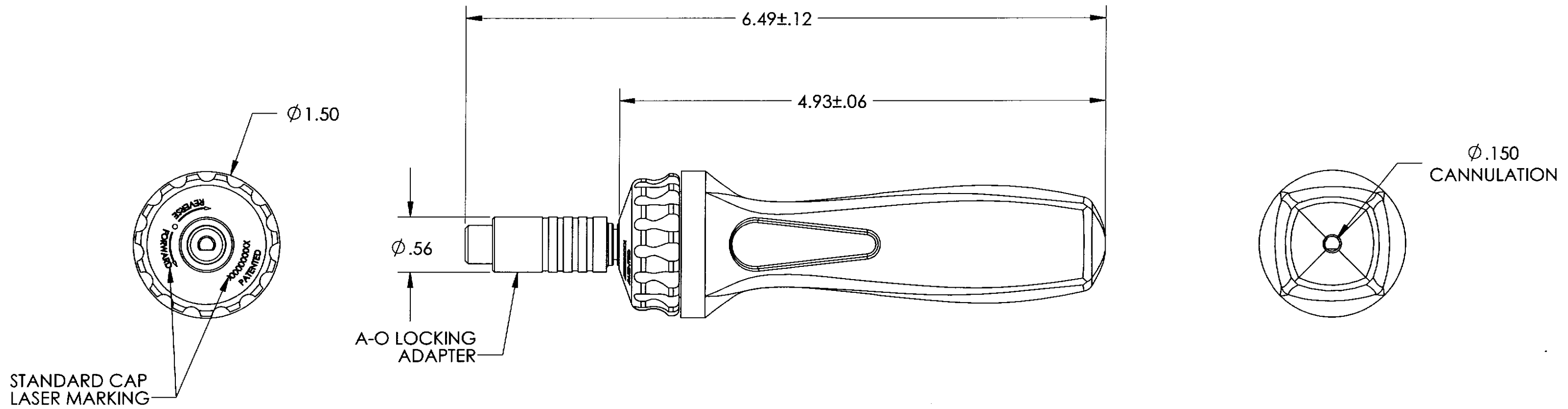
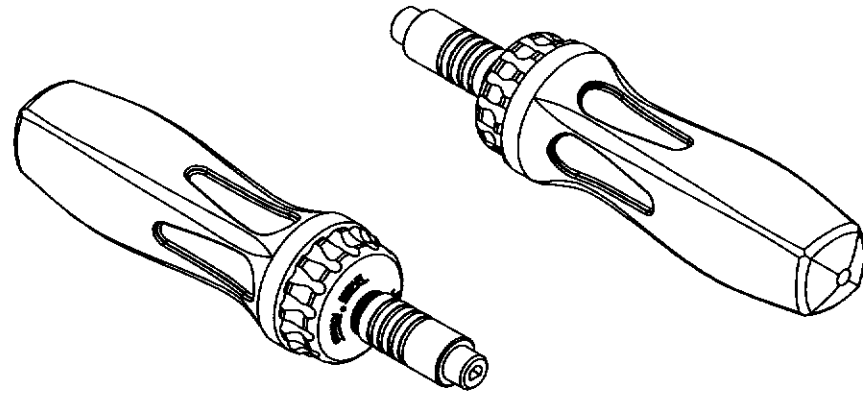


FOR REFERENCE ONLY

REVISIONS - SR334000

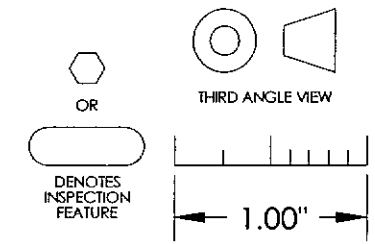
REV	DESCRIPTION	DATE/BY	DCN NO.



STANDARD CAP
LASER MARKING

A-O LOCKING
ADAPTER

Ø.150
CANNULATION



THIS DOCUMENT INCLUDING ALL DATA, SPECIFICATIONS, AND INFORMATION CONTAINED WITHIN IS CONFIDENTIAL AND PROPRIETARY TO BEERE PRECISION MEDICAL INSTRUMENTS BY RETENTION. THE RECIPIENT AGREES NOT TO REPRODUCE, DISCLOSE, OR MAKE USE OF ITS CONTENTS IN ANY WAY, WITHOUT PRIOR WRITTEN PERMISSION OF AN OFFICER OF BEERE PRECISION MEDICAL INSTRUMENTS.

SR334000	MATERIAL	UNSPECIFIED TOLERANCES		beere PRECISION medical INSTRUMENTS 5307 95TH AVE KENOSHA, WI 53144 (262) 657-2800	
	HEAT TREAT	.X ±.020 .XX ±.010 .XXX ±.005 .XXXX ±.0005	ANGLE ±1° MACHINE FINISH ✓		
	FINISH	CONCENTRICITY .005 T.I.R. SQUARENESS .005 T.I.R.		TITLE RTCH SD, A-O QIK LOK ADPT MIN PLAY	
	REMOVE ALL BURRS BREAK SHARP CORNERS		DO NOT SCALE DRAWING		SIZE B
PART TO BE FREE OF DIRT, OIL AND CONTAMINANTS		DRAWN HG	DATE 04/13/04	SCALE 1:1	ILLUSTRATION
		APPROVED	DATE	SHEET 1 OF 1	REV 00