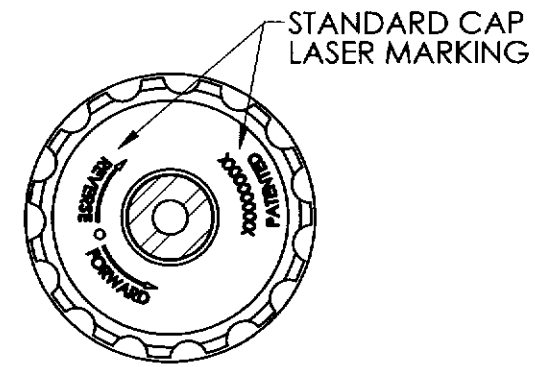
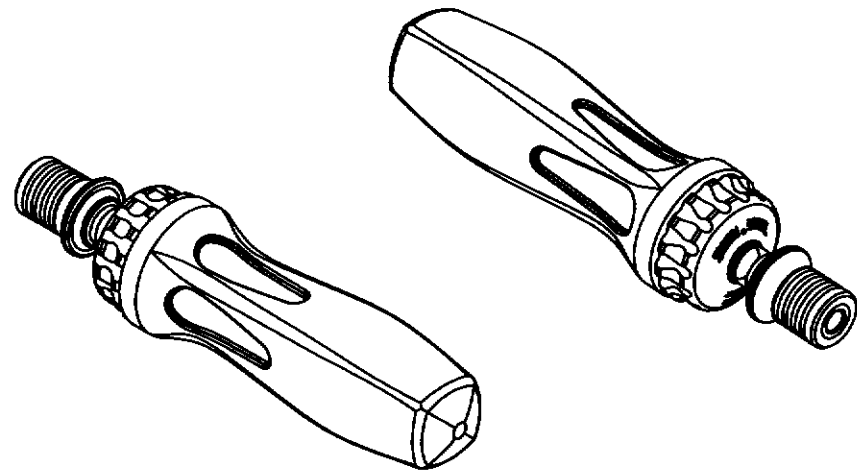
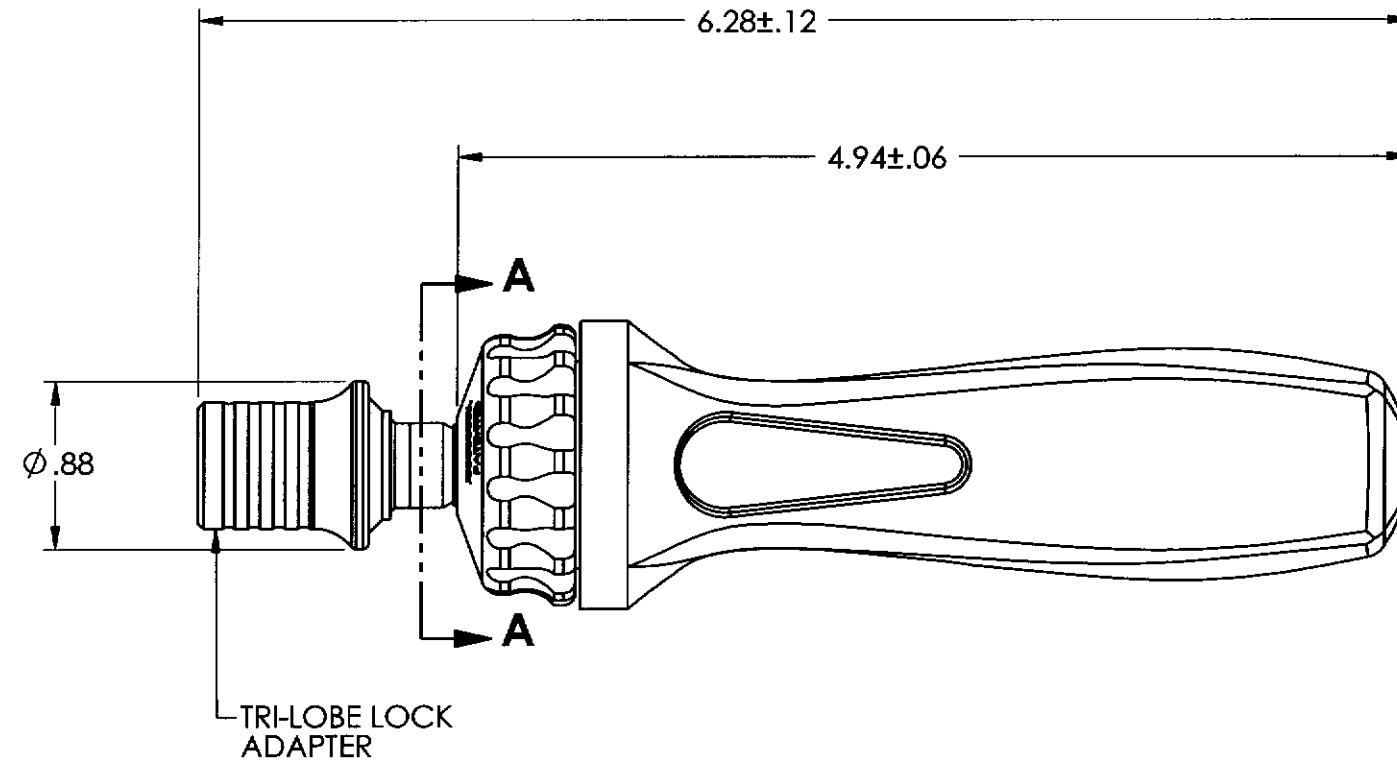
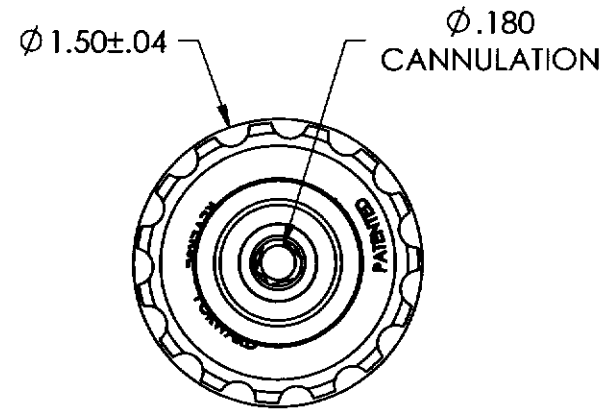


FOR REFERENCE ONLY

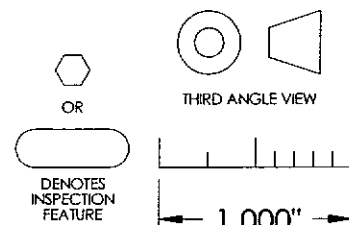


SECTION A-A
LASER MARKING
DETAIL



REVISIONS - SR348000-___(cc)			
REV	DESCRIPTION	DATE/BY	DCN NO.

THIS DOCUMENT INCLUDING ALL DATA, SPECIFICATIONS, AND INFORMATION CONTAINED WITHIN IS CONFIDENTIAL AND PROPRIETARY TO BEERE PRECISION MEDICAL INSTRUMENTS BY RETENTION. THE RECIPIENT AGREES NOT TO REPRODUCE, DISCLOSE, OR MAKE USE OF ITS CONTENTS IN ANY WAY, WITHOUT PRIOR WRITTEN PERMISSION OF AN OFFICER OF BEERE PRECISION MEDICAL INSTRUMENTS.



SR348000-___(cc)	MATERIAL	UNSPECIFIED TOLERANCES			5307 95TH AVE KENOSHA, WI 53144 (262) 657-2800	
	HEAT TREAT	X ±.020 XX ±.010 XXX ±.005 XXXX ±.0005	ANGLE ±1° MACHINE FINISH $\sqrt{32}$		RTCH, SD TRU-CTRL TRI-LB ADPT	
	FINISH	CONCENTRICITY .005 T.I.R. SQUARENESS .005 T.I.R. DO NOT SCALE DRAWING		DRAWING NO. SR348000-___(cc) REV A		
	REMOVE ALL BURRS PART TO BE FREE OF DIRT, OIL AND CONTAMINANTS	BREAK SHARP CORNERS	DRAWN KMW DATE 08/05/04 APPROVED DATE	SIZE B SCALE 1:1	SUPERSEDED NO.	ILLUSTRATION SHEET 1 OF 1