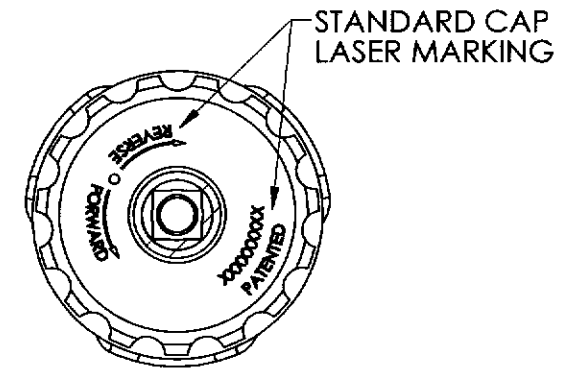
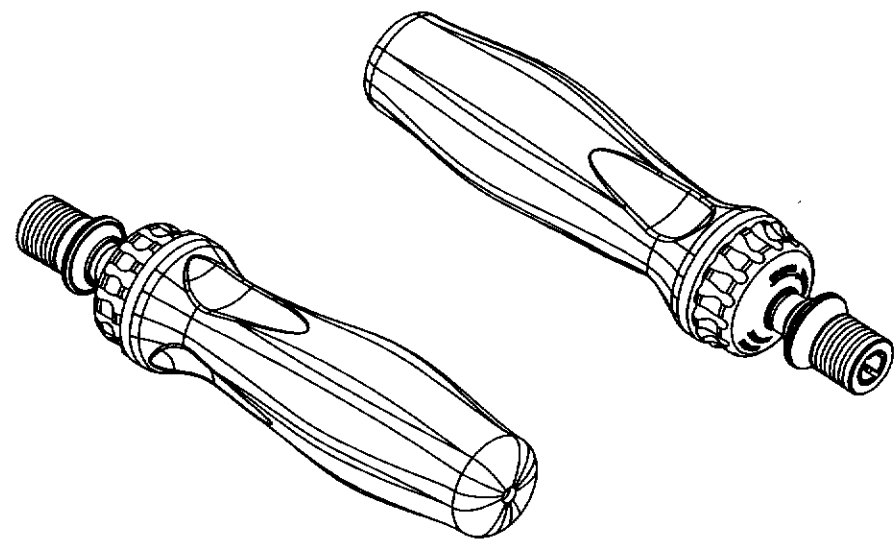
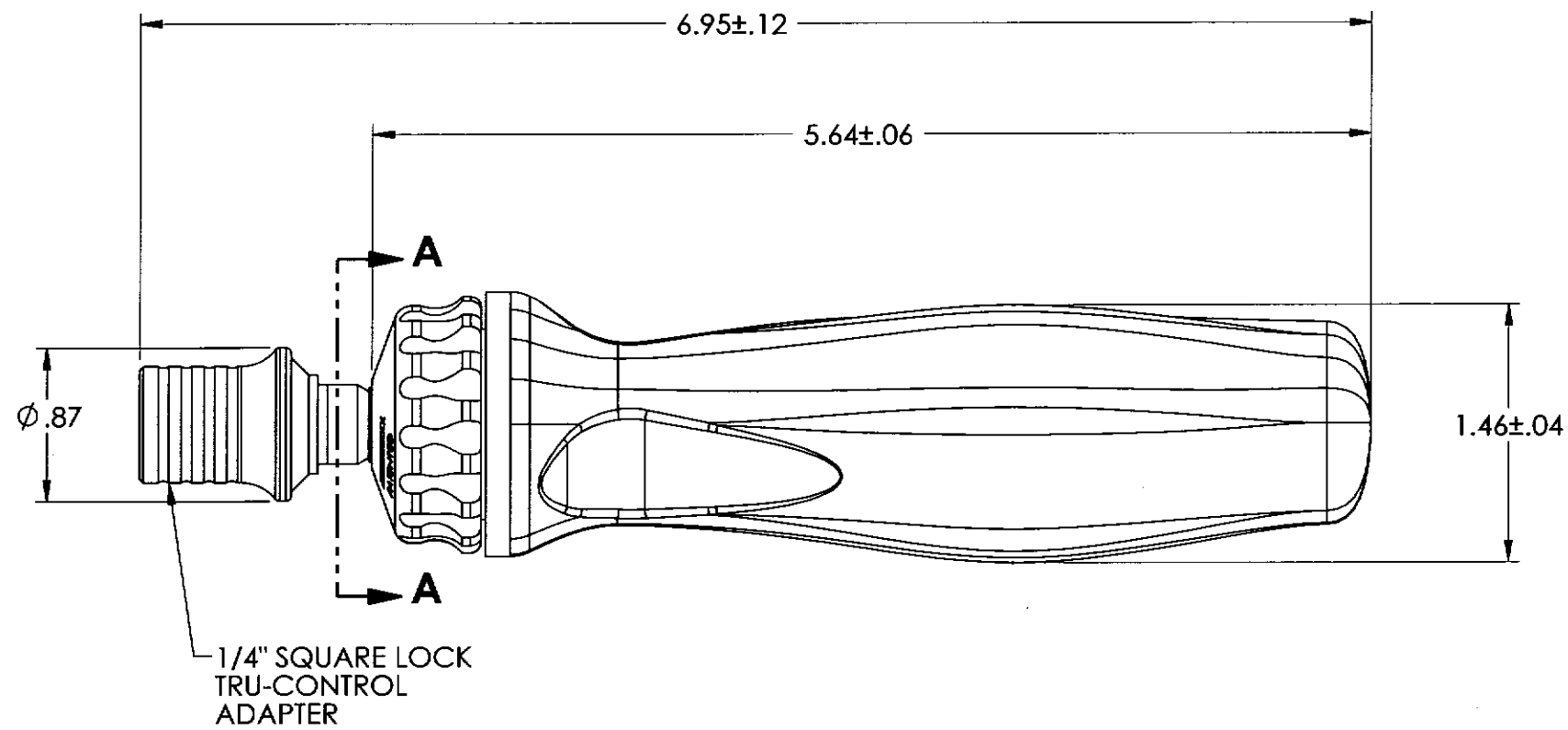


FOR REFERENCE ONLY

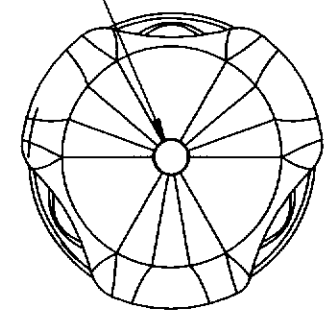
REVISIONS - SR349000-___(cc)			
REV	DESCRIPTION	DATE/BY	ECN NO.



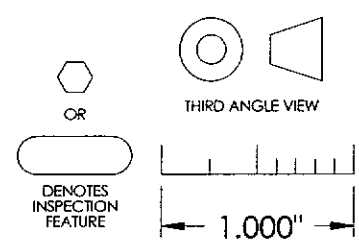
**SECTION A-A
LASER MARKING
DETAIL**



∅.180
CANNULATION



THIS DOCUMENT INCLUDING ALL DATA, SPECIFICATIONS, AND INFORMATION CONTAINED WITHIN IS CONFIDENTIAL AND PROPRIETARY TO BEERE PRECISION MEDICAL INSTRUMENTS BY RETENTION. THE RECIPIENT AGREES NOT TO REPRODUCE, DISCLOSE, OR MAKE USE OF ITS CONTENTS IN ANY WAY, WITHOUT PRIOR WRITTEN PERMISSION OF AN OFFICER OF BEERE PRECISION MEDICAL INSTRUMENTS.



SR349000-___(cc)	MATERIAL	UNSPECIFIED TOLERANCES			5307 95TH AVE KENOSHA, WI 53144 (262) 657-2800	
	HEAT TREAT	X ±.020 XX ±.010 XXX ±.005 XXXX ±.0005	ANGLE ±1° MACHINE FINISH $\sqrt{32}$		TITLE	
	FINISH	CONCENTRICITY .005 T.I.R. SQUARENESS .005 T.I.R.		RTCH SD, MIN PLAY, TRI-LB HDL, 1/4 SQ QIKLOK ADPT		
	REMOVE ALL BURRS BREAK SHARP CORNERS		DO NOT SCALE DRAWING		DRAWN	DATE
PART TO BE FREE OF DIRT, OIL AND CONTAMINANTS		APPROVED	DATE	HG	08/17/04	B
				DATE		SUPERSEDED NO.
						DRAWING NO.
						SR349000-___(cc)
						REV
						A
						SCALE
						1:1
						ILLUSTRATION
						SHEET
						1 OF 1