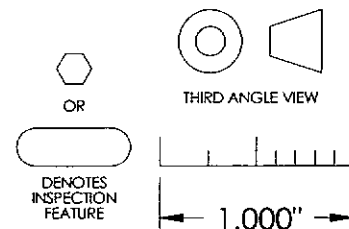
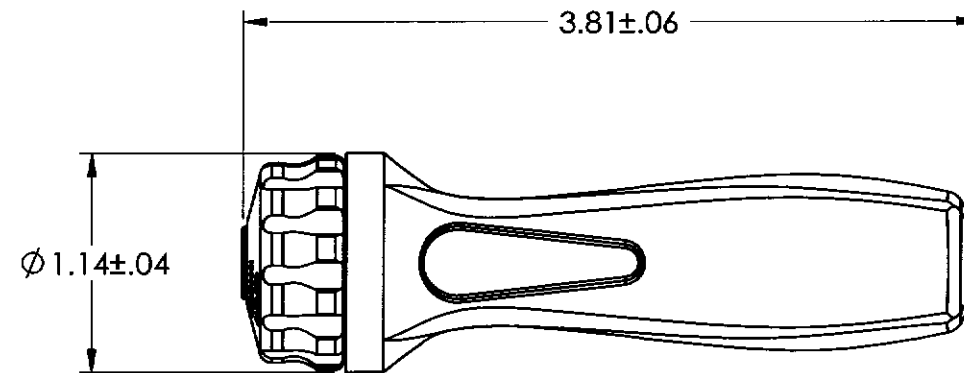
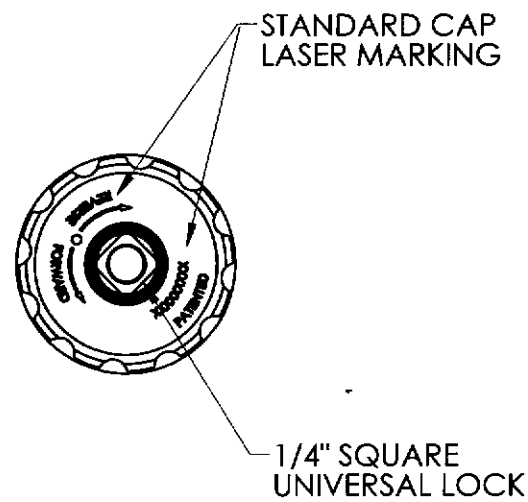
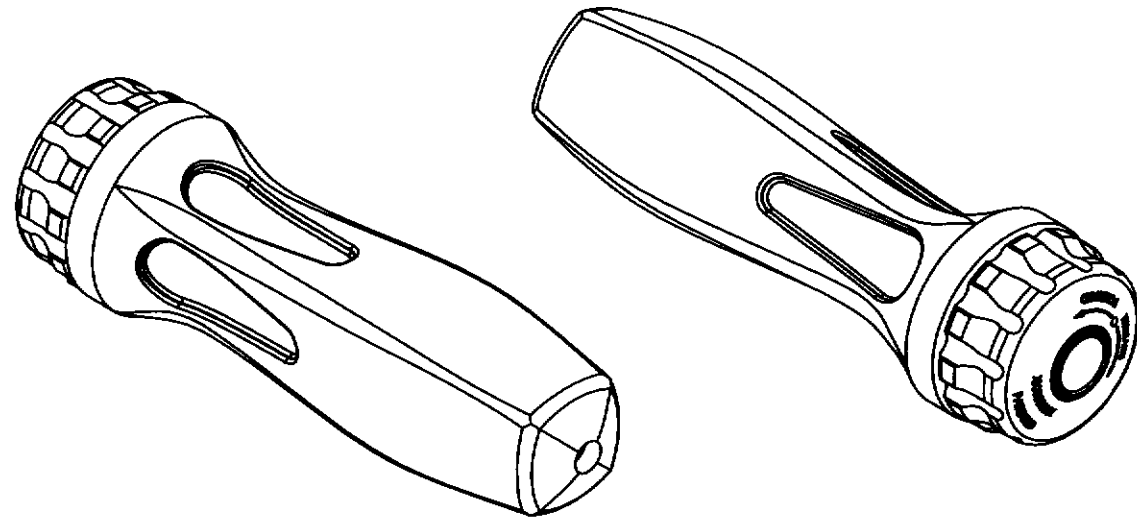



# FOR REFERENCE ONLY

REVISIONS - SR611000-\_\_\_(cc)

REV	DESCRIPTION	DATE/BY	ECN NO.
01	209-0049 WAS 209-0047	11/15/04 KMW	3205



THIS DOCUMENT INCLUDING ALL DATA, SPECIFICATIONS, AND INFORMATION CONTAINED WITHIN IS CONFIDENTIAL AND PROPRIETARY TO BEERE PRECISION MEDICAL INSTRUMENTS BY RETENTION. THE RECIPIENT AGREES NOT TO REPRODUCE, DISCLOSE, OR MAKE USE OF ITS CONTENTS IN ANY WAY, WITHOUT PRIOR WRITTEN PERMISSION OF AN OFFICER OF BEERE PRECISION MEDICAL INSTRUMENTS.

SR611000-___(cc)	MATERIAL	UNSPECIFIED TOLERANCES		 <b>beere</b> PRECISION <b>medical</b> INSTRUMENTS	5307 95TH AVE KENOSHA, WI 53144 (262) 657-2800		
	HEAT TREAT	X ±.020 .XX ±.010 .XXX ±.005 .XXXX ±.0005	ANGLE ±1° MACHINE FINISH 32/		TITLE MIN RTCH SD MIN PLAY		
	FINISH	CONCENTRICITY .005 T.I.R. SQUARENESS .005 T.I.R. DO NOT SCALE DRAWING		DRAWN HG DATE 03/04/04	SIZE B SCALE 1:1	SUPPERSEDED NO. DRAWING NO. SR611000-___(cc)	REV 01
	REMOVE ALL BURRS BREAK SHARP CORNERS PART TO BE FREE OF DIRT, OIL AND CONTAMINANTS			APPROVED DATE	SHEET 1 OF 1 ILLUSTRATION		