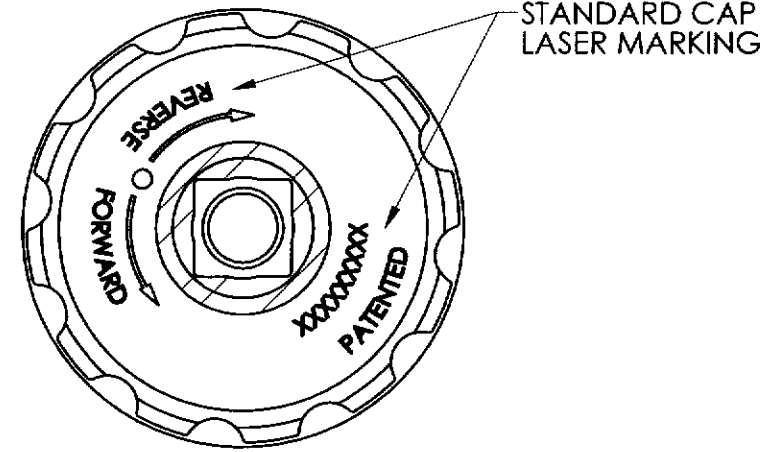
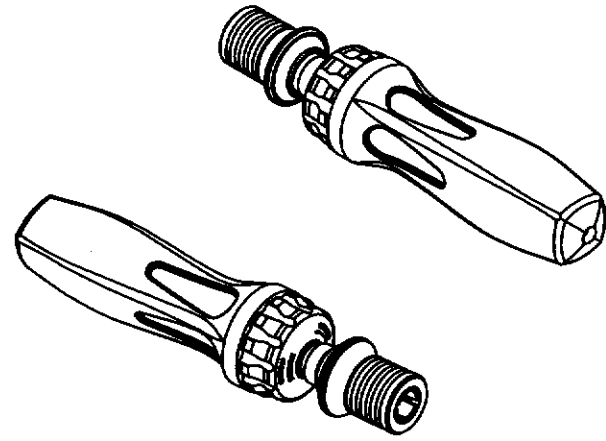
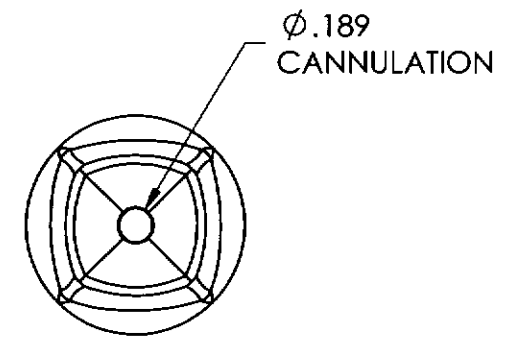
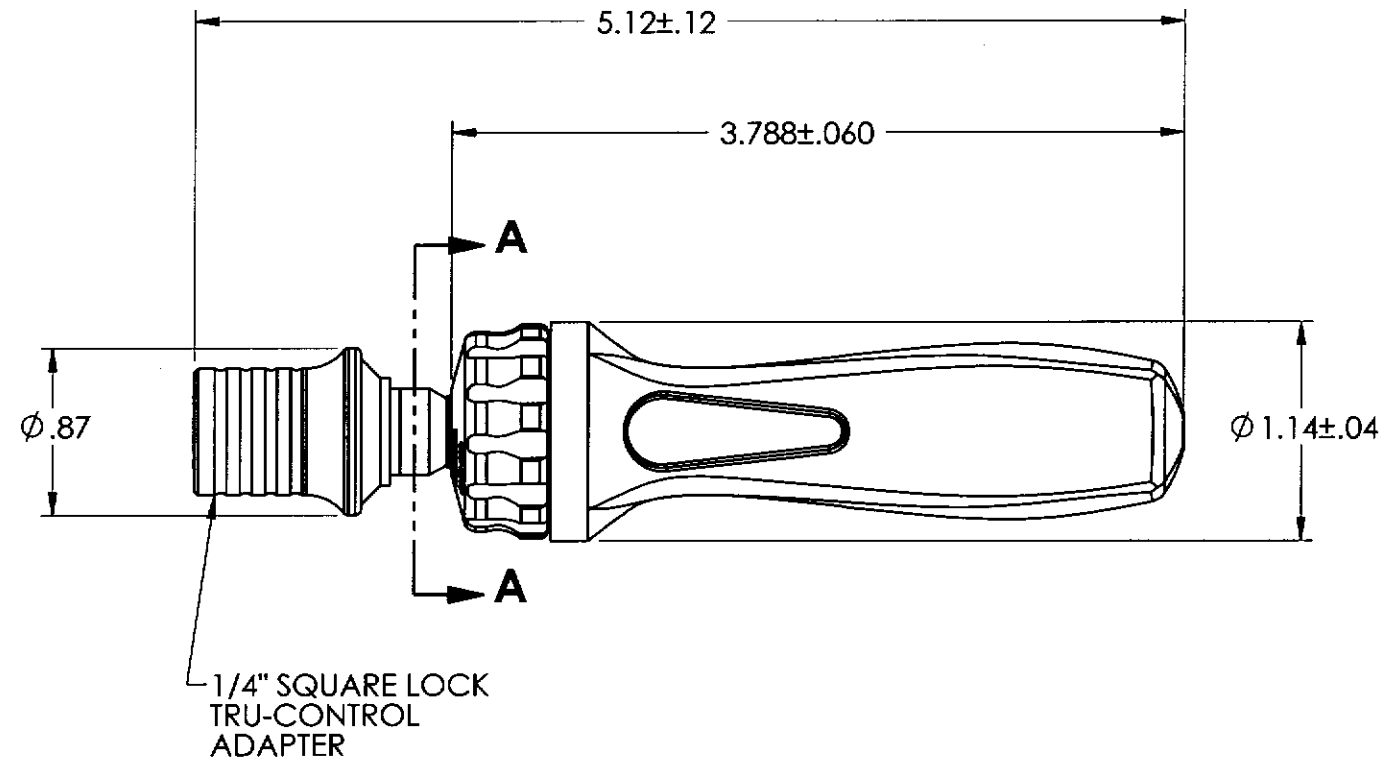
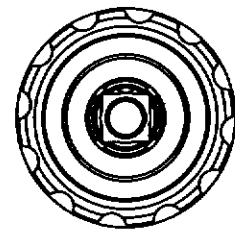


FOR REFERENCE ONLY

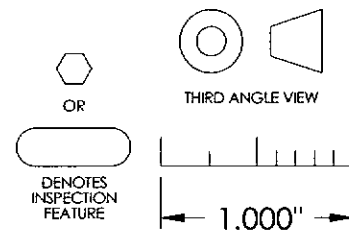
REVISIONS - SR623000			
REV	DESCRIPTION	DATE/BY	DCN NO.




SECTION A-A
LASER MARKING
DETAIL



THIS DOCUMENT INCLUDING ALL DATA, SPECIFICATIONS, AND INFORMATION CONTAINED WITHIN IS CONFIDENTIAL AND PROPRIETARY TO BEERE PRECISION MEDICAL INSTRUMENTS BY RETENTION. THE RECIPIENT AGREES NOT TO REPRODUCE, DISCLOSE, OR MAKE USE OF ITS CONTENTS IN ANY WAY, WITHOUT PRIOR WRITTEN PERMISSION OF AN OFFICER OF BEERE PRECISION MEDICAL INSTRUMENTS.



SR623000	MATERIAL	UNSPECIFIED TOLERANCES		 beere PRECISION medical INSTRUMENTS		5307 95TH AVE KENOSHA, WI 53144 (262) 657-2800	
	HEAT TREAT	X ±.020 .XX ±.010 .XXX ±.005 .XXXX ±.0005	ANGLE ±1° MACHINE FINISH 32/			TITLE RTCH SD, M-PLAY AXL MINI SLF-SQZG CLT ADPT	
	FINISH	CONCENTRICITY .005 T.I.R. SQUARENESS .005 T.I.R. DO NOT SCALE DRAWING		SIZE	SUPERSEDED NO.		
	REMOVE ALL BURRS	BREAK SHARP CORNERS	DRAWN HG DATE 03/04/04	SCALE B 1:2	PART TO BE FREE OF DIRT, OIL AND CONTAMINANTS	APPROVED DATE	SR623000 ILLUSTRATION