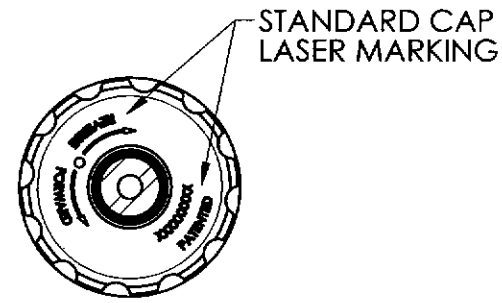
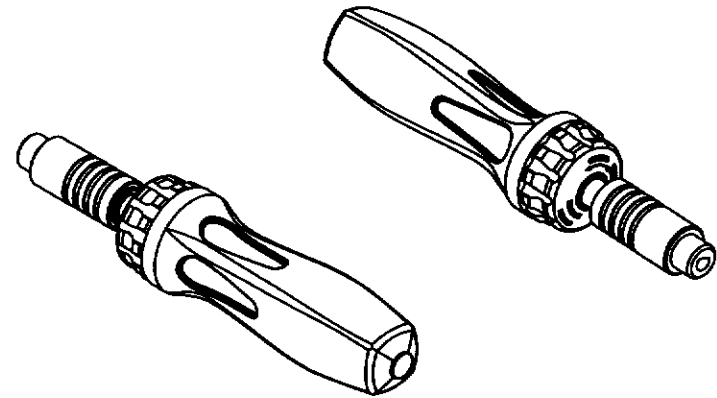
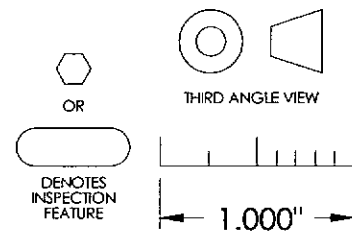
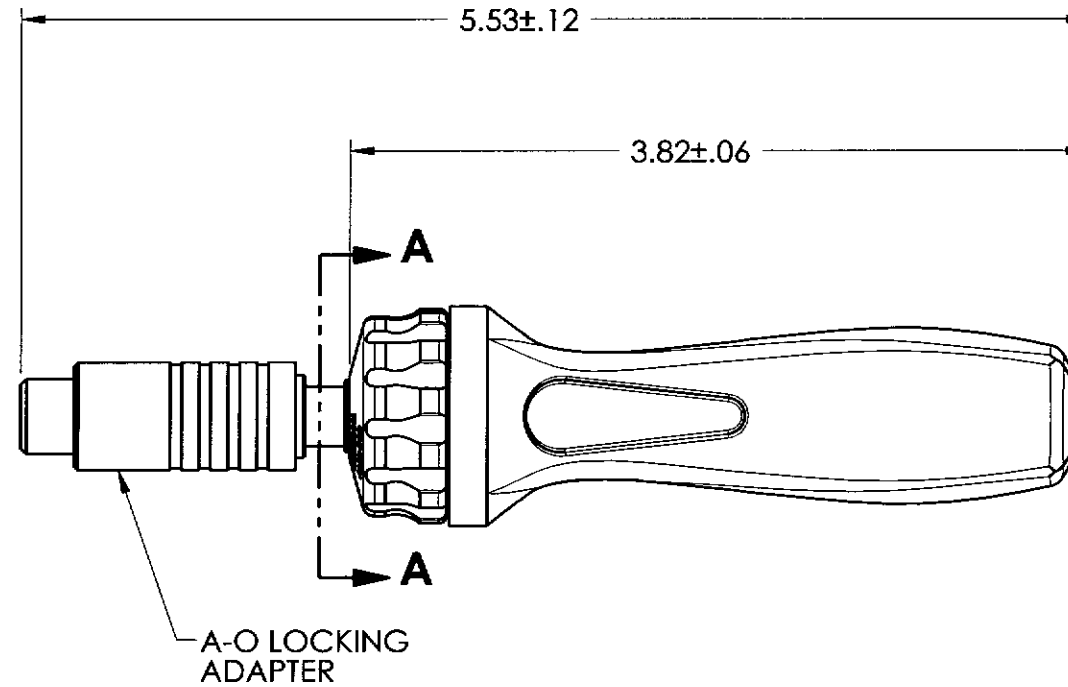
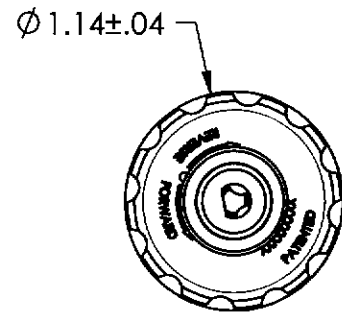


# FOR REFERENCE ONLY

REVISIONS - SR631003-___(cc)			
REV	DESCRIPTION	DATE/BY	DCN NO.



## SECTION A-A LASER MARKING DETAIL



THIS DOCUMENT INCLUDING ALL DATA, SPECIFICATIONS, AND INFORMATION CONTAINED WITHIN IS CONFIDENTIAL AND PROPRIETARY TO BEERE PRECISION MEDICAL INSTRUMENTS BY RETENTION. THE RECIPIENT AGREES NOT TO REPRODUCE, DISCLOSE, OR MAKE USE OF ITS CONTENTS IN ANY WAY, WITHOUT PRIOR WRITTEN PERMISSION OF AN OFFICER OF BEERE PRECISION MEDICAL INSTRUMENTS.

SR631003-___(cc)	MATERIAL	UNSPECIFIED TOLERANCES		<b>beere</b> PRECISION medical INSTRUMENTS	5307 95TH AVE KENOSHA, WI 53144 (262) 657-2800	
	HEAT TREAT	X ±.020 .XX ±.010 .XXX ±.005 .XXXX ±.0005	ANGLE ±1° MACHINE FINISH $\sqrt{32}$		TITLE RTCL, AXL MINI, A-O ADPT	
	FINISH	CONCENTRICITY .005 T.I.R. SQUARENESS .005 T.I.R. DO NOT SCALE DRAWING		SIZE <b>B</b>	SUPERSEDED NO.	DRAWING NO. SR631003-___(cc)
	REMOVE ALL BURRS	BREAK SHARP CORNERS	DRAWN <b>KMW</b>	DATE 11/03/04	SCALE 1:1	REV 00
PART TO BE FREE OF DIRT, OIL AND CONTAMINANTS		APPROVED	DATE	ILLUSTRATION		