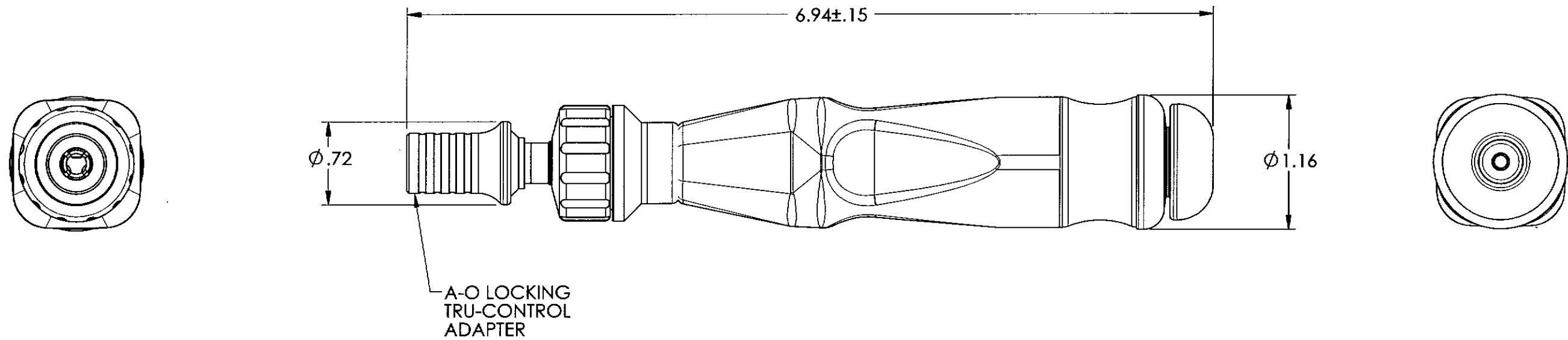
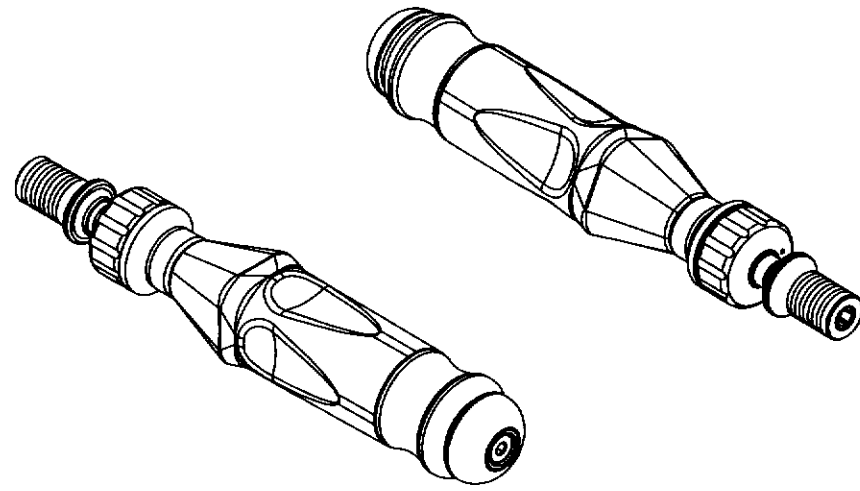
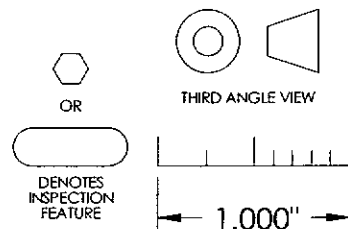



FOR REFERENCE ONLY

REVISIONS - SR632000-___(cc)			
REV	DESCRIPTION	DATE/BY	DCN NO.



THIS DOCUMENT INCLUDING ALL DATA, SPECIFICATIONS, AND INFORMATION CONTAINED WITHIN IS CONFIDENTIAL AND PROPRIETARY TO BEERE PRECISION MEDICAL INSTRUMENTS BY RETENTION. THE RECIPIENT AGREES NOT TO REPRODUCE, DISCLOSE, OR MAKE USE OF ITS CONTENTS IN ANY WAY, WITHOUT PRIOR WRITTEN PERMISSION OF AN OFFICER OF BEERE PRECISION MEDICAL INSTRUMENTS.



SR632000-___(cc)	MATERIAL	UNSPECIFIED TOLERANCES		 beere PRECISION medical INSTRUMENTS	5307 95TH AVE KENOSHA, WI 53144 (262) 657-2800		
	HEAT TREAT	X ±.020 .XX ±.010 .XXX ±.005 .XXXX ±.0005	ANGLE ±1° MACHINE FINISH $\sqrt{32}$		TITLE SCR, M-PLAY RTCH CNTR HDL M-PLAY A-O		
	FINISH	CONCENTRICITY .005 T.I.R. SQUARENESS .005 T.I.R. DO NOT SCALE DRAWING		SIZE B			
	REMOVE ALL BURRS PART TO BE FREE OF DIRT, OIL AND CONTAMINANTS	BREAK SHARP CORNERS	DRAWN CER	DATE 01/13/05	SCALE 1:1	ILLUSTRATION	SHEET 1 OF 1