

FOR REFERENCE ONLY

REVISIONS - TL101XXX

REV	DESCRIPTION	DATE/BY	ECN NO.

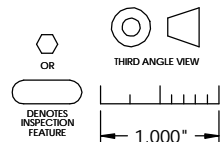
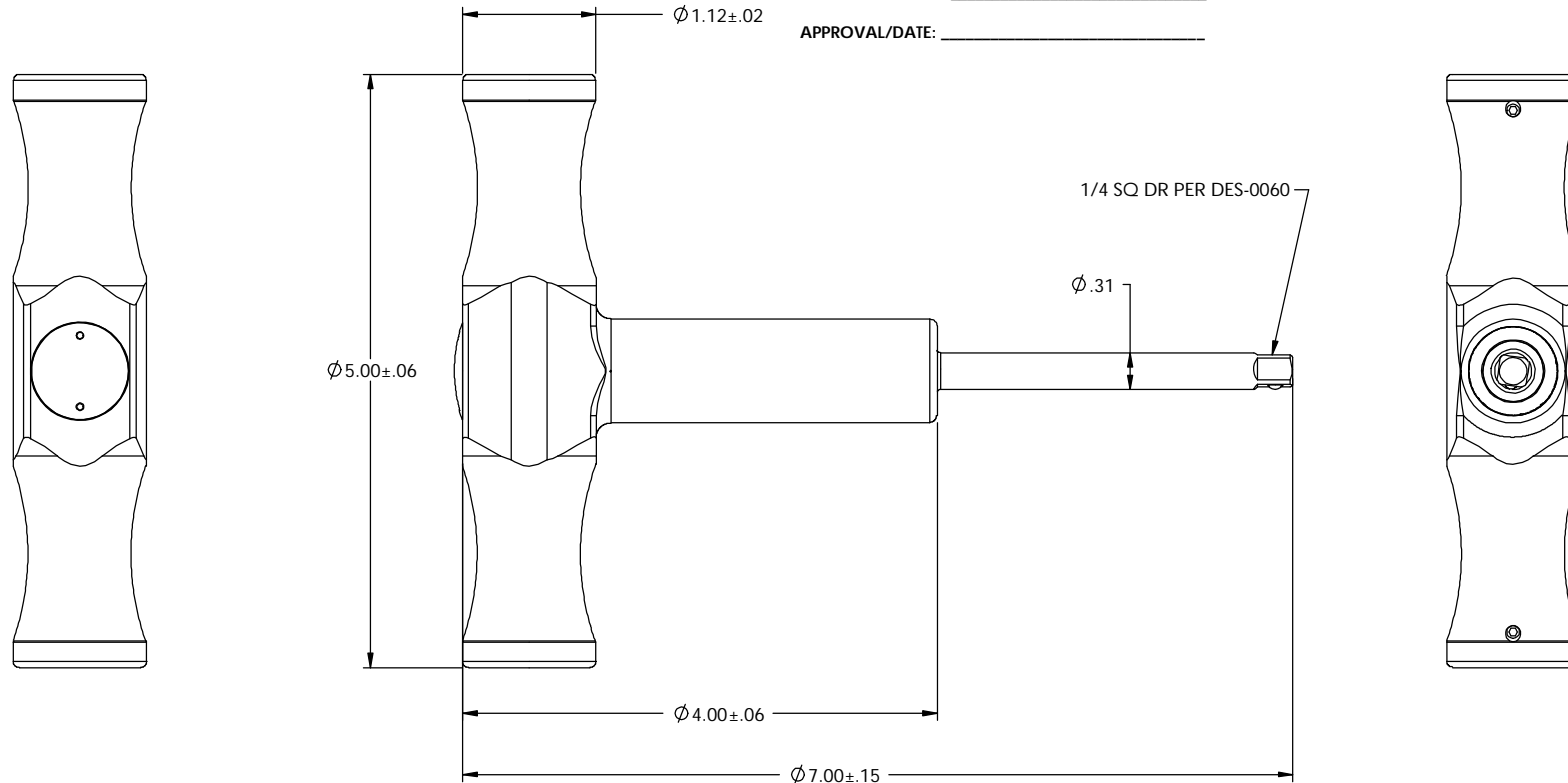
PRODUCT SPECIFICATIONS TO BE FILLED IN AT TIME OF ORDER:

COMPLETE PART NO. _____

TORQUE SETTINGS: _____ ±10% (120 LB-IN MAX)

COLOR OF HANDLE: _____

APPROVAL/DATE: _____



TL101XXX	MATERIAL	UNSPECIFIED TOLERANCES			5307 95TH AVE KENOSHA, WI 53144 (262) 657-2800	
	HEAT TREAT	X ±.020 XX ±.010 XXX ±.005 XXXX ±.0005	ANGLE ±1° MACHINE FINISH 32 ✓		TITLE	
	FINISH	CONCENTRICITY .005 T.I.R. SQUARENESS .005 T.I.R.		T-LMT-T, LG 1/4 SQ DR BLA ANDZ		
	REMOVE ALL BURRS	BREAK SHARP CORNERS	DO NOT SCALE DRAWING	DRAWN SSL DATE 03/14/01	SIZE B SCALE 1:1	SUPERSEDED NO. SHEET 1 OF 1
PART TO BE FREE OF DIRT, OIL AND CONTAMINANTS		APPROVED	DATE	ILLUSTRATION		

THIS DOCUMENT INCLUDING ALL DATA, SPECIFICATIONS, AND INFORMATION CONTAINED WITHIN IS CONFIDENTIAL AND PROPRIETARY TO BEERE PRECISION MEDICAL INSTRUMENTS, INC. ANY REPRODUCTION OR USE OF THIS DOCUMENT WITHOUT THE WRITTEN PERMISSION OF AN OFFICER OF BEERE PRECISION MEDICAL INSTRUMENTS, INC. IS STRICTLY PROHIBITED. ANY UNAUTHORIZED USE OF THIS DOCUMENT WITHOUT THE WRITTEN PERMISSION OF AN OFFICER OF BEERE PRECISION MEDICAL INSTRUMENTS, INC. IS STRICTLY PROHIBITED.