

# FOR REFERENCE ONLY

REVISIONS - TM101\_\_\_\_-\_\_\_\_(cc)

REV	DESCRIPTION	DATE/BY	ECN NO.
C			

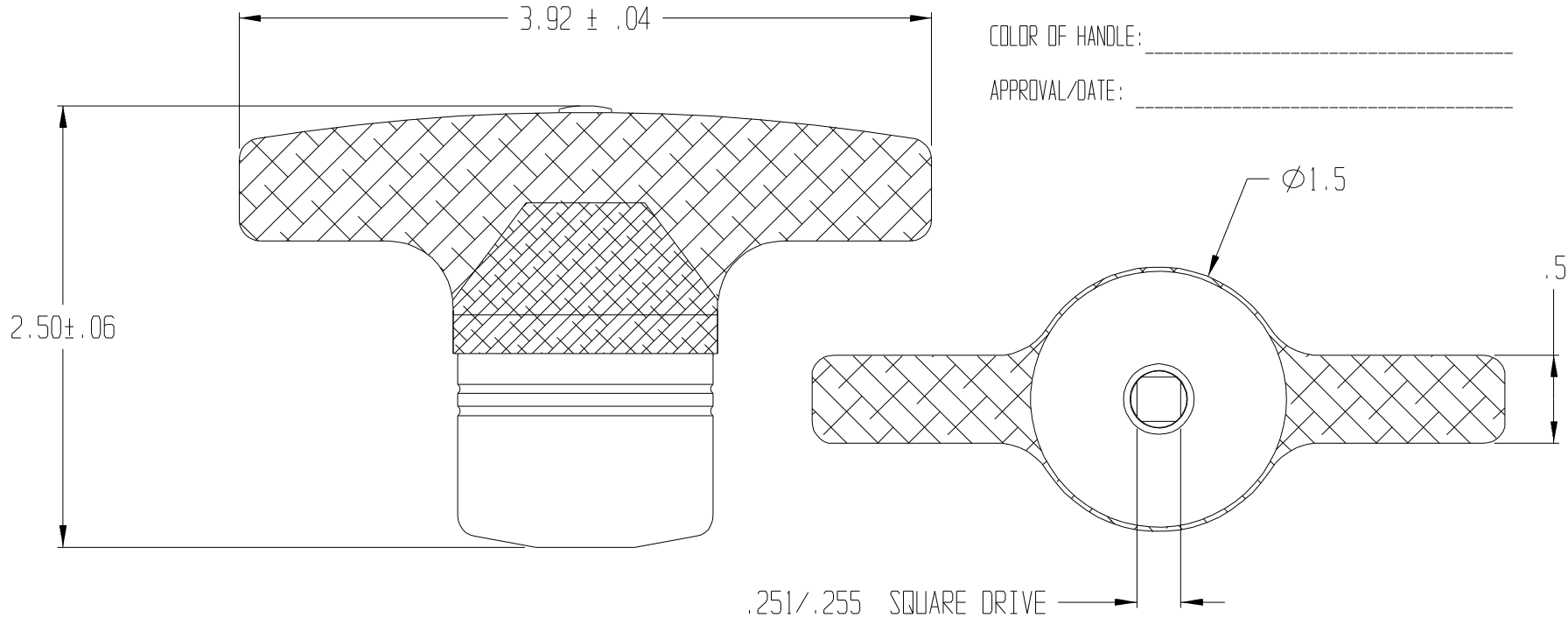
PRODUCT SPECIFICATIONS MUST BE FILLED IN AT TIME OF ORDER:

COMPLETE PART NUMBER: \_\_\_\_\_

TORQUE SETTING: \_\_\_\_\_ ±10% (110 LB-IN MAX)

COLOR OF HANDLE: \_\_\_\_\_

APPROVAL/DATE: \_\_\_\_\_



THIS DOCUMENT INCLUDING ALL DATA, SPECIFICATIONS, AND INFORMATION CONTAINED WITHIN IS CONFIDENTIAL AND PROPRIETARY TO BEERE PRECISION MEDICAL INSTRUMENTS, INC. BY RETENTION, THE RECIPIENT AGREES NOT TO REPRODUCE, DISCLOSE, OR MAKE USE OF ITS CONTENTS IN ANY WAY WITHOUT PRIOR WRITTEN PERMISSION OF AN OFFICER OF BEERE PRECISION MEDICAL INSTRUMENTS, INC.

MATERIAL	UNSPECIFIED TOLERANCES	BEERE PRECISION MEDICAL INSTRUMENTS, INC. 5307 95th AVENUE, KENOSHA, WI 53144 (262) 657-2800	
HEAT TREAT	.X +/- .020 ANGLE +/- 1° .XX +/- .010 MACHINE FINISH 32 .XXX +/- .005 .XXXX +/- .0005	TITLE ORTHO-GRIP T-HANDLE TORQUE LIMITING DRIVER	
FINISH	CONCENTRICITY .005 T. I. R. SQUARENESS .001 PER IN.	DRAWN JAR DATE 06/07/97	
	DO NOT SCALE DRAWING	SIZE A	SUPERSEDED NO. _____ DWG NO. TM101____-____(cc) REV C
REMOVE ALL BURRS	BREAK SHARP CORNERS	APPROVED _____ DATE _____	SCALE 1 : 1 ILLUSTRATION SHEET 1 OF 1
PART TO BE FREE OF DIRT, OIL, AND CONTAMINANTS			